



PL-HA119 R19 *Handmade Series* Stainless Steel Sink

Features

- Single Bowl
- Rear Offset Drain
- Handcrafted Corners
- Fitted Sound Deadening Pads
- Creases at the Bottom Promote Quick Draining



Material

- 18-Gauge Stainless Steel

Installation

- Undermount

6140 Ulmerton Road Clearwater, FL 33760

Phone: (727) 388-9895

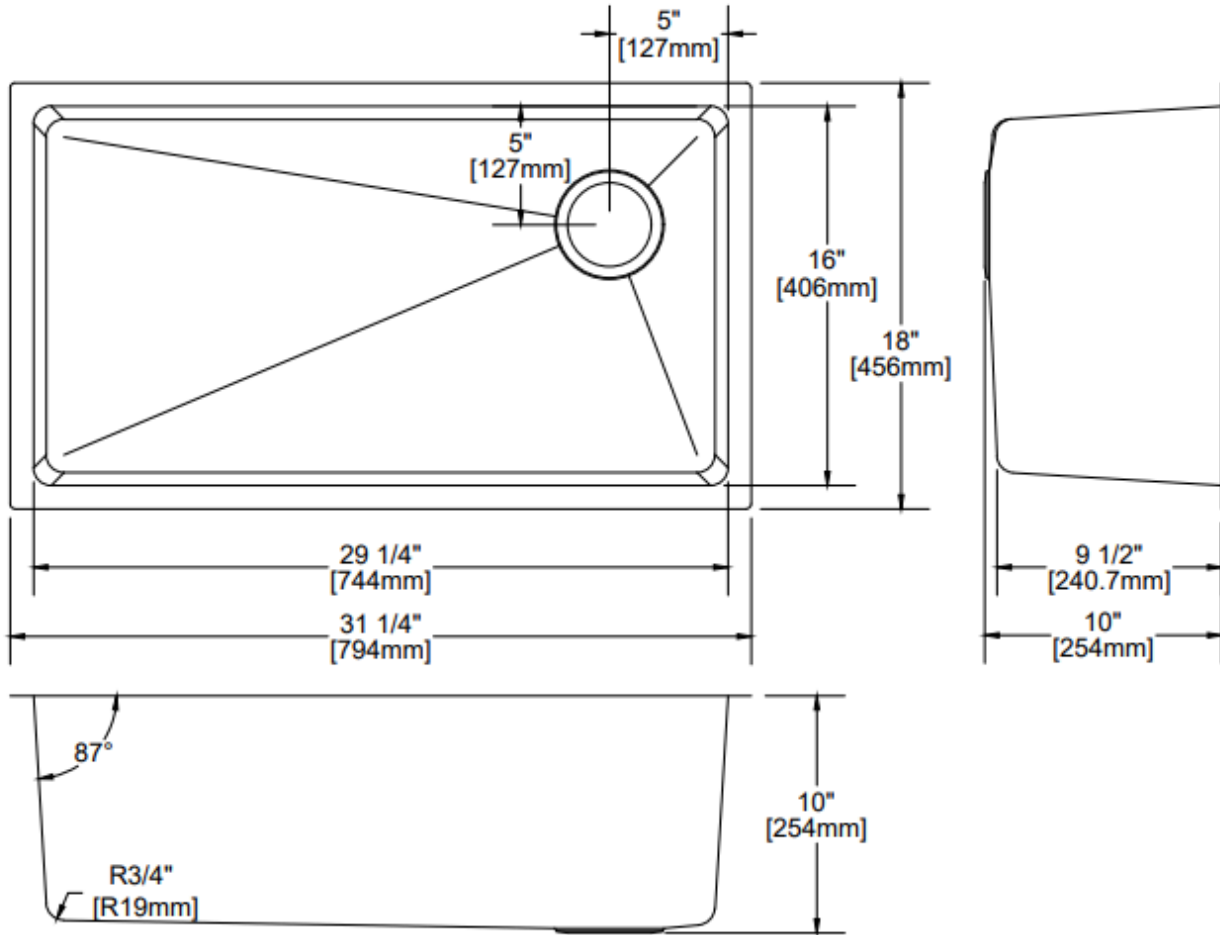
Fax: (727) 362-1281

For the most current Specification Sheet, go to www.buildpelican.com





PL-HA119 R19
Handmade Series
 Stainless Steel Sink



Technical Information

All product dimensions are nominal

Exterior Measurements: 31 1/4" x 18" x 10"

Interior Measurements: 29 1/4" x 16" x 9 1/2"

Bowl Configuration: Single

Installation Information

Install this product according to the installation instructions.

Limited Lifetime Warranty

See website for detailed warranty information.

JOB INFORMATION

JOB NAME: _____ MODEL SPECIFIED: _____ QUANTITY: _____
 DATE: _____ ARCHITECT/ENGINEER: _____
 CUSTOMER: _____ CONTRACTOR: _____

6140 Ulmerton Road Clearwater, FL 33760
 Phone: (727) 388-9895
 Fax: (727) 362-1281

For the most current Specification Sheet, go to www.buildpelican.com

