



PL-FC3318SB *Farmhouse Series* Fireclay Sink

Features

- Single Bowl
- Reversible Front Design
- Nonporous Gloss - Hygienic

Material

- Clay and Various Minerals

Installation

- Apron Front, Undermount



Available Color/Finishes Intended for reference only

Color	Description
<input type="checkbox"/>	White
<input type="checkbox"/>	Matte Grey
<input type="checkbox"/>	Matte Black

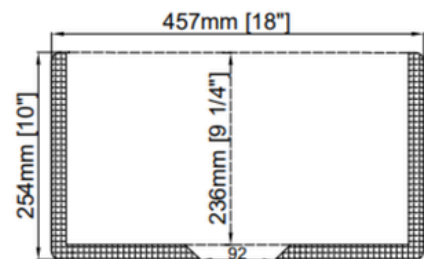
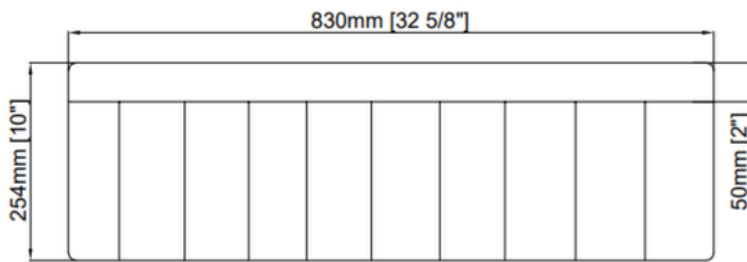
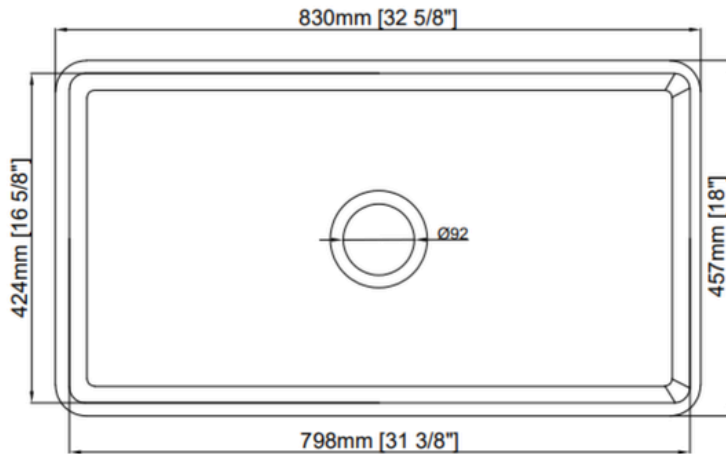
6140 Ulmerton Road Clearwater, FL 33760
Phone: (727) 388-9895
Fax: (727) 362-1281

For the most current Specification Sheet, go to www.buildpelican.com





PL-FC3318SB
Farmhouse Series
 Fireclay Sink



Technical Information

All product dimensions are nominal

Exterior Measurements: 32 5/8" x 18" x 10"

Interior Measurements: 31 3/8" x 16 5/8" x 9 1/4"

Bowl Configuration: Single

Installation Information

Pelican recommends Fireclay sinks be installed by a professional, experienced installer.

Limited Lifetime Warranty

See website for detailed warranty information.

JOB INFORMATION

JOB NAME: _____ MODEL SPECIFIED: _____ QUANTITY: _____
 DATE: _____ ARCHITECT/ENGINEER: _____
 CUSTOMER: _____ CONTRACTOR: _____

6140 Ulmerton Road Clearwater, FL 33760
 Phone: (727) 388-9895
 Fax: (727) 362-1281

For the most current Specification Sheet, go to www.buildpelican.com

