



PL-86H55S

Pressure
Balance Shower

Features

- NPT Connection
- Single Lever Handle Allows for Both On/Off Activation
- Pressure Balance Valve Exceeds Industry Longevity Standards for a Lifetime of Durable Performance
- 2.5 gal/min (9.5 l/min) Maximum Flow Rate [Max at 80 psi (5.6 bar)]
- Hot/Cold Indexing on Handle
- Flexible Supplies for Simplified Installation



Material




- Premium Metal Construction
- Finishing Resists Corrosion and Tarnishing

Installation

- Includes Valves for Installation

Available Color/Finishes

Intended for reference only

Color	Description
	Chrome
	Brushed Nickel
	Matte Black

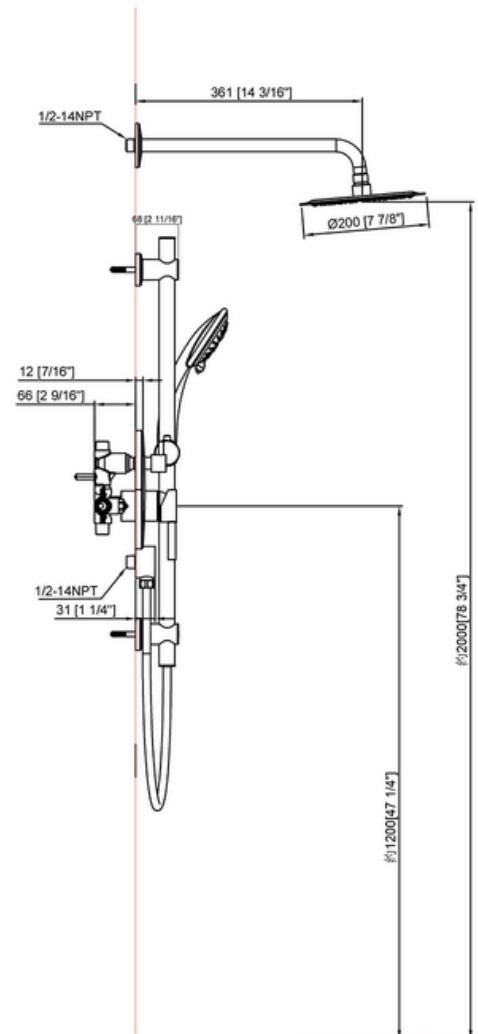
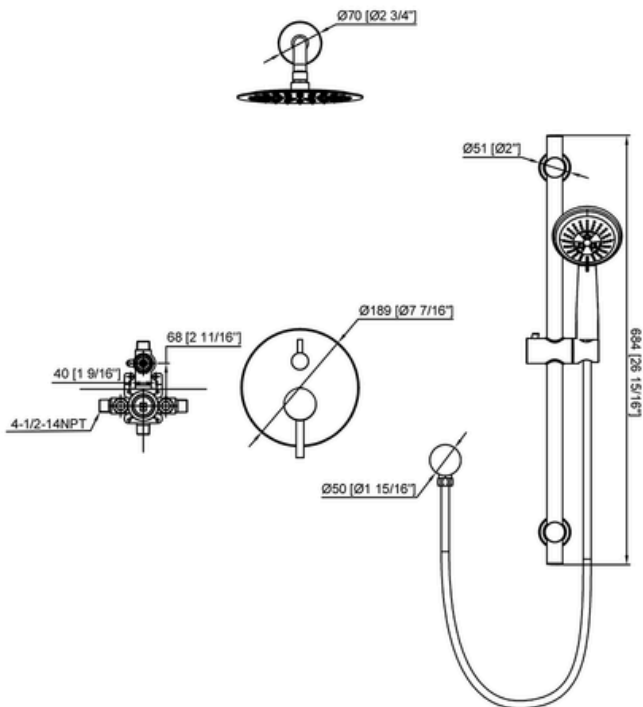
6140 Ulmerton Road Clearwater, FL 33760

Phone: (727) 388-9895

Fax: (727) 362-1281

For the most current Specification Sheet, go to www.buildpelican.com





Technical Information

All product dimensions are nominal
Spout

Shower Head Spout Reach: 14 3/16"

Faucet

Shower Flow Rate: Max 2.5 gal/min (9.5 l/min)

Pressure: 80 psi (5.6 bar)

Valve Body: Brass

Installation Information

Install this product according to the installation instructions.

Limited Lifetime Warranty

See website for detailed warranty information.

JOB INFORMATION

JOB NAME: _____ MODEL SPECIFIED: _____ QUANTITY: _____
 DATE: _____ ARCHITECT/ENGINEER: _____
 CUSTOMER: _____ CONTRACTOR: _____

6140 Ulmerton Road Clearwater, FL 33760

Phone: (727) 388-9895

Fax: (727) 362-1281

For the most current Specification Sheet, go to www.buildpelican.com