



PL-86S22S

Single Handle
Shower

Features

- 1/2-14NPT Connection
- Shower Head / Hand Shower Flow Rate: Max 2.5gpm/80psi
- Premium Metal Construction with Easy Clean Surface
- Single Lever Handle Allows for On/Off Activation
- Adjustable Temperature Limit Stop to Control Maximum Hot Water Temperature
- Hot/Cold Indexing on Handle
- Flexible Supplies for Simplified Installation





Material

- Premium Metal Construction
- Finishing Resists Corrosion and Tarnishing

Available Color/Finishes

Intended for reference only

| Color | Description |
|---|----------------|
|  | Chrome |
|  | Brushed Nickel |

Installation

- Includes Valves for Installation

6140 Ulmerton Road Clearwater, FL 33760
Phone: (727) 388-9895
Fax: (727) 362-1281

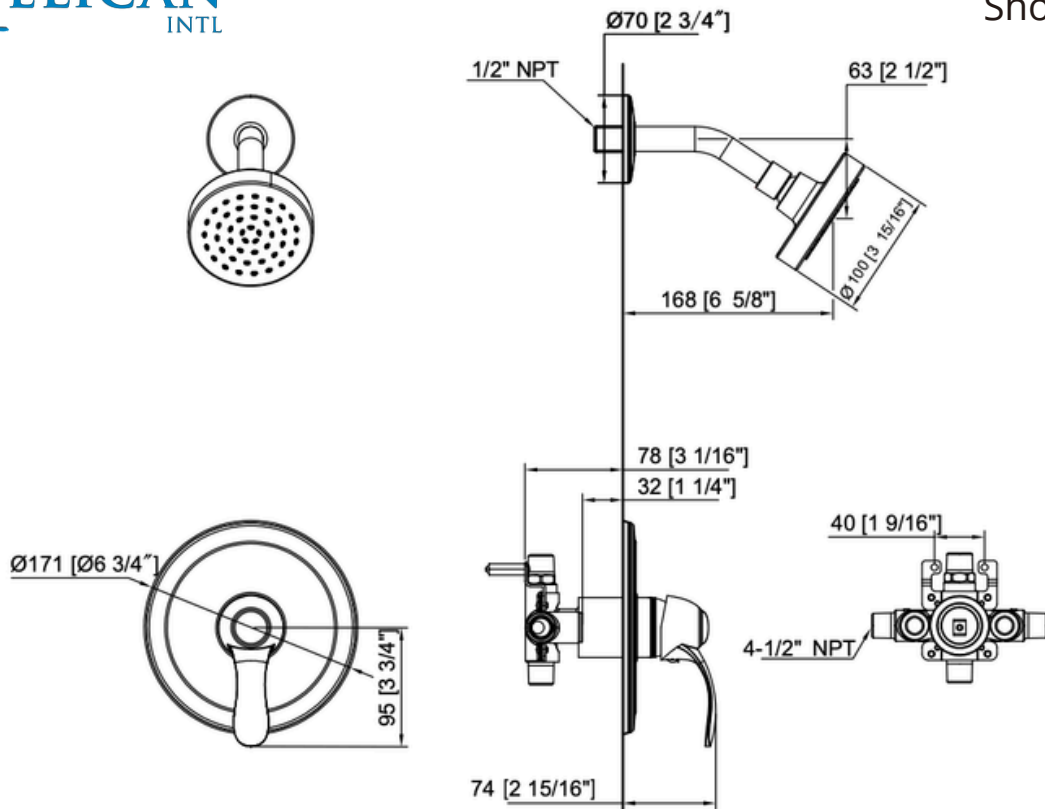
For the most current Specification Sheet, go to www.buildpelican.com





PL-86S22S

Single Handle Shower



Technical Information

All product dimensions are nominal

Valve Body: Lead Free Brass

Spout

Spout Length: 6 5/8"

Faucet

Shower Flow Rate: Max 2.5gpm / 80psi

Hand Shower Flow Rate: Max 2.5gpm / 80psi

Installation Information

Install this product according to the installation instructions.

Limited Lifetime Warranty

See website for detailed warranty information.

JOB INFORMATION

JOB NAME: _____ MODEL SPECIFIED: _____ QUANTITY: _____
 DATE: _____ ARCHITECT/ENGINEER: _____
 CUSTOMER: _____ CONTRACTOR: _____

6140 Ulmerton Road Clearwater, FL 33760
 Phone: (727) 388-9895
 Fax: (727) 362-1281

For the most current Specification Sheet, go to www.buildpelican.com

