



INSTALLATION INSTRUCTIONS

PEDESTAL SINK

PL-7201

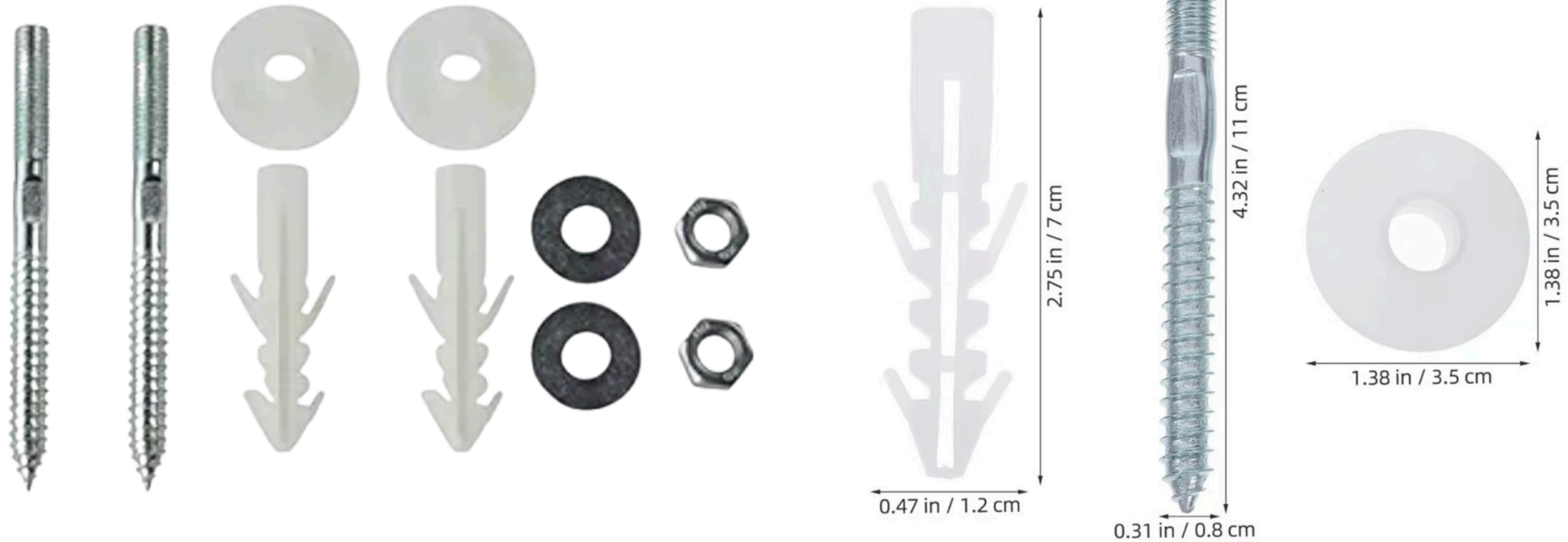
WWW.BUILDPELICAN.COM



! HARDWARE REQUIRED FOR INSTALLATION !

NOT INCLUDED - MUST PURCHASE SEPERATELY

ANCHORS & BOLTS



CODE OF PRACTICE



Structural Integrity

The Rule

The lavatory basin **MUST** be completely supported by the pedestal.

The Constraint

Never install this unit as a wall-mount, undermount, or self-rimming lavatory.



Material Safety

The Rule

Lift with a partner.

The Constraint

Vitreous ceramic can break, chip, or cause severe injury if handled carelessly during the dry fit.



Fastening Precision

The Rule

Secure until snug, then stop.

The Constraint

Never overtighten connections. Excessive torque will crack or chip the basin and pedestal.

TOOLBOX

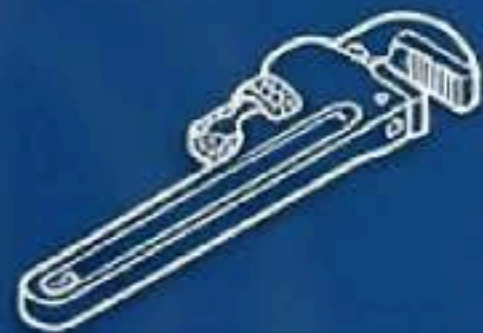
Fastening & Torque



1/2"
Combination
Wrench



9/16"
Combination
Wrench



Pipe Wrench

Carpentry & Anchoring

Common Woodworking Tools
(for installing wall backing)

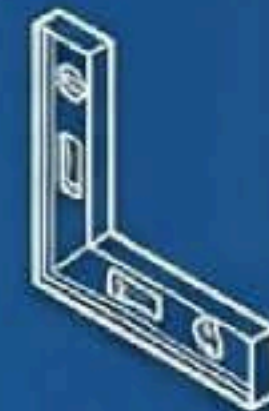


Power Drill with
3/16" Drill Bit



Lag Bolts and
Washers

Alignment & Measurement



Carpenter's Level

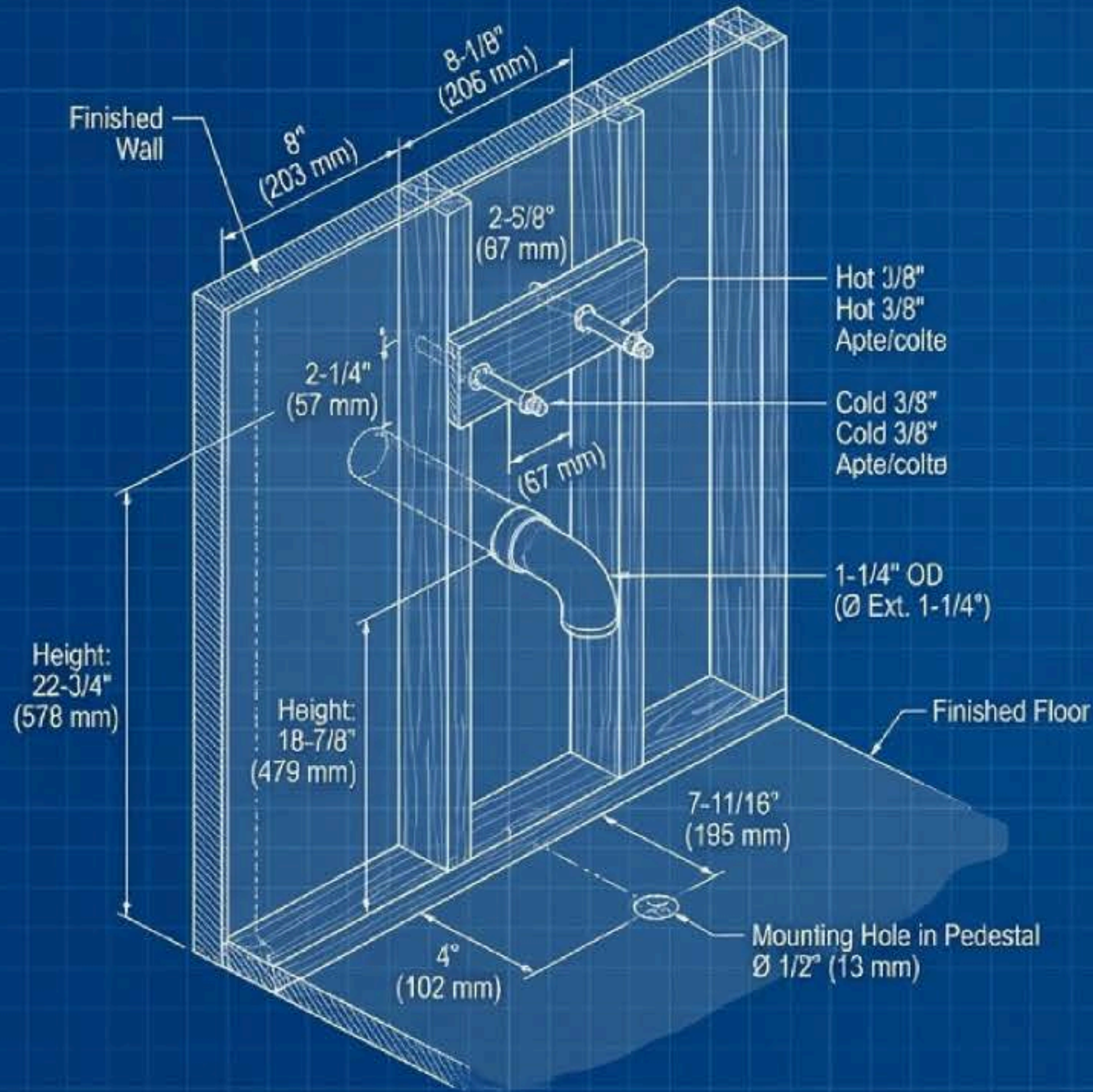


Measuring Tape



Centerline
Marker/Pencil

Anatomy of the Infrastructure (Roughing-In)



Layer 1: The Support Backing

Install sufficient wood blocking behind the finished wall to bear the lateral stabilization load.

Layer 2: The Plumbing Matrix

Hot/Cold Supplies: $\frac{3}{8}$ " lines (Height: $22\frac{3}{4}$ " from floor). Ensure supply stop handles will clear the pedestal profile.

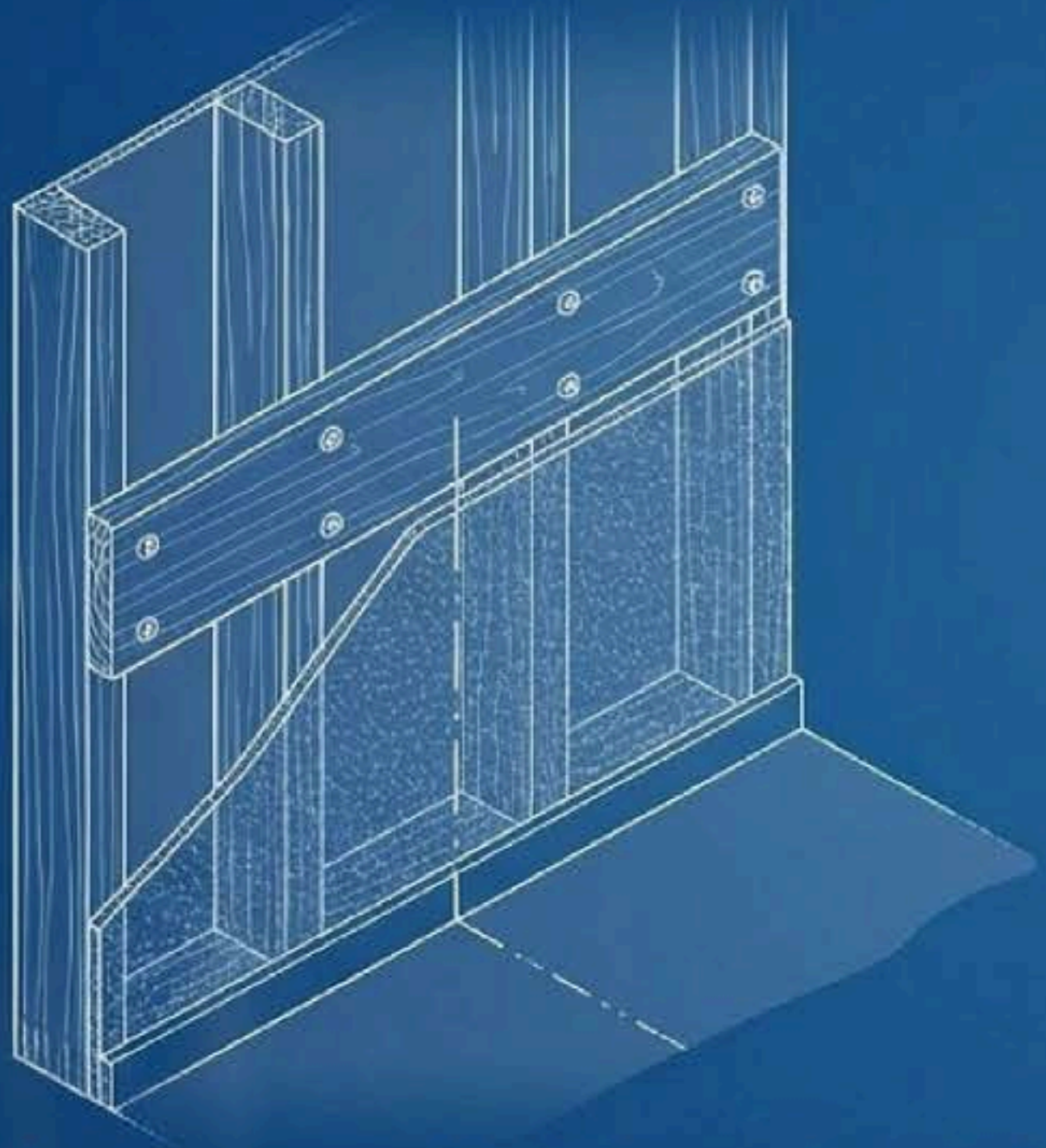
Drain Outlet: 1- $\frac{1}{4}$ " OD pipe (Height: $18\frac{7}{8}$ " from floor).

Layer 3: The Centerline

Mark the absolute centerline on the finished floor. The pedestal anchor hole will require a $\frac{1}{2}$ " clearance.

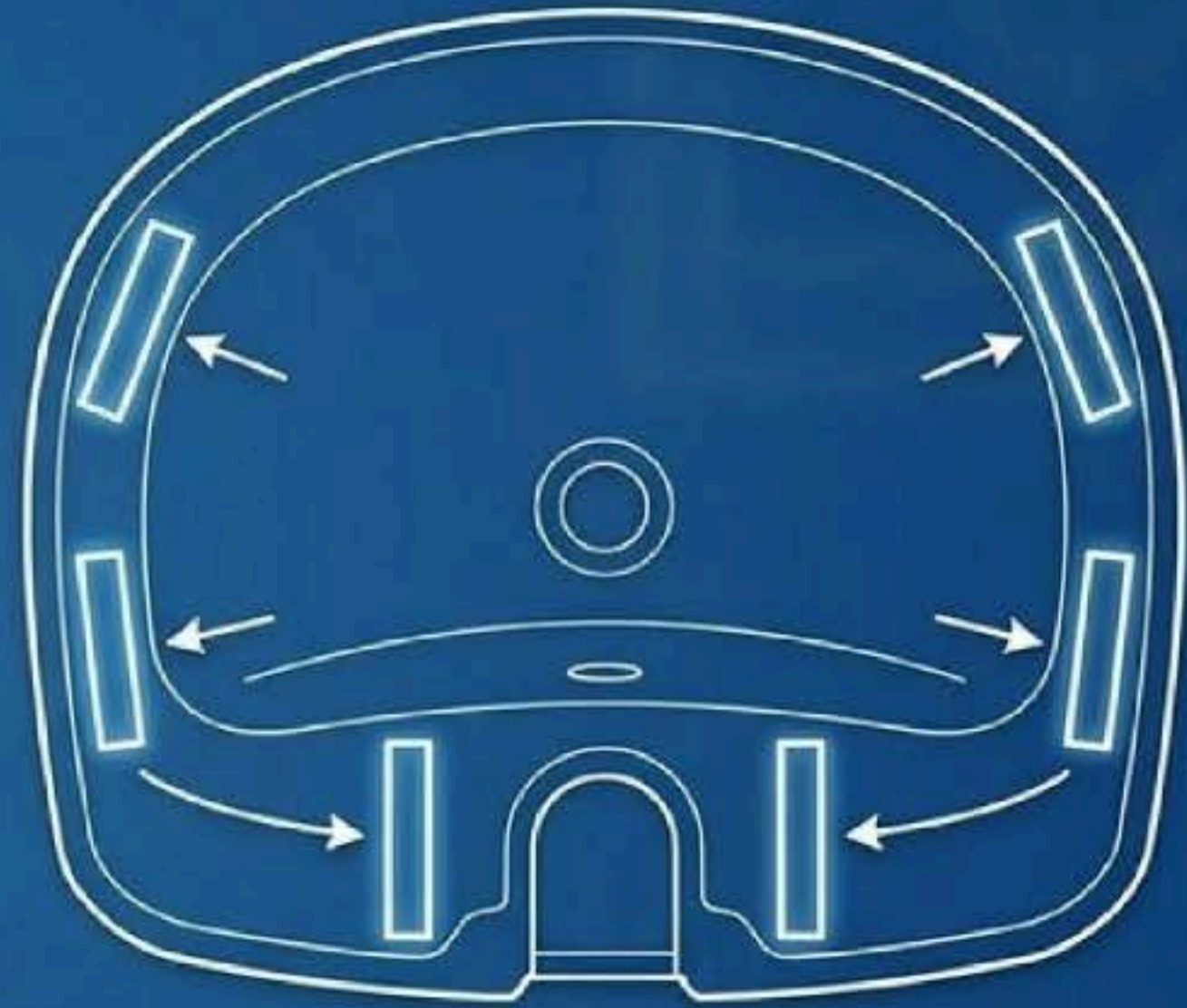
PHASE 1: PREPARING THE CANVAS

Zone A: Wall Preparation



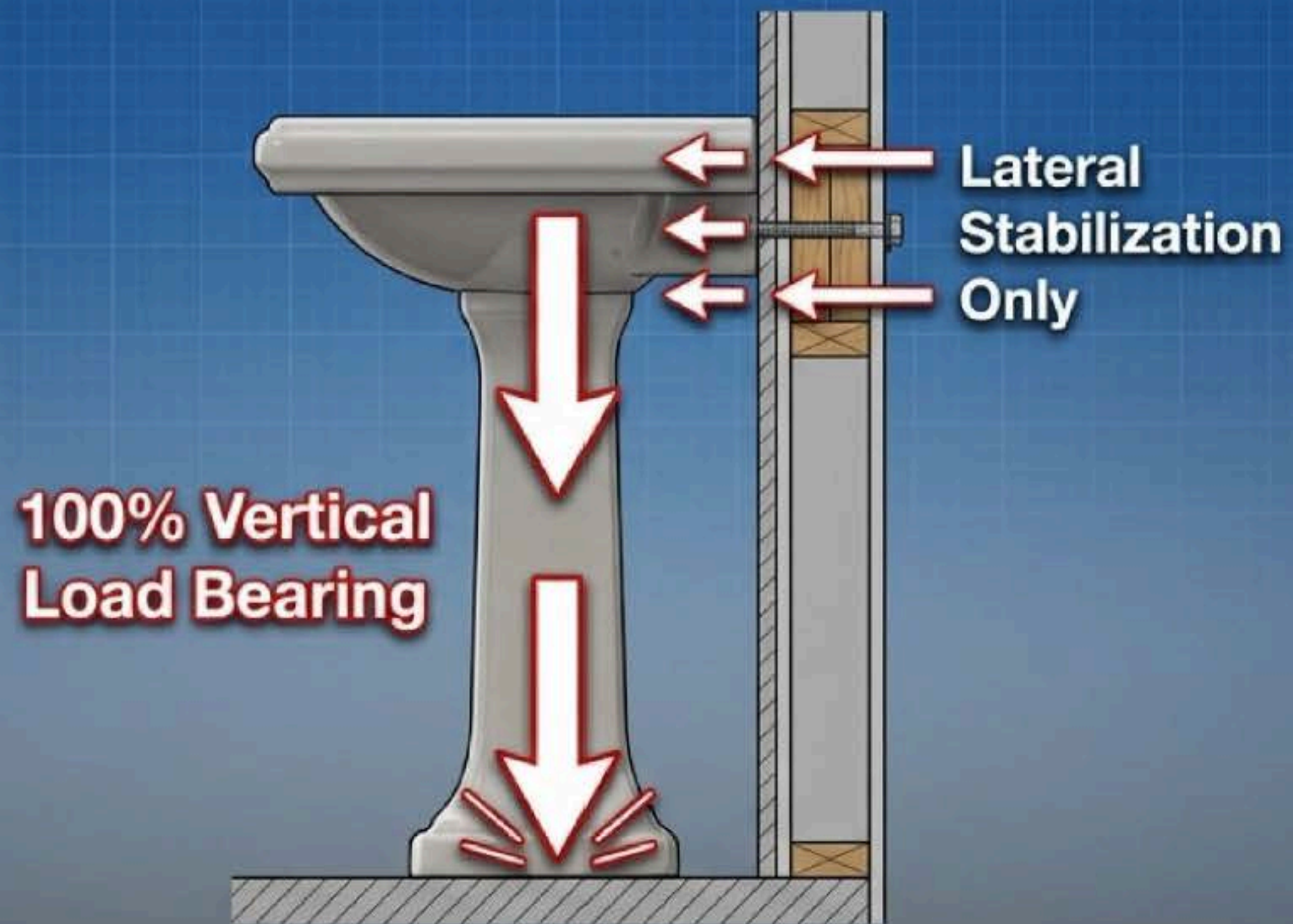
Verify backing is secure. Mark the exact centerline on the wall and floor to guide the upcoming dry fit.

Zone B: Basin Cushioning



Apply the six provided self-adhesive gaskets to the precise underside contact points. These act as a crucial buffer between the ceramic basin and the ceramic pedestal.

The Physics of the Pedestal



Key Insight: The hanger bolts in the wall do not hold the sink up; they merely hold it back. The basin must rest entirely on the pedestal foundation. Relying on wall backing for vertical support risks catastrophic structural failure.

PHASE 2: THE DRY FIT & ALIGNMENT

1

Position the Foundation

Place the pedestal precisely on the marked floor centerline.



2

Lift and Mount (Partner Required)

Carefully lift the basin and lower it onto the pedestal. Verify the ceramic is fully supported by the foundation.



3

Maneuver and Level

Slowly slide the assembly against the finished wall. Add additional self-adhesive gaskets under the basin if necessary to achieve perfect level.



4

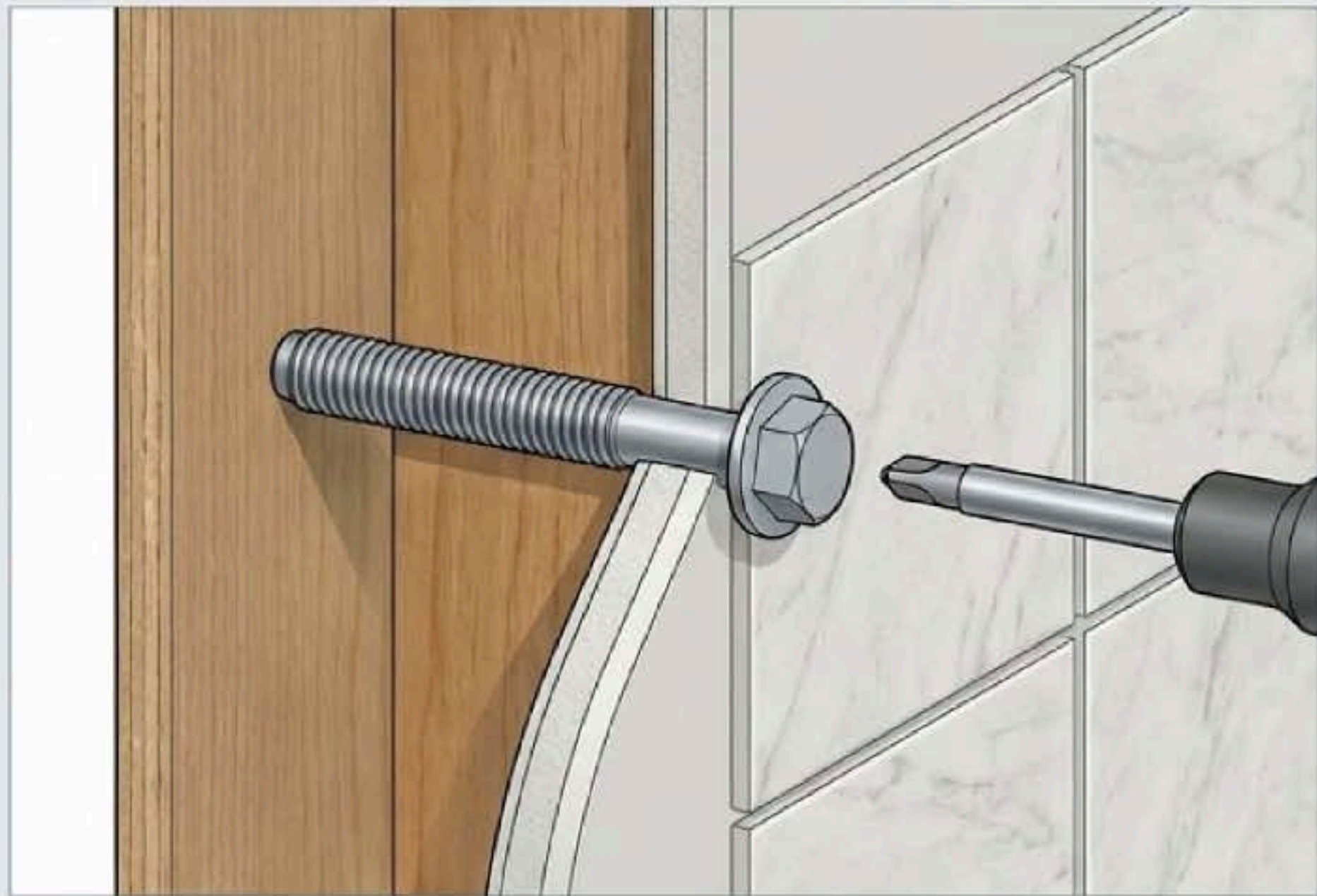
Mark the Blueprint

While a partner securely holds the basin, mark the two 1/2" basin mounting holes on the wall, and the single pedestal mounting hole on the floor. Carefully disassemble and remove the units.



PHASE 3: SETTING THE ANCHORS

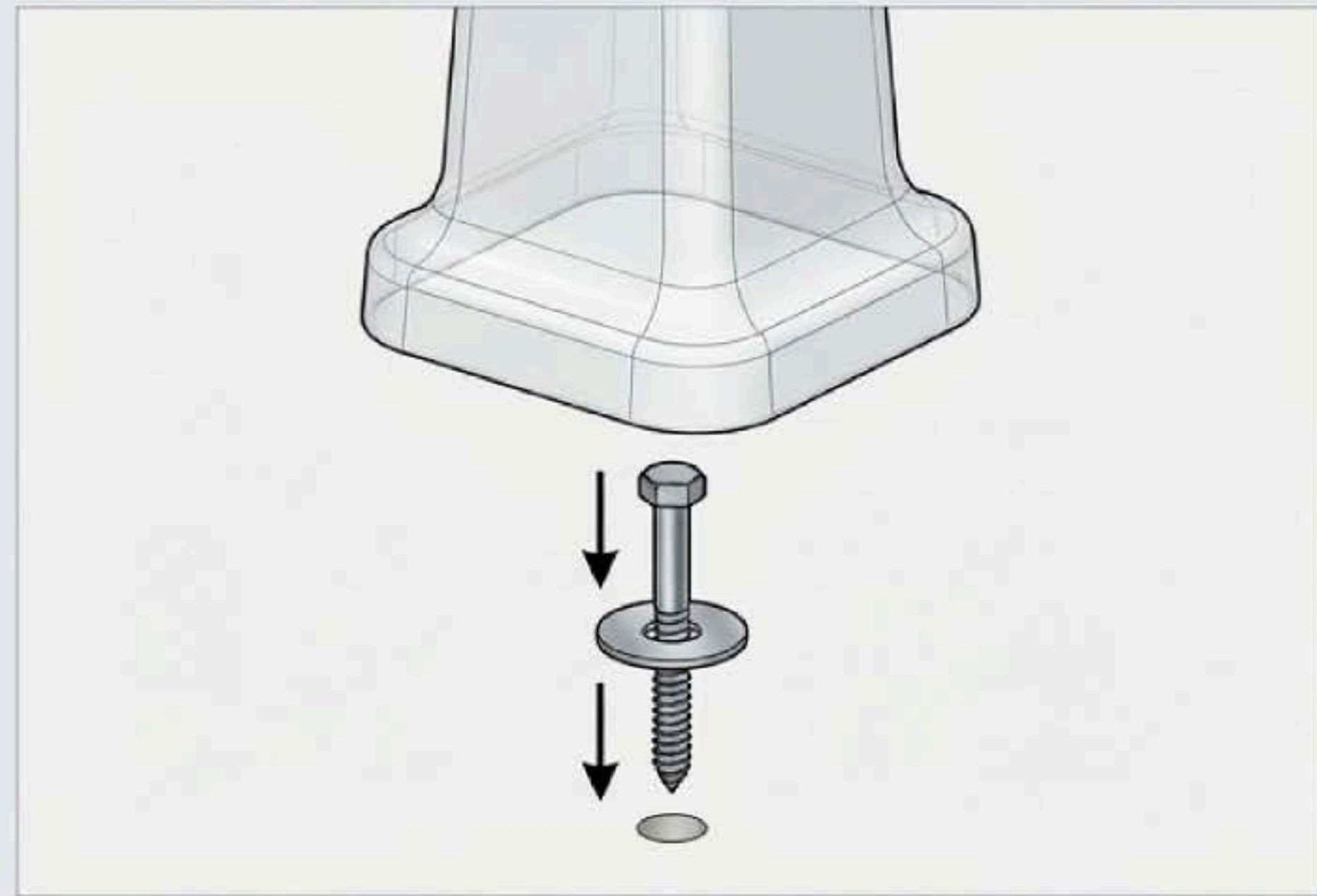
The Wall Hangers



Drill 3/16" pilot holes. Drive the hanger bolts into the backing material.

CRITICAL MEASUREMENT: The bolts **MUST** extend exactly 1-1/2" (38 mm) from the finished wall surface.

The Floor Foundation



Drill 3/16" floor pilot hole. Move pedestal into position. Secure to the floor using the lag bolt and washer. Tighten carefully.