



**Project:**  
**Item Number:**  
**Quantity:**

**FROZEN UNCARBONATED BEVERAGE DISPENSERS**



**DESCRIPTION**

Stoelting's Frozen Uncarbonated Beverage Dispensers mix and serve a variety of frozen beverages including margaritas, granitas, slushes, coffee drinks, and dairy-based products. They are the ideal choice for bars and restaurants looking for flexibility, capacity and simple operation in a compact footprint.

**WARRANTY**

For warranty information, visit [www.stoeltingfoodservice.com](http://www.stoeltingfoodservice.com).

**AGENCY LISTINGS**



PLEASE NOTE — Continuous research leads to ongoing product improvements; therefore, these specifications are subject to change without notice. Please refer to the manual or [stoeltingfoodservice.com](http://stoeltingfoodservice.com) for installation specifications.

**ITEMS**

115V Single Phase	208-230V Single Phase
<b>Air Cooled</b>	
A118-37	A118-38
A118-37-AF	A118-38-L
A118-37-L	D118-38
D118-37	D118-38-AF
D118-37-L	D118-38-L
	D118-38-L-AF
<b>Water Cooled</b>	
A118-17	A118-18
A118-17-L	A118-18-L
D118-17	D118-18
D118-17-L	D118-18-L
	D118-18-L-AF

**ACCESSORIES & OPTIONS**

- 4177349** Fill-O-Matic II Electric remote fill system
- 4177370** Fill-O-Matic III Gas remote fill system
- Lighted Door (L suffix)** LED illuminated clear window showcases drinks
- Auto Fill Ready (AF suffix)** Connect a remote fill system directly to the dispenser. Requires a remote fill system.

**FEATURES**

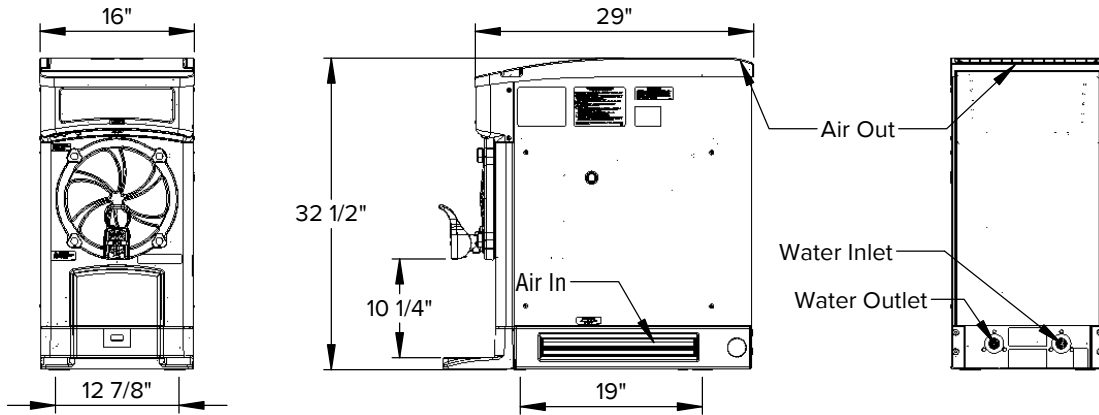
- Push/Pull self-closing handle for easy, single hand operation
- Extremely quiet, lowest decibel level in industry
- Base tray accommodates full-size, 32 oz. pitcher
- Large capacity, high volume drink production
- Can be configured to serve a variety of drinks
- Compact design requires zero clearance at the back, sits flush to the wall to allow for optimal countertop usage
- Customizable illuminated billboard space
- Available in air-cooled or water-cooled
- Mix level indicator
- Single switch for simple operation and cleaning
- Integrated hopper cover prevents spills in the hopper
- Torque cutoff prevents freeze-up
- 6 ft. (182.9 cm) cord with plug

**STOELTING**  
 WHITE GLOVE SERVICE NETWORK  
 All machines include Stoelting's White Glove Service.  
 For assistance call 800-319-9549.

Approvals	Date

# FROZEN UNCARBONATED BEVERAGE DISPENSERS

## DIMENSIONS



## GENERAL SPECIFICATIONS

Item	Freezing Cylinder				Hopper Capacity gallon (L)	Drive Motor (hp)	Weight lb (kg)	Crated Weight lb (kg)
	Capacity gallon (L)	Btu/hr	Refrigerant	Charge (oz)				
A118	2 (7.57)	4,500	R-448A	A/C: 24 W/C: 18	5 (18.9)	1/7	210 (95.3)	232 (105.2)
D118	2 (7.57)	8,000	R-448A	A/C: 24 W/C: 18	5 (18.9)	1/7	210 (95.3)	240 (108.9)

- Indoor use only.
- Maximum ambient temperature: 100°F (37.8°C).
- Requires a dedicated electrical circuit.
- Power cord provided.
- Air cooled units require: 3" (7.6 cm) air space on both sides.
- Water cooled units require: 1/2" N.P.T. water and drain fittings
- Details on CAD Revit Symbols Libraries are available on [stoelting.klclcad.com](http://stoelting.klclcad.com)

## ITEM NUMBER SPECIFICATIONS

Model Number	Cooling	Phase	Volts	Hz	Running Amps	Cord with Plug (Included)	Lighted Door	Auto Fill Ready
A118-37	Air	1	115	60	10.2	NEMA 5-20P	—	—
A118-37-AF							—	✓
A118-37-L							✓	—
A118-38	Air	1	208-240	60	7.8	NEMA 6-20P	—	—
A118-38-L							✓	—
A118-17	Water	1	115	60	10.2	NEMA 5-20P	—	—
A118-17-L							✓	—
A118-18	Water	1	208-240	60	7.8	NEMA 6-20P	—	—
A118-18-L							✓	—
D118-37	Air	1	115	60	13.5	NEMA L5-30P	—	—
D118-37-L							✓	—
D118-38	Air	1	208-240	60	8.6	NEMA 6-20P	—	—
D118-38-AF							—	✓
D118-38-L							✓	—
D118-38-L-AF							✓	✓
D118-17	Water	1	115	60	13.5	NEMA L5-30P	—	—
D118-17-L							✓	—
D118-18	Water	1	208-240	60	8.6	NEMA 6-20P	—	—
D118-18-L							✓	—
D118-18-L-AF							✓	✓