

MOBILE ICE CREAM FREEZERS

MODEL: MXF31F MXF52F MXF71F



MXF31F



MXF52F



MXF71F

Mobile Ice Cream Freezers with transparent, flat glass sliding lids offer an attractive way to display, store or serve frozen product. Perfect for ice cream parlors, sorbet shops, restaurants, and concession stands that can hold up to 2, 4 and 5 baskets of hand dipped ice cream or novelties. The glass top allows customers to easily view and choose frozen product.

FEATURES AND CONSTRUCTION

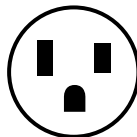
- Exterior Material: durable, white powder coated steel
- Interior Material: white powder coated white steel
- Flat coated wire baskets with 3 compartments each
- Insulation: 2.5" foamed in-place polyurethane
- Flat, tempered clear glass sliding lids
- Lock and key set with removable pin
- Interior LED lighting enhances product's appearance
- Heated molded plastic lid frame prevents frost build-up
- Internal condensate evaporator pan, no floor drain needed
- Bottom defrost drain with plug
- Four (4) or six (6) heavy-duty casters, two (2) with brakes
- Removable rubber bumper guards, grill side
- Plastic frost scraper included

NET STORAGE CAPACITY (Cu Ft / Included Baskets)

MXF31F	5.8 Cu Ft / 2 Baskets
MXF52F	11 Cu Ft / 4 Baskets
MXF71F	16 Cu Ft / 5 Baskets

ELECTRIC

115V / 60Hz / 1Ph
 International voltage available
 6' (2m) NEMA 5-15P cord set included



NEMA 5-15P

3RD PARTY APPROVALS



Intertek

Certified to ANSI NSF 7



Intertek

Certified to ANSI UL 471



DOE 2017 Compliant

MAXX COLD WARRANTY (USA / CANADA)

Contact Maxx Cold for warranty statement at
 TechnicalServices@TheLegacyCompanies.com or 877.368.2797

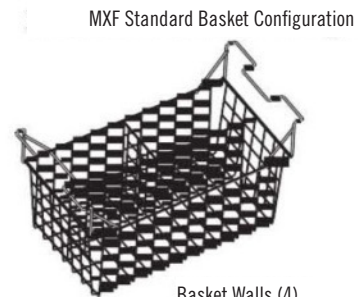
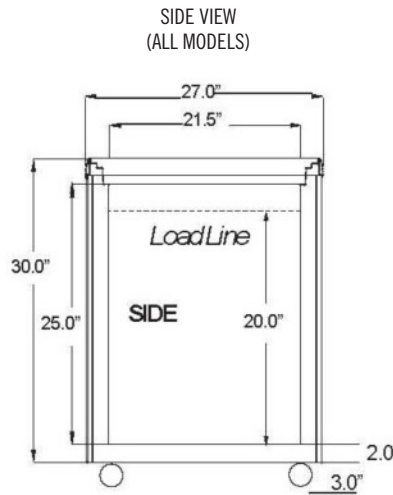
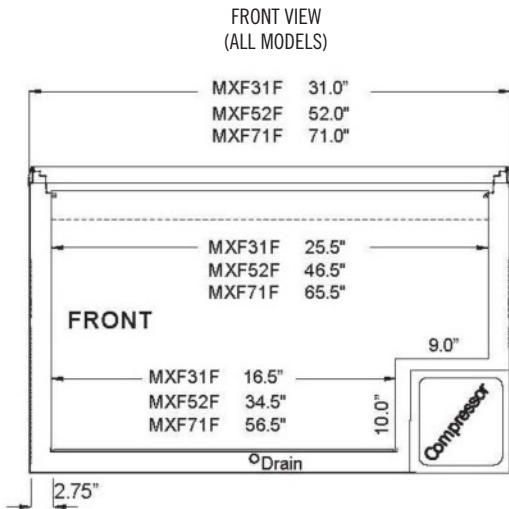
TEMPERATURE

Holding temperature -18°F to +10°F (-28°C to -12°C)

- Digital controls and reliable cold wall system deliver consistent, easily adjustable temperature performance

OPTIONAL ACCESSORIES (Sold Separately)

- Zeroll® scoops & spades
- Gelato pans
- Gelato pan holders
- Double 3-gallon tub hanging baskets with skirt



- MXF Standard Basket Configuration**
- Basket Walls (4)
11.3"W x 22.6"D x 13.3"H
 - Vertical Fixed Divider (1)
19.6"D x 8.3"H
 - Horizontal Fixed Half Divider (1)
5.6"W x 8.3"H

MODEL	EXTERNAL DIMENSIONS	INTERNAL DIMENSIONS	GROSS CUBIC FEET	NET CAPACITY	HOLDING TEMPERATURE RANGE	AMP DRAW	COMP. HP	SHIPPING WEIGHT	UNIT WEIGHT	REFRIGERANT AND CHARGE SIZE	BASKETS	ELECTRICAL
MXF31F	31.5" x 27.2" x 50.4" (800 x 690 x 1280 mm)	25.5" x 21.5" x 26.5" (648 x 546 x 673 mm)	7.5	5.8 Cu Ft (164 L)	-18°F to 10°F (-28°C to -12°C)	1.3A	1/7+	130 lbs (59 kg)	117 lbs (53 kg)	R290 2.65 oz (75 g)	2	115V / 60Hz / 1Ph
MXF52F	51.7" x 27.2" x 50.4" (1313 x 690 x 1280 mm)	40" x 25.2" x 13.9" (1017 x 639 x 353 mm)	14.0	11 Cu Ft (312 L)	-18°F to 10°F (-28°C to -12°C)	2.0A	1/4+	179 lbs (81 kg)	162 lbs (73 kg)	R290 3.6 oz (102 g)	4	115V / 60Hz / 1Ph
MXF71F	70" x 27.2" x 50.4" (1778 x 690 x 1280 mm)	52" x 25.2" x 13.9" (1320 x 639 x 353 mm)	20.0	16 Cu Ft (453 L)	-18°F to 10°F (-28°C to -12°C)	4.1A	1/2	219 lbs (99 kg)	197 lbs (89 kg)	R290 4.76 oz (135 g)	5	115V / 60Hz / 1Ph