

SOLID TOP CHEST FREEZERS

MODEL: MXSH9.6SHC MXSH12.7SHC MXSH15.9SHC



MXSH9.6SHC



MXSH12.7SHC



MXSH15.9SHC

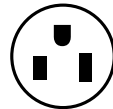
Maxx Cold Select Series Chest Freezers with a solid hinged lid top is ideal for safely storing frozen food products such as meat, packaged foods, ice cream, vegetables, desserts and bagged ice. Interior storage basket(s) allow you to organize your products and quickly retrieve what you need. The oversized refrigeration system keeps your products safely stored even in extreme low or high ambient temperatures.

FEATURES AND CONSTRUCTION

- White powder coated steel exterior and aluminum interior
- Locking hinged top lid with integrated handle
- Environmentally friendly, CFC-free urethane foam insulation helps store contents safely for up to 2 days in the event of a power outage
- Equipped with one (1) or two (2) heavy-duty coated wire storage basket(s)
- Equipped four (4) with 1.3" rollers for mobility
- Adjustable wire shelves (one per section/door)
- Integrated condensate evaporator pan eliminates the need for a floor drain connection
- Manual defrost

ELECTRIC

115V / 60Hz / 1Ph
 (230V / 50-60Hz / 1Ph is available as an option)
 6' (2m) NEMA 5-15P cord set included



NEMA 5-15P

3RD PARTY APPROVALS



Intertek

Certified to ANSI NSF 7



Intertek

Certified to ANSI UL 471



DOE 2017 Compliant

MAXX COLD WARRANTY (USA / CANADA)

Contact Maxx Cold for warranty statement at
 TechnicalServices@TheLegacyCompanies.com or 877.368.2797

TEMPERATURE

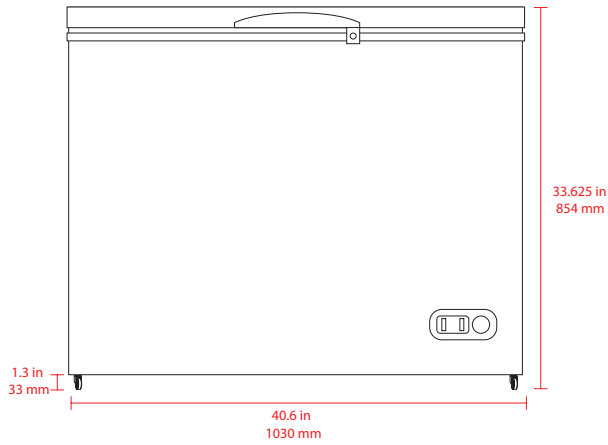
Holding temperature -11.2°F to -1°F (-24°C to -18°C)

- Efficient, cold wall system delivers even temperature regulation throughout the storage compartment
- Easily adjustable control system
- Oversized refrigeration and efficient foam insulation provides rapid recovery and excellent temperature regulation

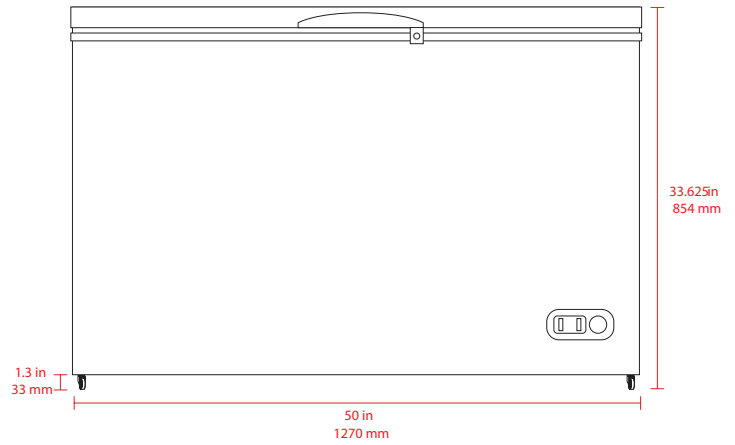
MAXX COLD SOLID TOP CHEST FREEZERS

SELECT SERIES

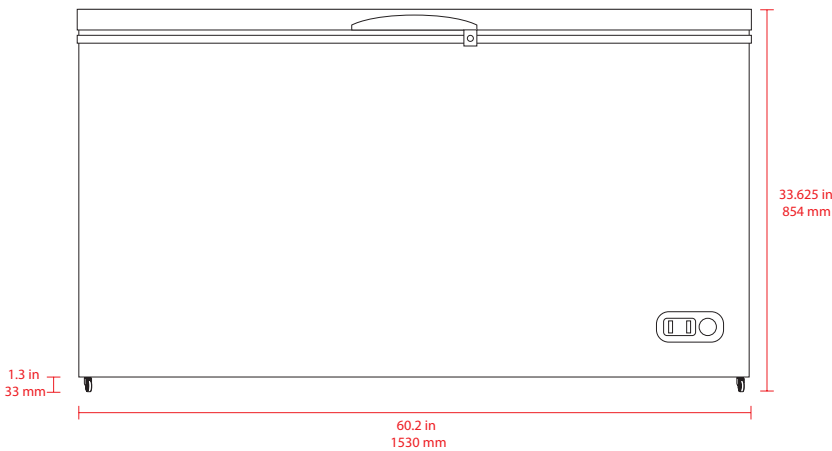
MXSH9.6SHC



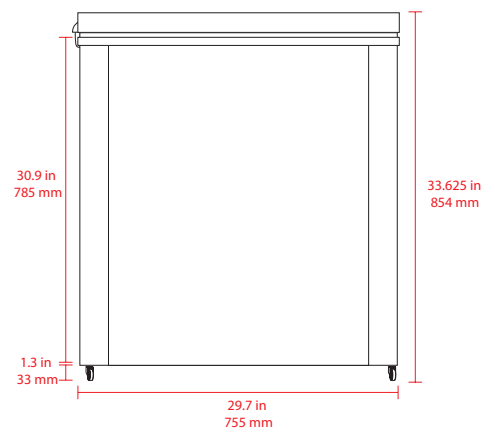
MXSH12.7SHC



MXSH15.9SHC



SIDE VIEW
(ALL MODELS)



MODEL	EXTERNAL DIMENSIONS	INTERNAL DIMENSIONS (W x D x H / Compressor Height)	CAPACITY	HOLDING TEMPERATURE RANGE	AMP DRAW	SHIPPING WEIGHT	REFRIGERANT AND CHARGE SIZE	LIDS/BASKETS	ELECTRICAL
MXSH9.6SHC	40.6" x 29.7" x 33.625" 1030 x 755 x 854 mm	34.64 x 19.72 x 26.58 / 10.24 880 x 501 x 675 / 260 mm	9.6 Cu Ft (272 L)	-11.2°F to -1°F (-24°C to -18°C)	1.5A	136.7 lbs (62 kg)	R-600a 2.65 oz (75 g)	1 / 1	115V / 60Hz / 1Ph
MXSH12.7SHC	50" x 29.7" x 33.625" 1270 x 755 x 854 mm	44.10 x 19.72 x 26.58 / 10.24 1120 x 501 x 675 / 260 mm	12.7 Cu Ft (360 L)	-11.2°F to -1°F (-24°C to -18°C)	1.5A	152.1 lbs (69 kg)	R-600a 3.0 oz (85 g)	1 / 1	115V / 60Hz / 1Ph
MXSH15.9SHC	60.2" x 29.7" x 33.625" 1530 x 755 x 854 mm	54.33 x 19.72 x 26.58 / 10.24 1380 x 501 x 675 / 260 mm	15.9 Cu Ft (450 L)	-11.2°F to -1°F (-24°C to -18°C)	2.6A	185.2 lbs (84 kg)	R-290a 3.2 oz (91 g)	1 / 2	115V / 60Hz / 1Ph

INSTALLATION

- Unit may be installed in a non-air conditioned space such as a garage or basement without effecting performance