



Project Name: _____

Location: _____

Item #: _____ Qty: _____

Model: _____

INTELLIGENT SERIES SELF-CONTAINED ICE MACHINES

MODEL: MIM200N MIM200NH MIM260N MIM260NH



Maxx Ice Intelligent Series self-contained, air-cooled ice machines are perfect for any free-standing or built-in application. Available in both full or half dice cubes, each unit features a sanitary self-contained storage bin. The durable stainless steel and black trim exterior is easy to clean and service. The digital controls and front-breathing design with vertical evaporator will deliver years of reliable ice production.

FEATURES AND CONSTRUCTION

- Stainless steel, black trim exterior
- Air-cooled compressor
- Programmable, user-friendly digital controls
- Digital screen displays ice machine status
- Automatic cleaning cycle and bin overflow prevention
- Internal blue LED light
- 6" adjustable leveling legs
- Includes ice scoop with internal scoop holder
- Antimicrobial agent within polyethylene storage bin liner for improved sanitation

DAILY ICE PRODUCTION

Air Temp 70°F (21°C) / Water Temp 50°F (10°C)

MIM200N/NH	199 lbs (90 kg)
MIM260N/NH	265 lbs (120 kg)

Air Temp 90°F (32°C) / Water Temp 70°F (21°C)

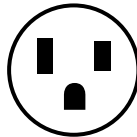
MIM200N/NH	153 lbs (70 kg)
MIM260N/NH	217 lbs (99 kg)

ICE BIN STORAGE CAPACITY

MIM200N/NH	75 lbs (34 kg)
MIM260N/NH	75 lbs (34 kg)

ELECTRIC

115V / 60Hz / 1Ph
(230V / 50-60Hz / 1Ph is available as an option)
6' (2m) NEMA 5-15P cord set included



NEMA 5-15P

3RD PARTY APPROVALS



Certified to ANSI NSF 12



Certified to ANSI UL 563



DOE 2018 Compliant



Zero Ozone Depletion Potential

MAXX ICE WARRANTY (USA / CANADA)

Contact Maxx Ice for warranty statement at
TechnicalServices@TheLegacyCompanies.com or 877.368.2797

OPERATING REQUIREMENTS

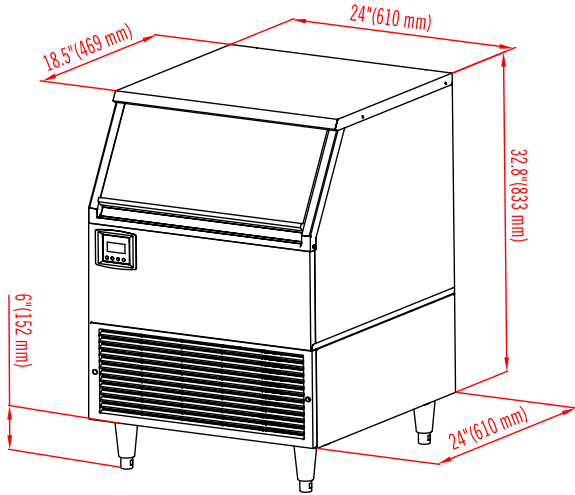
Ambient Air Temperature Range..... 50° to 100°F (10° to 38°C)
 Water Temperature Range 41° to 90°F (5° to 32°C)
 Water Usage per 100 lbs of ice..... 13.3 Gallons (50L)
 Water Supply Line Connection 3/8" FPT
 Water Pressure Range:

Min PSI..... 15	Max PSI 80*
Min Bar 1.0	Max Bar 5.5

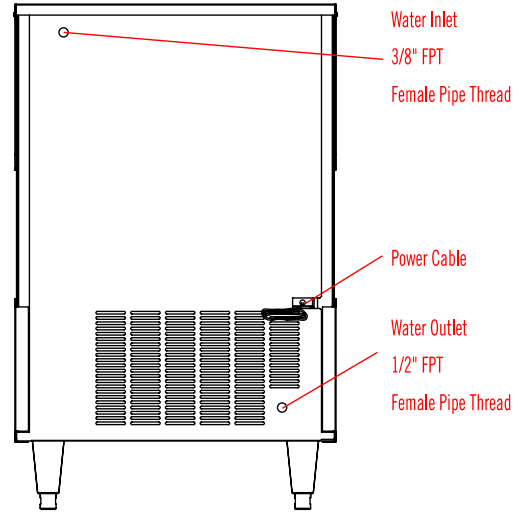
*Above 80 PSI requires a regulator

Energy Consumption per 100 lbs of ice:

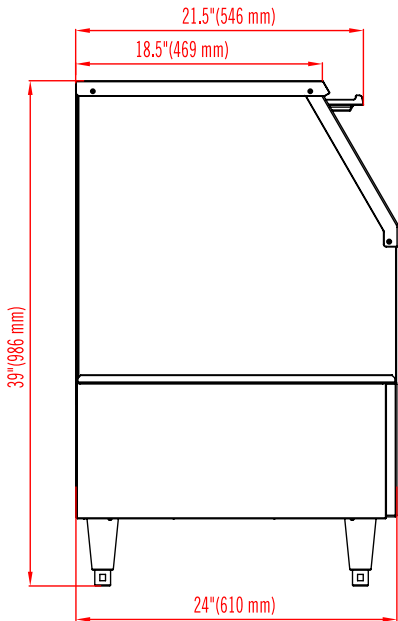
MIM200N/NH	8.17 kWh/100 lbs
MIM260N/NH	7.15 kWh/100 lbs



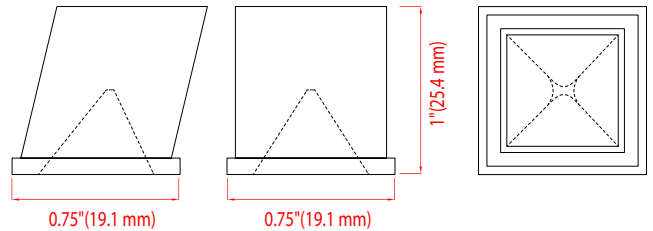
REAR VIEW



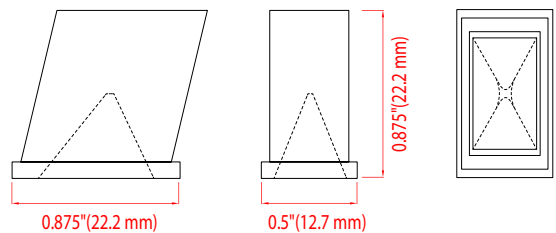
SIDE VIEW



FULL DICE CUBE (N MODELS)



HALF DICE CUBE (NH MODELS)



MODEL	EXTERNAL DIMENSIONS	DAILY ICE PRODUCTION (70°F Air / 50°F Water)	ICE BIN STORAGE CAPACITY	NET WEIGHT / SHIPPING WEIGHT	AMP DRAW (MAKING / HARVESTING)	REFRIGERANT AND CHARGE SIZE	ELECTRICAL
MIM200N/NH	24" x 24" x 39" (610 x 610 x 986 mm)	199 lbs (90 kg)	75 lbs (34kg)	141 lbs (64 kg) 157 lbs (71.5 kg)	7A / 7.4A	R-404a 8.11oz (230g)	115V / 60Hz / 1Ph
MIM260N/NH	24" x 24" x 39" (610 x 610 x 986 mm)	265 lbs (120 kg)	75 lbs (34kg)	144 lbs (65 kg) 160 lbs (72.5 kg)	7.1A / 9.8A	R-404A 10.6oz (300g)	115V / 60Hz / 1Ph

INSTALLATION

- A clearance of 2" from the wall is recommended to promote adequate cooling air circulation
- A gravity drain line is required to install this ice machine
- For optimal performance, the use of a water filter is recommended