



Project Name: _____

Location: _____

Item #: _____ Qty: _____

Model: _____

30" MODULAR ICE MACHINES

MODEL: MIM1000



Maxx Ice modular, air-cooled ice machines are designed for high volume ice production application. The modular units are compatible with most ice storage bins and beverage dispensers. Available in both full or half dice cubes, these units feature a stainless steel exterior for easy cleaning and superior durability. The vertical evaporator and proven ice making technology will deliver years of reliable ice production.

FEATURES AND CONSTRUCTION

- Stainless steel exterior
- Air-cooled compressor
- Automatic cleaning cycle
- Units are stackable for increased ice production (optional adapter is required)

DAILY ICE PRODUCTION

Air Temp 70°F (21°C) / Water Temp 50°F (10°C)	
MIM1000H.....	1000 lbs (454 kg)
Air Temp 90°F (32°C) / Water Temp 70°F (21°C)	
MIM1000.....	800 lbs (362 kg)

OPERATING REQUIREMENTS

Ambient Air Temperature Range.....	50° to 100°F (10° to 38°C)		
Water Temperature Range	41° to 90°F (5° to 32°C)		
Water Usage per 100 lbs of ice.....	16 Gallons (60.6L)		
Water Supply Line Connection	3/8" FPT		
Water Pressure Range:			
Min PSI.....	15	Max PSI	80*
Min Bar	1.0	Max Bar.....	5.5
*Above 80 PSI requires a regulator			
Energy Consumption per 100 lbs of ice:			
MIM1000.....	5.8 kWh/100 lbs		



Designed to fit with the Maxx Ice MIB400 and MIB580 Bins (sold separately)

ELECTRIC

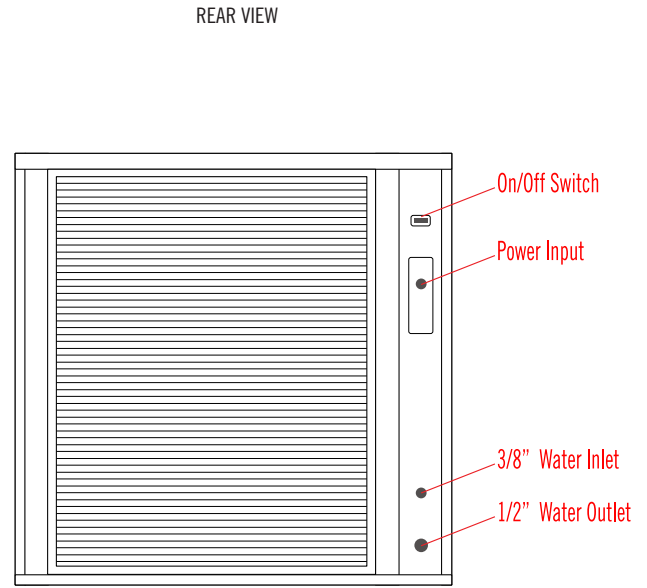
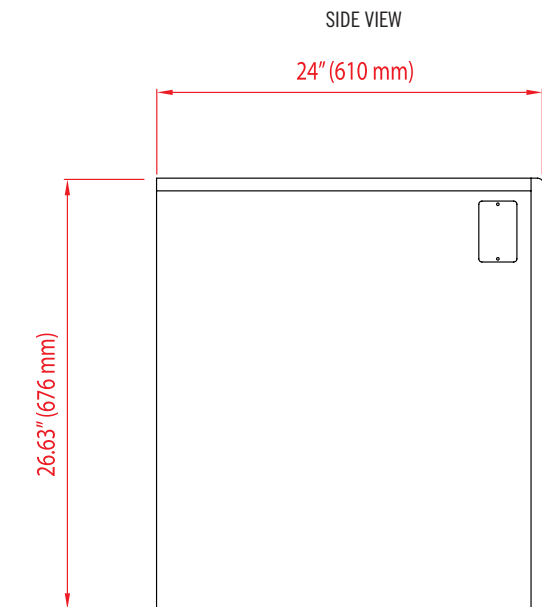
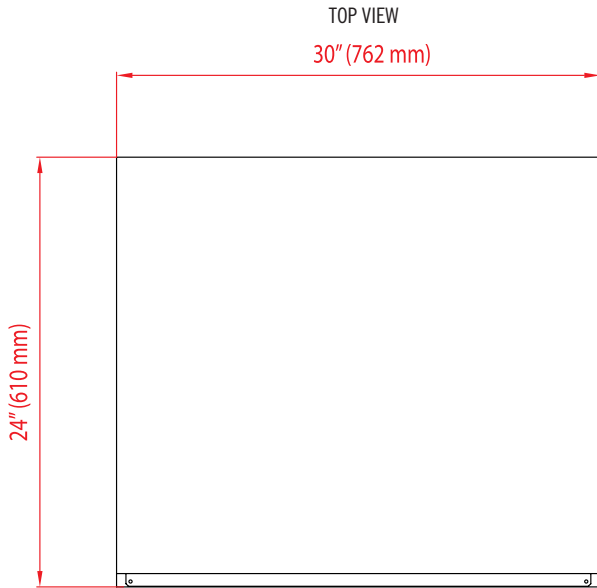
208-230V / 60Hz / 1Ph
International voltage available
Hard-wired installation is required

3RD PARTY APPROVALS

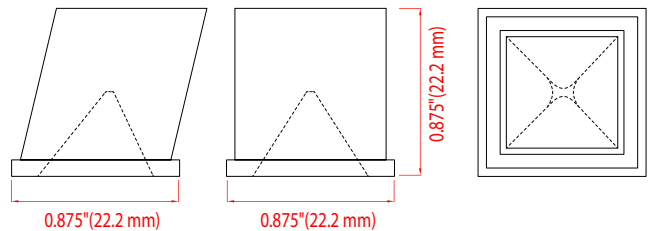


MAXX ICE WARRANTY (USA / CANADA)

Contact Maxx Ice for warranty statement at
TechnicalServices@TheLegacyCompanies.com or 877.368.2797



FULL DICE CUBE (MIM1000)



MODEL	EXTERNAL DIMENSIONS	DAILY ICE PRODUCTION (70°F Air / 50°F Water)	COMPATIBLE MAXX ICE STORAGE BINS	NET WEIGHT / SHIPPING WEIGHT	AMP DRAW (MAKING / HARVESTING)	REFRIGERANT AND CHARGE SIZE	ELECTRICAL
MIM1000	30" x 24" x 26.63" (762 x 610 x 676 mm)	1000 lbs (454 kg)	MIB400 / MIB580	194 lbs (88 kg) 208 lbs (94 kg)	9.2A / 11.3A	R-404a 57.9 oz (1641 g)	230V / 60Hz / 1Ph

INSTALLATION

- A clearance of 2" from the wall is recommended to promote adequate cooling air circulation
- A gravity drain line is required to install this ice machine
- For optimal performance, the use of a water filter is recommended