



PL-12005 Vortex Series Smart Toilet

Features

- Sleek One-Piece Smart Toilet with Integrated Personal Cleansing System
- MaP Premium Rated
- Multi Jet Siphonic Flush Technology
- Heated Seat Included
- Rear and Front Wash Nozzles
- Warm Air Dryer
- LED Night Light
- Auto Flush
- Self Cleansing
- Soft-Close Seat/Lid and Easy Clean Sides
- Wireless Remote Control Included



Material

- Vitreous China

Installation

- Floor Mount

Available Color/Finishes

Intended for reference only

Color	Description
-------	-------------



White



Matte Black

6140 Ulmerton Road Clearwater, FL 33760

Phone: (727) 388-9895

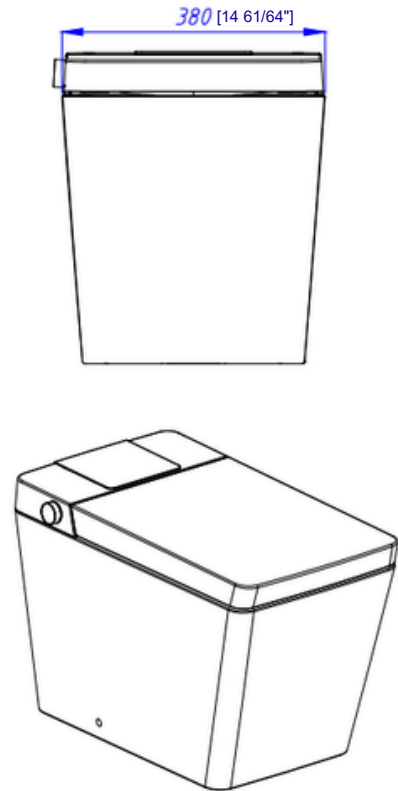
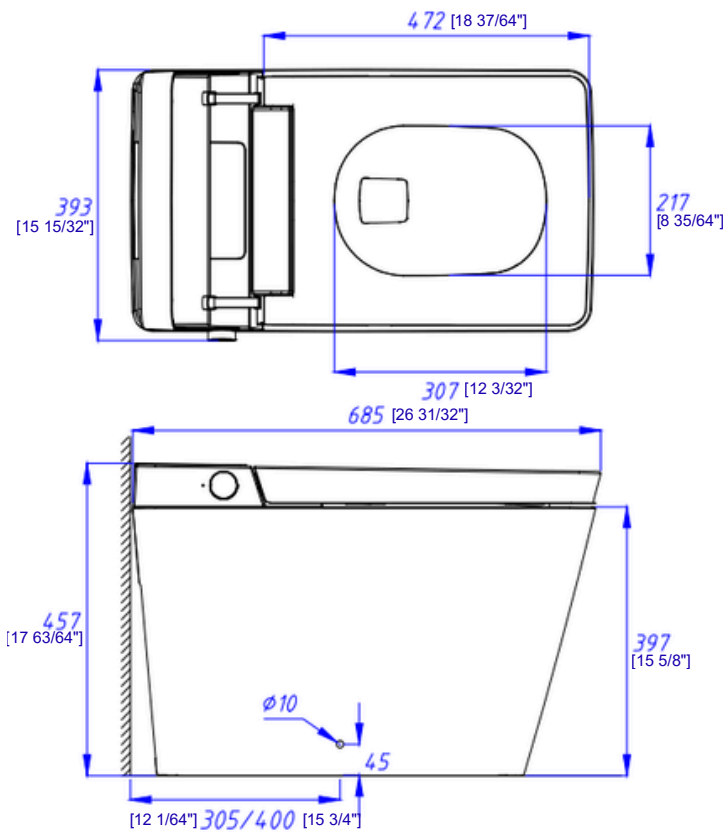
Fax: (727) 362-1281

For the most current Specification Sheet, go to www.buildpelican.com





PL-12005
Vortex Series
Smart Toilet



Technical Information

All product dimensions are nominal
 Size: 26 31/32" x 15 15/32" x 17 63/64"
 Seat Height: 15 5/8"
 Trapway: 2" Fully Glazed
 Rough-In: 12" or 16"
 Flush Technology: Multi Jet Siphonic

Installation Information

Install this product according to the installation instructions.
Includes all hardware for installation.

Warranty

See website for detailed warranty information.

JOB INFORMATION

JOB NAME: _____ MODEL SPECIFIED: _____ QUANTITY: _____
 DATE: _____ ARCHITECT/ENGINEER: _____
 CUSTOMER: _____ CONTRACTOR: _____

6140 Ulmerton Road Clearwater, FL 33760
 Phone: (727) 388-9895
 Fax: (727) 362-1281

For the most current Specification Sheet, go to www.buildpelican.com

