



PL-12305 Vortex Series Smart Toilet

Features

- Sleek One-Piece Smart Toilet with Integrated Personal Cleansing System
- MaP Premium Rated
- Multi Jet Siphonic Flush Technology
- Heated Seat Included
- Rear and Front Wash Nozzles
- Warm Air Dryer
- LED Night Light
- Auto Flush
- Self Cleansing
- Soft-Close Seat/Lid and Easy Clean Sides
- Wireless Remote Control Included



Material

- Vitreous China

Installation

- Floor Mount

Available Color/Finishes

Intended for reference only

Color	Description
<input type="checkbox"/>	White
<input type="checkbox"/>	Matte Black

6140 Ulmerton Road Clearwater, FL 33760

Phone: (727) 388-9895

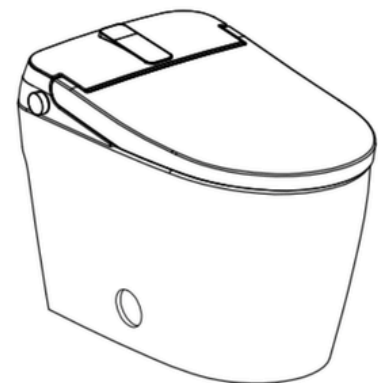
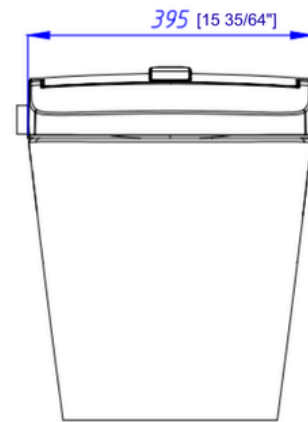
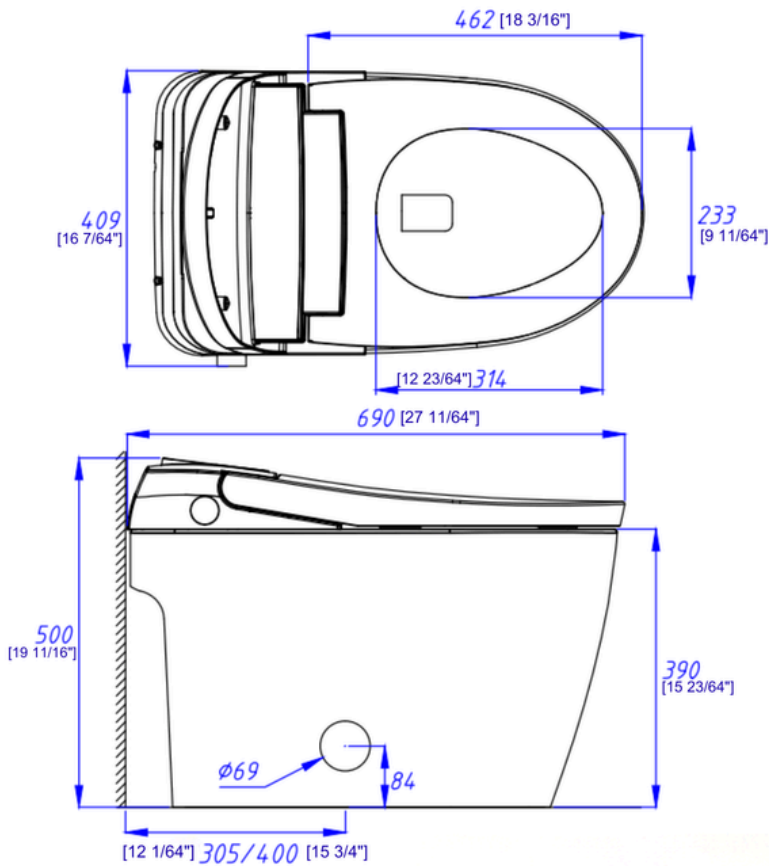
Fax: (727) 362-1281

For the most current Specification Sheet, go to www.buildpelican.com





PL-12305
Vortex Series
 Smart Toilet



Technical Information

All product dimensions are nominal

Size: 27 11/64" x 16 7/64" x 19 11/16"

Seat Height: 15 23/64"

Trapway: 2" Fully Glazed

Rough-In: 12" or 16"

Flush Technology: Multi Jet Siphonic

Installation Information

Install this product according to the installation instructions.

Includes all hardware for installation.

Warranty

See website for detailed warranty information.

JOB INFORMATION

JOB NAME: _____ MODEL SPECIFIED: _____ QUANTITY: _____

DATE: _____ ARCHITECT/ENGINEER: _____

CUSTOMER: _____ CONTRACTOR: _____

6140 Ulmerton Road Clearwater, FL 33760

Phone: (727) 388-9895

Fax: (727) 362-1281

For the most current Specification Sheet, go to www.buildpelican.com

