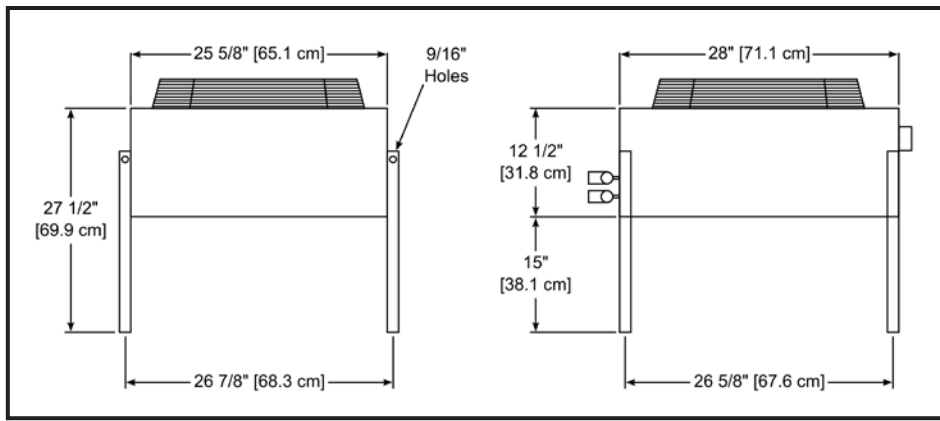


Remote Condensers and Line Sets

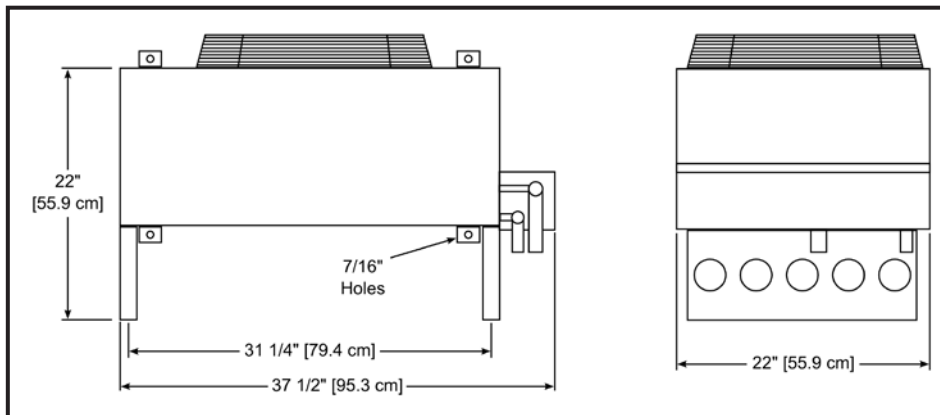


Model 2183464

- Model 2183464 for models U431 and U421, with quick connect fittings.
 - ✓ Optional pre-charged line sets with eight feet of flexible tubing allow freezer to be moved for cleaning; available in 43 foot and 58 foot lengths.
- Model 2145017 for freezer models 217R, 237R and 238R.
 - ✓ Refrigeration tubing supplied by installer.
- One condenser required for each freezing cylinder.



Remote Condensing Unit (2145017)	
Dimensions	Condenser
width	25-5/8" (65,1 cm)
height	27-1/2" (69,9 cm)
depth	28" (71,1 cm)
Weight	86 lbs (39,0 kg)
Refrigerated Line Sizes	Inlet - 3/8" Outlet - 3/8"



Remote Condensing Unit (2183464)	
Dimensions	Condenser
width	37-1/2" (95,3 cm)
height	22" (55,9 cm)
depth	22" (55,9 cm)
Weight	96 lbs (43,5 kg)
Refrigerated Line Sizes	Inlet - 7/8" Outlet - 5/8"

Continuous research leads to ongoing product improvements; therefore, these specifications are subject to change without notice and should not be used as installation specifications.

Distributed by:



FOODSERVICE EQUIPMENT

502 Highway 67 • Kiel, WI 53042-1600

920-894-2293 • 800-558-5807

Fax: 920-894-7029

E-mail: foodservice@stoelting.com

www.stoeltingfoodservice.com

ISO 9001:2008 Registered

STMF-103 04/12