



Project Name: \_\_\_\_\_

Location: \_\_\_\_\_

Item #: \_\_\_\_\_ Qty: \_\_\_\_\_

Model: \_\_\_\_\_

# UNDERCOUNTER HEATER PROOFERS

MODEL:  HPC-3414  HPIC-3414  HPIS-3414



HPC-3414



HPIC-3414



HPIS-3414

BevLes Undercounter Heater Proofers are available in insulated and non-insulated models in various door options. Controls are simple to operate and units will hold up to 14 full sheet pans with 1 1/2" clearance between slides.

## CONSTRUCTION

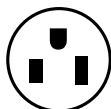
- Constructed of anodized 6063 aluminum extrusion
- .08" thick aluminum base with formed channels
- Field reversible doors (requires left hand hinge set):  
HPC-3414: .08" thick clear lexan  
HPIC-3414: .08" thick clear lexan  
HPIS-3414: Double-layer aluminum

## FEATURES

- Air baffle design and forced air circulation
- Easy to read LED thermometer
- Insulated door and cabinet with as low as 0.04W m2.K with thickness of 1.2 inch
- Corner bumpers prevent unit from impact
- Removable control drawer for easy cleaning and maintenance
- Four (4) 3" casters, two (2) with brakes, for mobility
- Holds up to 14 full size sheet pans; 1 1/2" of clearance between slides
- Insulated HPIC/HPIS models offer energy savings
- Supplied with 6.3' NEMA 5-15P cord with cable cover to provide additional electrical protection and safety

## ELECTRIC

120V / 60Hz / 1Ph  
(208-230V / 50-60Hz / 1Ph is available as an option)  
6.3' NEMA 5-15P cord set included



NEMA 5-15P

## 3RD PARTY APPROVALS



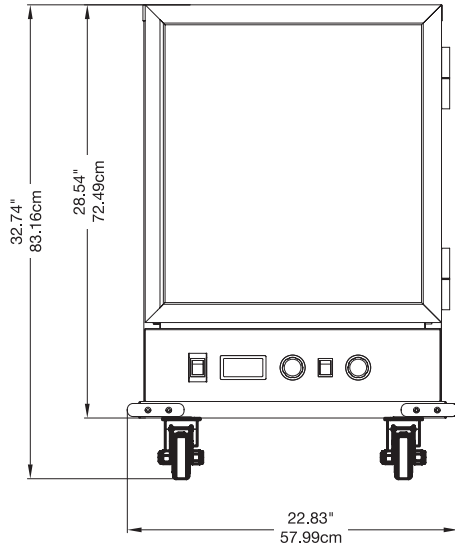
## HEATING AND PROOFING MODES

- Heating mode: with adjustable settings keeps cabinet temperatures up to 180°F (80°C)
- Proof mode: adjusts humidity between 30% and 95% and temperature up to 115°F (46°C)

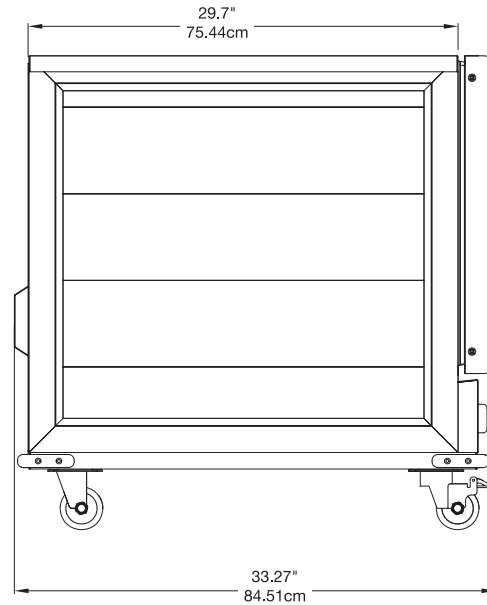


# UNDERCOUNTER HEATER PROOFERS

FRONT VIEW



SIDE VIEW



MODEL	CAPACITY (FULL SIZE SHEET PANS)	WIDTH (W)	DEPTH (D)	HEIGHT (H)	VOLTAGE	WATTS	AMPS	PLUG	SHIPPING WEIGHT	INSULATION
HPC-3414	14	22.83" 579.9 mm	33.27" 845.1 mm	32.74" 831.6 mm	120V / 60Hz / 1 Ph	1500	12.5	NEMA 5-15P	180 lbs / 82 kg	NO
HPIC-3414	14	22.83" 579.9 mm	33.27" 845.1 mm	32.74" 831.6 mm	120V / 60Hz / 1 Ph	1500	12.5	NEMA 5-15P	120 lbs / 54.4 kg	YES
HPIS-3414	14	22.83" 579.9 mm	33.27" 845.1 mm	32.74" 831.6 mm	120V / 60Hz / 1Ph	1500	12.5	NEMA 5-15P	118 lbs / 53.5 kg	YES