



Project:

Item Number:

Quantity:

**F231 SOFT SERVE GRAVITY-FED TWIN TWIST FLOOR MACHINES**



**AD2 Models**



**WF Models**



**DESCRIPTION**

Stoelting's Gravity Soft Serve/Yogurt Freezer dispenses two single flavors, or combine for twin twist. This model is ideal for self-serve frozen yogurt or ice cream operations.

**INTELLITEC2™ CONTROL FEATURES**

- Programmable through a multi-line graphics display.
- Upload firmware and download statistics through USB port.
- Performance and error logs provide data to maximize profitability.
- Control senses product consistency or temperature to customize for a wide variety of mixes.
- Standby and sleep modes conserve energy and automatically defrost product, maintaining small ice crystals and delivering a superior mouthfeel.

**STOELTING WHITE GLOVE SERVICE NETWORK** Every machine includes Stoelting's White Glove Service. One call does it all – customer service, technical service, parts or warranty information, installation, startup, sales, on-site service dispatch and much more. Available 24 hours a day, seven days a week year-round.

**ITEMS**

Single Phase		Three Phase
Air Cooled	Water Cooled	Air Cooled
F231-38I2P	F231-18I2	F231-309I2P
F231-38I2P-WF	F231-18I2-WF	F231-309I2P-WF
F231-38I2P-AD2	F231-18I2-YG2	F231-309I2P-AD2
F231-38I2AP-AD2	F231-18I2-YG2-AD2	<b>Water Cooled</b>
F231-38I2P-AD2-WF		F231-109I2-WF
F231-38I2P-YG2		F231-109I2YG2-AD2
F231-38I2P-YG2-WF		
F231-38I2PYG2AD2-WF		

**ACCESSORIES & OPTIONS**

- **2204541** Hopper Lock Kit
- **521041** Clean-In-Place System
- **2208604** Clean-In-Place System Parts Kit (includes spigots, auger supports, and o-rings)
- **Yogurt Configuration (YG2 Suffix)** Specific frozen yogurt configuration and expansion valve.
- **ADA Compliant Handles (AD2 Suffix)** Flat handles 48" from ground.
- **Hopper Agitation (A Suffix)** Agitator blade circulates product in the hopper
- **Connect2U™ Equipment Monitoring (WF Suffix)** WiFi connected machine minimizes downtime and allows diagnosis from a remote location. Instant email notification for user selected alerts. Website monitoring of equipment status and performance allows operator to see machine's performance, sales history, and preventative maintenance.

**FEATURES**

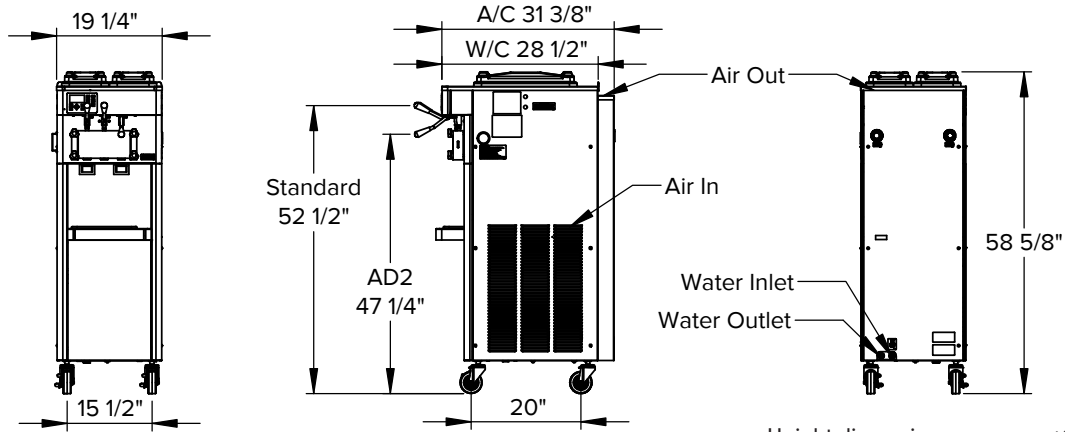
- Simplified design for quick assembly after cleaning.
- Adjust the dispense rate to meet your requirements.
- Clear door displays circulating product for merchandising appeal.
- Efficient freezing cylinder and auger design delivers a consistent uniform product with small ice crystals and a quick recovery time.
- Highly efficient auger design gently folds the entire contents of the freezing cylinder, delivering a thick, smooth, and creamy product.
- Self-closing spigot eliminates waste and ensures precise portion control.
- Compact floor unit design saves valuable floor space.
- Long-wearing parts offer lower preventative maintenance costs.
- Tamper-proof controls for self-serve applications.
- Organized hopper cover for disassembly and assembly.

*Continuous research leads to ongoing product improvements; therefore, these specifications are subject to change without notice and should not be used as installation specifications.*

Approvals	Date

## F231 SOFT SERVE GRAVITY-FED TWIN TWIST FLOOR MACHINES

### DIMENSIONS



Height dimensions may vary ±1" due to casters

### GENERAL SPECIFICATIONS

Freezing Cylinder				Hopper Capacity gallon (L)	Drive Motor (hp)	Weight lb (kg)	Crated Weight lb (kg)
Capacity gallon (L)	Compressor						
	Btu/hr	Refrigerant	Charge (oz)				
Two 0.85 (3.2)	12,000	R-448A	A/C: 42 W/C: 32	3 (11.36)	Two 3/4	400 (181.4)	470 (213.2)

- Indoor use only.
- Maximum ambient temperature: 100°F (37.8°C).
- Requires one dedicated electrical circuit per barrel.
- Power cord provided.
- Air cooled units require: 3" (7.6 cm) air space on both sides.
- Water cooled units require: 1/2" N.P.T. water and drain fittings. Maximum water pressure of 130 psi. Minimum water flow rate of 3 GPM. Ideal EWT of 50°-70°F.
- Details on CAD Revit Symbols Libraries are available on [stoelting.klccad.com](http://stoelting.klccad.com)

### ITEM NUMBER SPECIFICATIONS

Model Number	Cooling	Phase	Volts	Hz	Running Amps	Cord with Plug (Included)	ADA Handles	Plenum Kit	Yogurt Configuration	WiFi Module	Hopper Agitation Kit
F231-38I2P	Air	1	208-240	60	12	NEMA 6-20P	✓	✓	-	-	-
F231-38I2P-WF										✓	-
F231-38I2P-AD2										-	-
F231-38I2AP-AD2										-	-
F231-38I2P-AD2-WF										✓	-
F231-38I2P-YG2										-	-
F231-38I2P-YG2-WF										✓	✓
F231-38I2PYG2AD2-WF	✓	✓									
F231-18I2	Water	1	208-240	60	12	NEMA 6-20P	-	-	-	-	-
F231-18I2-WF										✓	-
F231-18I2-YG2										-	-
F231-18I2-YG2-AD2										✓	✓
F231-309I2P	Air	3	208-240	60	10	NEMA L15-20P	-	✓	-	-	-
F231-309I2P-WF										✓	-
F231-309I2P-AD2										✓	-
F231-109I2-WF	Water	3	208-240	60	10	NEMA L15-20P	-	-	-	✓	-
F231-109I2YG2-AD2										✓	-



**Service Information**  
 800-319-9549 (U.S. Toll Free)  
 920-894-2293 (Outside the U.S.)  
[www.stoeltingfoodservice.com](http://www.stoeltingfoodservice.com)  
[www.vollrath.com](http://www.vollrath.com)