

SPIKA MS 500 R290

115 V / 60 Hz



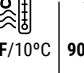

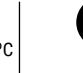





MODULAR ICE CUBE MACHINE

WARRANTY:
 ICE MAKERS - 3 YEARS PARTS AND LABOR
 EVAPORATOR - 5 YEARS PARTS AND LABOR
 COMPRESSOR - 5 YEARS PARTS

FEATURES

- ▶ PRODUCES FULL DICE OR HALF DICE ICE CUBES
- ▶ HIGH EFFICIENCY EVAPORATOR
- ▶ SMART WATER DISTRIBUTOR THAT IMPROVES DROP-OFF EFFICIENCY
- ▶ EASY ACCESS FOR SERVICE BY REMOVING THE PANELS WITH A SINGLE SCREWDRIVER
- ▶ SMART ELECTRONIC BOARD CONTROLS EVERY PARAMETER IN THE MACHINE AND SHOWS THE DIAGNOSIS OF POSSIBLE INCIDENCES
- ▶ HIGH RESISTANCE EXTERNAL FRAME IN AISI 304 STAINLESS STEEL
- ▶ NATURAL GAS R290 WITH VERY LOW GLOBAL WARMING POTENTIAL WHICH ALSO REDUCES THE ENERGY CONSUMPTION



	 24 H	 70°F/20°C lbs (Kg)	 50°F/10°C lbs (Kg)	 90°F/32°C lbs (Kg)	 70°F/21°C lbs (Kg)	 in (mm)	 in (mm)	
SPIKA MS 500 A		480 (218)	333 (153)	Width 30" (762)	Width 32.92" (836)	Depth 24.41" (620)	Depth 25" (635)	SPIKA HALF DICE 0.9" (W) x 0.43" (D) x 1.02" (H) 23 mm (W) x 11 mm (D) x 26 mm (H) Average dimensions
SPIKA MS 500 W		-	-	Height 19.57" (497)	Height 24.61" (625)			SPIKA FULL DICE 1.02" (W) x 0.9" (D) x 1.02" (H) 26 mm (W) x 23 mm (D) x 26 mm (H) Average dimensions

ACCESSORIES

INCLUDED



SCOOP

NOT INCLUDED



DOUBLE 10" FILTER
ANTI-LIMESCALE + ANTI-CHLORINE
PRO-102 K
#33740



10" REPLACEMENT CARTRIDGE
ANTI-LIMESCALE + ANTI-CHLORINE
PRO-10
#33742



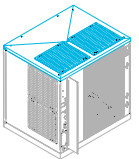
SCALE KLEEN
#33492



STACKING KIT



ADAPTER PLATES



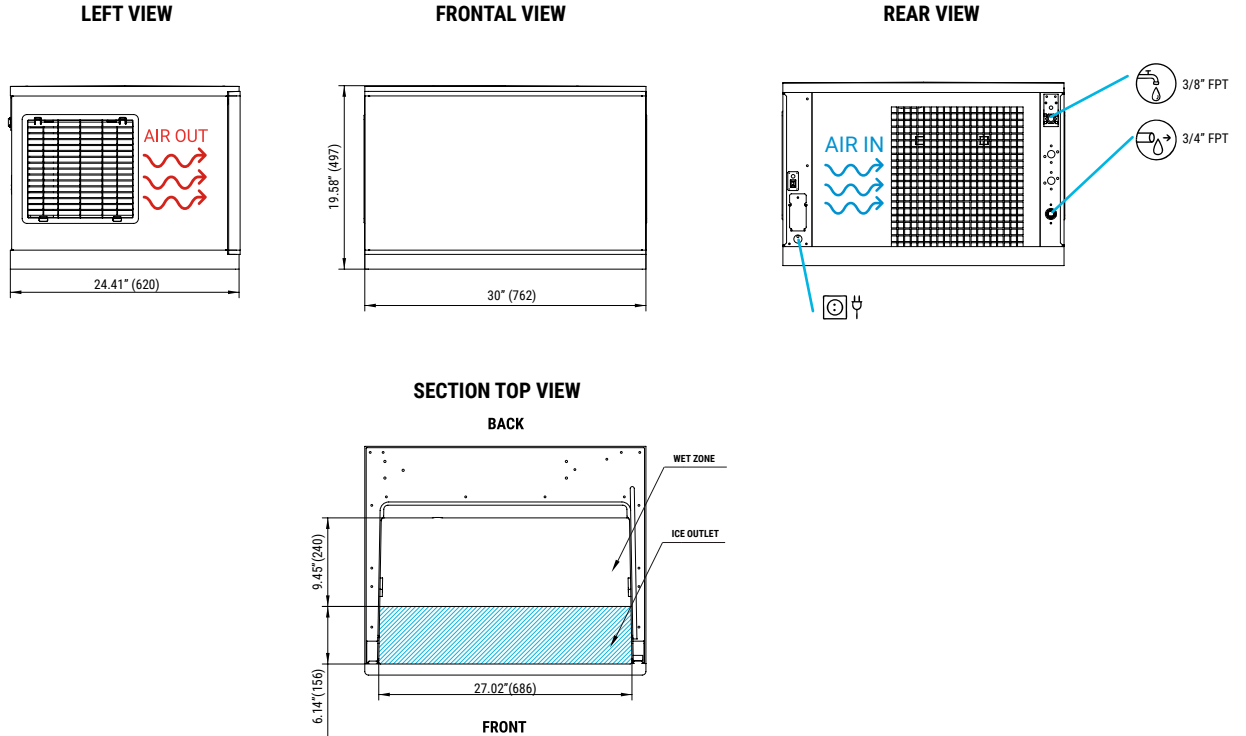
TOP VENT KIT
#32943K

RECOMMENDED BINS



TECHNICAL SCHEME

SPIKA MS 500



* All dimensions in inches (and mm)

OPERATING CONDITIONS

PRODUCTION (LBS) 60Hz

±10% V

41°F/109°F

41°F/95°F

14.5 psi (1 bar) / 87 psi (6 bar)

200/400 Ice cubes/cycle

V	Hz	ph
115	60	1N

FULL DICE SPIKA MS 500 AIR COOLED

	50° 10°	60° 15°	70° 21°	86° 30°
50° 10°	511	447	395	372
68° 20°	480	417	364	350
90° 32°	448	388	337	324
109° 43°	425	366	313	300

FULL DICE SPIKA MS 500 WATER COOLED

	50° 10°	60° 15°	70° 21°	86° 30°
50° 10°	-	-	-	-
68° 21°	-	-	-	-
90° 32°	-	-	-	-
109° 43°	-	-	-	-

MODELS

SPIKA MS 500 A

SPIKA MS 500 W

	ASHRAE CONDITIONS (BTu/h) (W)	(W) 109°F	(AWG/mm ²) (n.)	FUSE	100lbs 90°F / 70°F (Kwh/100 lbs)	gal 100lbs (l/h)	HEAT REJECTED (BTu/h) (W)	(lbs)	(lbs)
SPIKA MS 500 A	4,398 1,289	780	16/1,5	3	16	5.23	12.4 3.27	5,330 1,562	187 205
SPIKA MS 500 W	-	-	-	-	-	-	-	-	-



ITV Ice Makers, Inc.
9550 Satellite Blvd, Suite 100
Orlando, FL 32837
Phone: 1 407 826 1860 | Fax: 1 407 826 1861
Toll Free: 1 888 488 1423
sales@itvice.com | www.itvice.com

SERVICE
service@itvice.com
Skype: service@itvice.com
PHONE: +1 888 488 1423
FROM 8AM TO 5PM EST

WARRANTY:
ICE MAKERS - 3 YEARS PARTS AND LABOR
EVAPORATOR - 5 YEARS PARTS AND LABOR
COMPRESSOR - 5 YEARS PARTS

