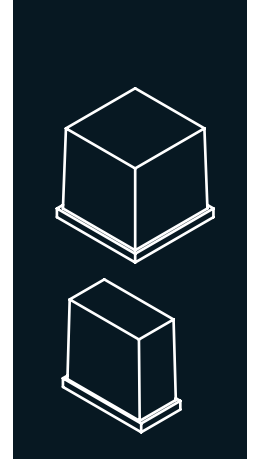


SPIKA MS 1000 REMOTE

MODULAR ICE CUBE MACHINE

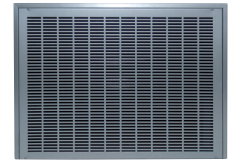
208-230 V / 60 Hz











3 YEARS
WARRANTY
PARTS & LABOR



FEATURES

- ▶ PRODUCES FULL DICE OR HALF DICE ICE CUBES
- ▶ HIGH EFFICIENCY EVAPORATOR
- ▶ SMART WATER DISTRIBUTOR THAT IMPROVES DROP-OFF EFFICIENCY
- ▶ EASY ACCESS FOR SERVICE BY REMOVING THE PANELS WITH A SINGLE SCREWDRIVER
- ▶ SMART ELECTRONIC BOARD CONTROLS EVERY PARAMETER IN THE MACHINE AND SHOWS THE DIAGNOSIS OF POSSIBLE INCIDENCES
- ▶ HIGH RESISTANCE EXTERNAL FRAME IN AISI 304 STAINLESS STEEL





	 24 H	 70°F/21°C	 50°F/10°C	 90°F/32°C	 70°F/21°C	 in (mm)	 in (mm)	
		lbs (Kg)	lbs (Kg)	lbs (Kg)	lbs (Kg)			
SPIKA MS 1000 R		941 (426)	853 (387)			Width 30" (760) Depth 24" (620) Height 30" (762)	Width 33" (836) Depth 25" (635) Height 34" (874)	SPIKA HALF DICE 0,9" (W) x 0,4" (D) x 1" (H) 23 mm (W) x 11 mm (D) x 26 mm (H) Average dimensions
RC10		-	-			Width 29,4" (746) Depth 16,8" (427) Height 22,3" (566)	Width 30" (770) Depth 20" (510) Height 28" (700)	SPIKA FULL DICE 1" (W) x 0,9" (D) x 1" (H) 26 mm (W) x 23 mm (D) x 26 mm (H) Average dimensions

ACCESSORIES

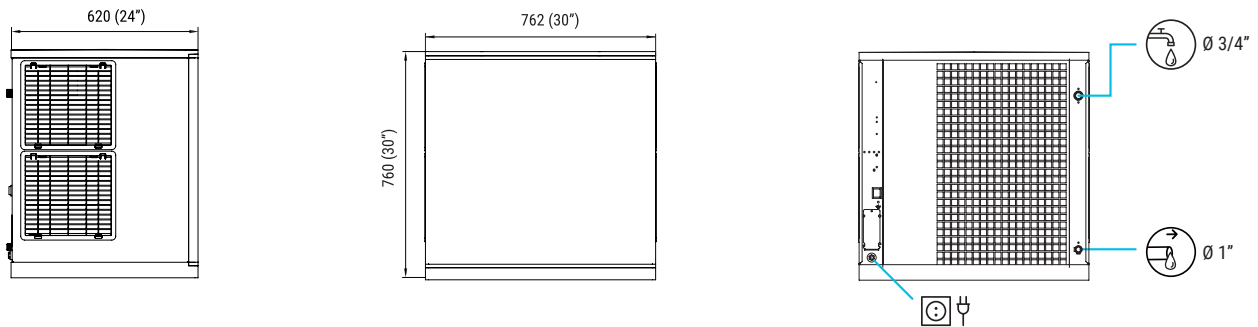
INCLUDED	NOT INCLUDED				
 SCOOP	 DOUBLE 11" FILTER ANTI-LIMESCALE + ANTI-CHLORINE CS112	 11" REPLACEMENT CARTRIDGE ANTI-LIMESCALE + ANTI-CHLORINE CS11	 STACKING KIT	 ADAPTER PLATES	 SCALE KLEEN

RECOMMENDED BINS

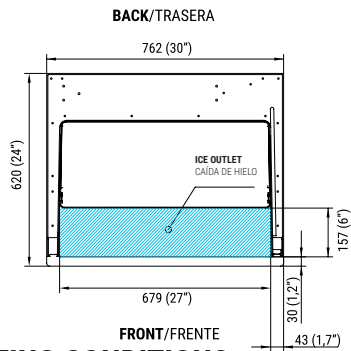
RECOMMENDED	RECOMMENDED	RECOMMENDED	RECOMMENDED	RECOMMENDED	RECOMMENDED	RECOMMENDED	RECOMMENDED	RECOMMENDED
								
S500 + 1 2 SPIKA MS1000R	S750 + 1 2 SPIKA MS1000R	S900 + 1 2 SPIKA MS1000R	S1050 + 1 2 SPIKA MS1000R	SCS350 + 1 2 SPIKA MS1000R	SCS700 + 1 2 SPIKA MS1000R	SCD900 + 1 2 SPIKA MS1000R	SCD1350 + 1 2 SPIKA MS1000R	SCD1800 + 2 SPIKA MS1000R

TECHNICAL SCHEME

SPIKA MS 1000 REMOTE

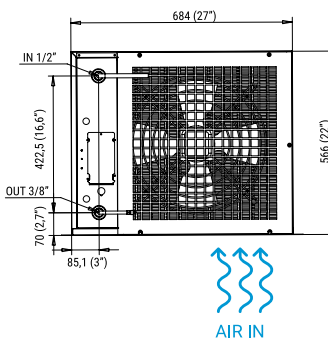


CENTRAL CROSS SECTION VIEW OF THE BASE
VISTA DE LA BASE DESDE SECCIÓN CENTRAL

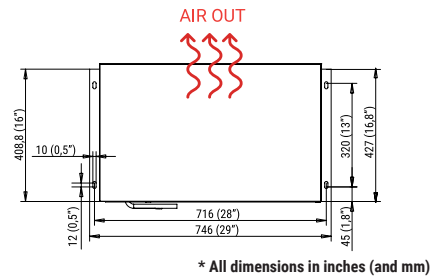


RC10

RIGHT SIDE VIEW
VISTA LATERAL DERECHA



TOP VIEW
VISTA EN PLANTA

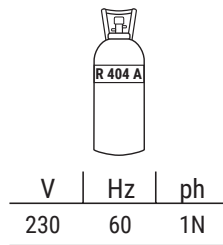


* All dimensions in inches (and mm)

OPERATING CONDITIONS

PRODUCTION (LBS) 60Hz

- ±10% V
- 41°F/109°F
- 41°F/95°F
- 14,5 psi (1 bar) /87 psi(6 bar)
- 400/800 Ice cubes/cycle



FULL DICE

SPIKA MS1000R AIR COOLED

	50° 10°	60° 15°	70° 21°	86° 30°
50° 10°	970	946	911	780
68° 21°	941	911	880	728
90° 32°	915	884	853	705
109° 43°	882	855	825	672

MODELS

	ASHRAE CONDITIONS (BTU/h)	(W)	(W) 109°F	(AWG/mm ²) (n.)	FUSE	100lbs 90°F / 70°F (Kwh/100 lbs)	gal 100lbs (l/h)	HEAT REJECTED (BTu/h)	(W)	(lbs)	(lbs)		
SPIKA MS 1000 R A	17,743	5,200	1,482	12/2.5	3	15	5.12	14	17	11,857	3,475	231	243
RC10	-	-	200	14/1.5	2	10	-	-	-	-	-	88	110



ITV Ice Makers, Inc.
9550 Satellite Blvd, Suite 100
Orlando, FL 32837
Phone: 1 407 826 1860 | Fax: 1 407 826 1861
Toll Free: 1 888 488 1423
sales@itvice.com | www.itvice.com



TECHNICAL ASSISTANCE
SERVICE
service@itvice.com
Skype: service@itvice.com
PHONE: +1 888 488 1423
FROM 8AM TO 5PM EST



2 ADDITIONAL YEARS
ON COMPRESSOR &
EVAPORATOR
Read our warranty policy
to know more about
limitations and exclusions

