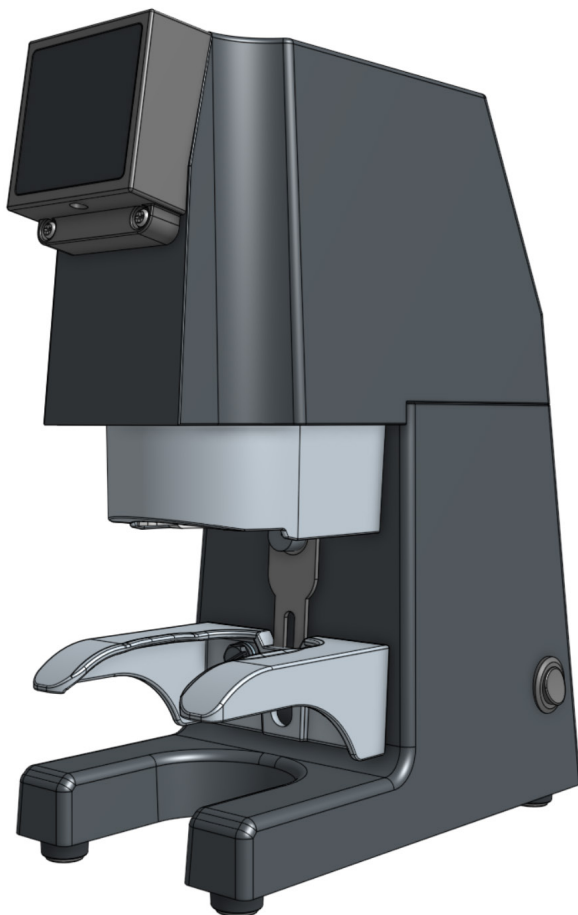




# Slingshot Kilo' Automatic Tamping Device

---

ORIGINAL INSTRUCTION USER HANDBOOK



CE

---

## INDEX

<b>Page 2</b>	Electrical installation rule
<b>Page 3</b>	Precautions and safety features Warning
<b>Page 4</b>	General description Instruction for use
<b>Page 5</b>	Technical details Using kilo'
<b>Page 6-7</b>	Setup and basic adjustments Adjusting the fork portafilter Setting up tamping pressure profile
<b>Page 8-9</b>	Cleaning and maintenance Cleaning and reset Changing the tamping disc
<b>Page 10</b>	Troubleshooting
<b>Page 11</b>	Warranty

## ELECTRICAL INSTALLATION RULE



Prior to installation, make sure there is a circuit breaker installed with a distance between the contacts that allows for complete disconnection when there is a category III overload and that provides protection against current leakage equal or less than to 30 mA. The circuit breaker must be installed on the power supply in compliance with installation rules.

If the power supply is not working properly, the machine can cause transitory voltage drops. The electrical safety of this machine is only ensured when it is correctly connected to an efficient earthing system in compliance with the electrical safety laws in force. This fundamental safety requirement must be verified. If in doubt, request that a qualified electrician inspect the system. The manufacturer cannot be held responsible for any damage caused by the lack of an earthing system on the electrical supply.

It is inadvisable to use adaptors, multiple plugs, and/or extension cords. If their use is indispensable, only use simple or multiple adaptor plugs and extension cords that are in compliance with safety laws. Make sure these devices do not exceed the voltage capacity marked on the simple adaptor and on extension cords, and the maximum voltage marked on the multiple adaptor.

## PRECAUTIONS AND SAFETY FEATURES

This Automatic Tamper has been designed only for tamping ground coffee.

Any other use is understood to be improper, and therefore hazardous.

The manufacturer cannot be held responsible for any damage as a result of improper or incorrect use.

### **THIS AUTOMATIC TAMPER HAS BEEN DESIGNED ONLY FOR PROFESSIONAL USE BY TRAINED PERSONNEL AND NOT FOR HOUSEHOLD USE.**

The user must be an adult. Do not allow children or incapable persons to use this Automatic Tamper. Children should be supervised to ensure that they do not play with the appliance.

The instructions concerning persons (including children) with reduced physical, sensory or mental capabilities or lack of experience and knowledge and children playing with the appliance are not applicable.

This Automatic Tamper is intended to be used for commercial applications, for example in kitchens of restaurants, canteens, hospitals and commercial enterprises such as bakeries.



#### **WARNING:**

Installation, dismantling, and adjustments must only be performed by qualified and authorised technicians.

Carefully read the warnings and rules in this manual because they provide essential information regarding safe installation, use and maintenance of the machine.

Keep this booklet handy for easy reference.

If the power supply cord is damaged, it can only be replaced by qualified and authorised technicians.

Packing materials (plastic bags, polystyrene foam, staples, etc.) must be kept out of the reach of children because they are potentially hazardous.

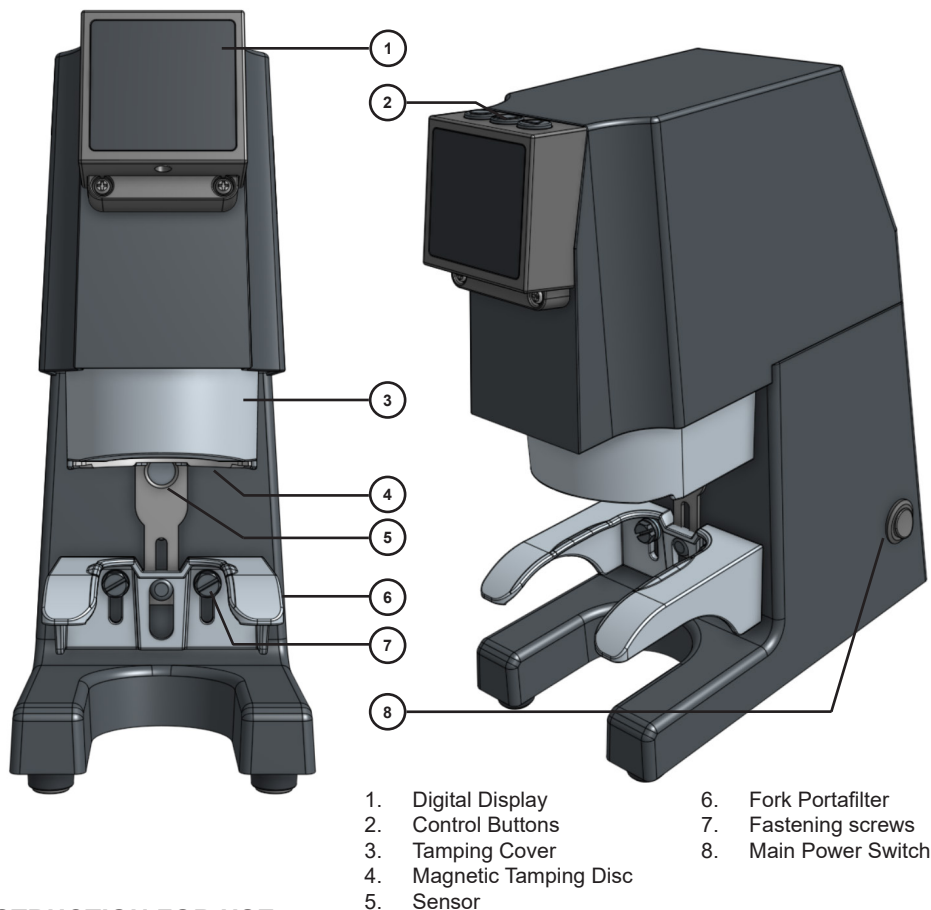
Before plugging in the machine, make sure that the information on the nameplate (voltage, etc.) matches that of the electrical system. Completely unwind the power supply cable.

Do not install in rooms (kitchens) that are cleaned with jets of water.

Do not clean the machine with jets of water.

Do not install the machine outdoors.

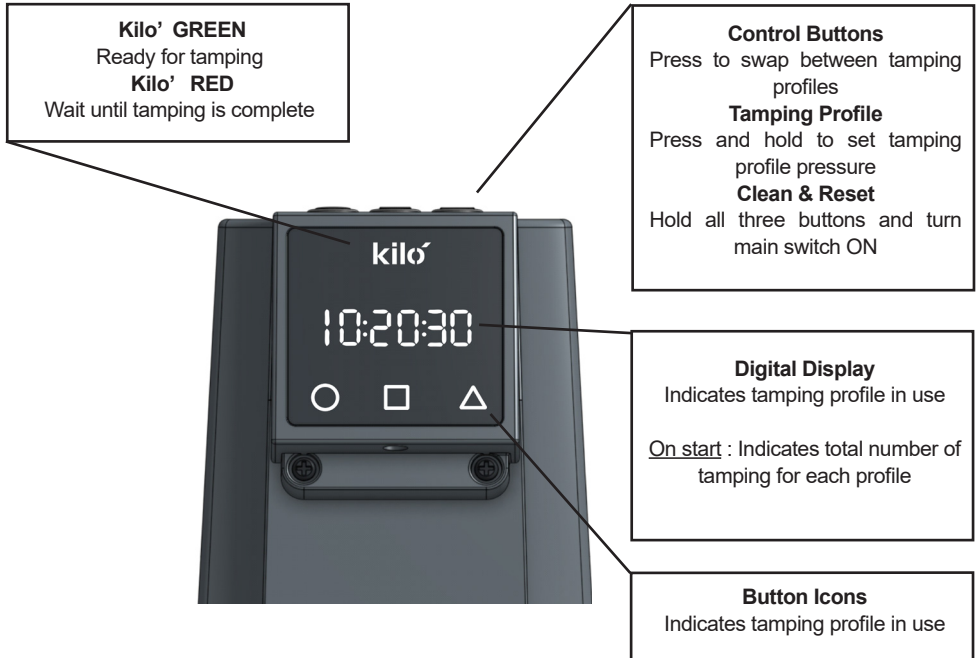
Fig. A



## INSTRUCTION FOR USE

- ① Turn on the main switch on the side of the device (Fig.A 8).
- ② Insert the Portafilter in the Fork Portafilter (Fig.A 6).
- ③ Kilo' automatically detects the Portafilter using the sensor (Fig.A 5), and it will start the tamping.
- ④ Remove the Portafilter when the logo Kilo' turns green.

## USING KILO'



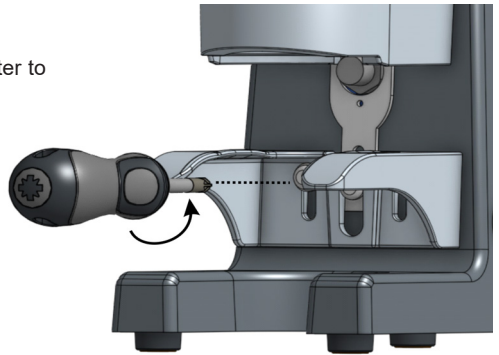
<b>Model No.</b>	See base of machine
<b>Voltage/Frequency</b>	100-240 Vac / 50-60 Hz
<b>Power</b>	60W
<b>Dimensions</b>	H 290mm - W 114mm - D 240mm
<b>Weight</b>	3.5kg
<b>Tamper Diameter*</b>	58mm / 58.4mm / 54.6mm

## ADJUSTING THE FORK PORTAFILTER

Before you start using Kilo', you need to adjust the height of the Fork Portafilter. Kilo' Auto Tamper can accommodate any type and brand of Portafilter thanks to its support system. The height of the Portafilter can vary from 28 to 48 mm, 58 mm or 54\* mm basket diameter. (\*Special kit it's required.)

- ① Using the appropriate tool, untighten the screws that holds the Fork Portafilter (Fig.A 6).
- ② Insert the Portafilter.
- ③ Lift up the Fork (Fig.A 6) until the top of the Portafilter is attached to the Tamping Cover (Fig.A 3).
- ④ Re-tighten screws making sure that the top of the Portafilter is mated to the Tamping Cover.

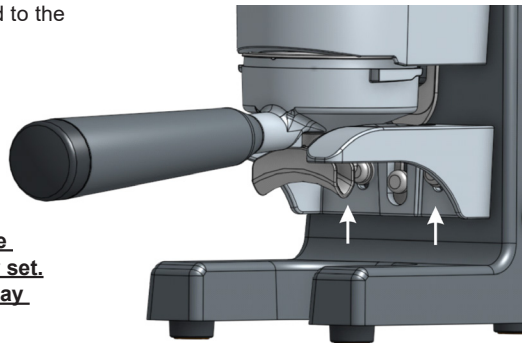
Untighten the 2 screws that hold the Fork Portafilter to adjust up or down.



Push up until the top of the Portafilter is mated to the Tamping Cover then re-tighten the 2 screws.



**WARNING: Portafilter should not move if the Fork Portafilter (Fig. A 6) height is correctly set. If the Portafilter is too loose, the operator may have access to dangerous moving parts.**



**NOTE:** To be able to tamp evenly, the Portafilter top edge must always be in contact with the Tamping Cover. Try to insert the Portafilter in the fork and check if it slides easily. If the adjustment of the Fork Portafilter is too loose, start again from step ①



## SETTING UP TAMPING PRESSURE PROFILE

Kilo' uses a precision weighing system that controls the tamping pressure.

User can program up to 3 different tamping profiles using the 3 Control Buttons (Fig.A 2).

User can set each tamping profile to tamp once, twice or three times.

Tamping pressure is expressed in Kilogram and ranges from a minimum of 3kg to a maximum of 30Kg.

### Programming

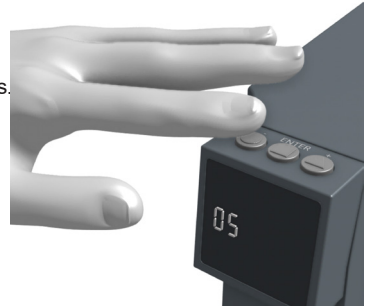
① Press one of the buttons / / until the display flashes.

② Press / to adjust the tamping force.

③ Press <sup>ENTER</sup> to save your setting.

To set 2nd & 3rd tamp, repeat step ② and ③

If 2nd and 3rd tamps are not required, set the value to 00.



### Example 1

Set the button to tamp 3 times: 1<sup>st</sup> tamp at 5 KG, 2<sup>nd</sup> tamp at 12Kg and 3<sup>rd</sup> tamp at 20Kg.

① Press until the display flashes.

② Press / to adjust the 1<sup>st</sup> tamping force to 05, which means 5Kg.

③ Press <sup>ENTER</sup> to save.

The display will show **05**: and the next 2 digits will start flashing.

Repeat step ② and ③ to set the 2<sup>nd</sup> value to 12, which means 12Kg.

The display will show now **05:12**: and the next two digit will start flashing.

Repeat step ② and ③ to set the 3<sup>rd</sup> value to 20, which means 20Kg.

Kilo's button it's now set to tamp 3 times at 05kg,12kg and 20kg.



### Example 2

Set the button to tamp only once at 5Kg.

① Press until the display flashes.

② Press / to adjust the tamping force to 05, which means 5Kg.

③ Press <sup>ENTER</sup> to save.

The display will show **05**: and the next 2 digits will start flashing.

Repeat step ② and ③ to set the next value to 00, to avoid the 2<sup>nd</sup> and 3<sup>rd</sup> tamps.

Kilo's button it's now set to tamp only once at 5kg.



## CLEANING

It is essential to regularly clean your Kilo' Auto Tamper to prevent any build-up of coffee grounds on the Tamping Disc and inside the Tamping Cover. The Tamping Disc is magnetically attached to the unit. Following are the steps for performing the cleaning procedure.

### How to do it

- ① Turn the main power switch "OFF".
- ② Press and Hold down all three buttons  /  /  and then turn the main power switch "ON".

The Magnetic Tamping Disc is lowered and the display will show "Clean".

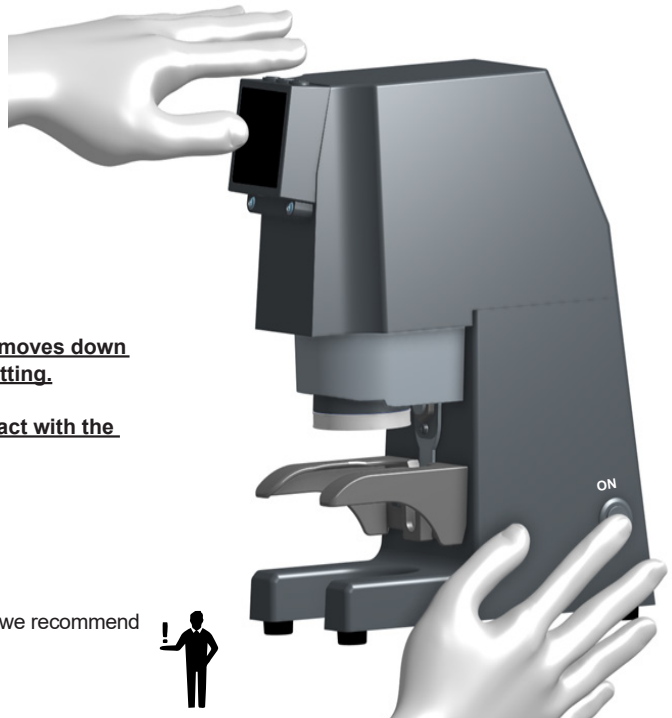
- ③ Pull down and detach the Magnetic Tamping Disc from the unit.
- ④ **Clean** the Tamping Disc and the inside of the Tamping cover with the provided brush.
- ⑤ Re-attach the Tamping Disc.
- ⑥ Repeat steps ① and ② to return the Tamping Disc to its original position and **Reset** Kilo'.



**WARNING: The Tamping Disc moves down for cleaning and up when resetting.**

**The Operator must avoid contact with the moving parts.**

**NOTE:** For optimal performance, we recommend cleaning Kilo' daily.








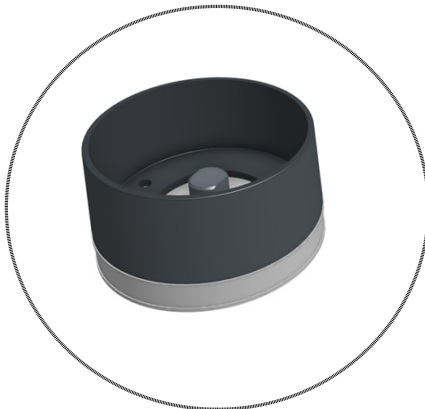
## CHANGING THE TAMPING DISC

Kilo' can use different types of Tamping Discs to suit all sizes of Filter Basket. The Tamping Disc is magnetically attached to the unit. Following are the steps for changing the Tamping Disc.

### How to do it

- ① Turn the main power switch "OFF".
- ② Press and Hold down all three buttons  /  /  and then turn the main power switch "ON".  
The Magnetic Tamping Disc is lowered and the display will show "Clean".
- ③ Pull down and detach the Magnetic Tamping Disc from the unit.
- ④ Attach the new Tamping Disc.
- ⑤ Repeat steps ① and ② to return the Tamping Disc to its original position and **Reset** Kilo'.

Magnetic Tamping Disc



**NOTE:** To be able to use Kilo' with a 54mm diameter Tamping Disc you must install the reducer collar kit.



Before requesting the technical assistance of the service centre, carry out the following checks:

PROBLEM	POSSIBLE CAUSE	SOLUTION
Kilo' not turning on, the display is off.	Power cord not properly attached.	Ensure that the power cable is properly connected at both ends.
The tamping operation doesn't start.	The Portafilter is not properly inserted.	Re-adjust the Fork Portafilter (see page 6)
The Tamping Disc is down, and the display shows "CLEAN".	Kilo' is on Cleaning mode or there was a power outage while Kilo' was working.	Reset Kilo. (see "Cleaning and Maintenance" on page 8).
Kilo' doesn't tamp leveled and even.	The adjustment of the Fork Portafilter is too loose. Coffee ground is not at an even level before tamping.	Re-adjust the Fork Portafilter (see page 6) Level the ground coffee in the filter basket before tamping.
Ground coffee sticks to the Tamping Disc.	The Tamping Disc is greasy or dirty.	Clean the Tamping Disc. (see "Cleaning and Maintenance" on page 8).
Kilo' Tamping is slower than usual	The Tamping Disc and the inside of the Tamping Cover are dirty. The Load Cell scale system is not working properly.	Clean the Tamping Disc. (see "Cleaning and Maintenance" on page 8).

**NOTE:** Only authorized specialist personnel can conduct the required repairs. If you have a new espresso machine with a different tamper diameter, please contact your local dealer to source a suitable Tamping Disc.



## **WARRANTY**

The warranty period is 1 (one) year from the date of purchase.

The warranty covers all damages that can be attributed to defective parts.

The faulty Kilo' Auto Tamper will be repaired or replaced free-of-charge, with the exception of transport or freight charges.

Proper transport is the responsibility of the customer, so please try to avoid damages during a product return by correctly packing the device.

This warranty does not cover damages which have occurred through: improper usage, improper maintenance, lack of servicing, usage for purposes other than those intended, incorrect installation, breakage, natural wear.

In order to maintain the warranty, only original spare parts and accessory parts may be used.

The manufacturer is in no way liable for consecutive or secondary damages.

The warranty does not cover costs resulting from repairs conducted by non-authorized personnel.

## **DISPOSAL OF THE UNIT**

At the end of its service life, this product cannot be disposed of in normal domestic waste. The symbol on the product and in the operating instructions point out to this fact. The materials are recyclable according to your marking. With the reuse, recycling or other forms of recycling of old equipment, you make an important contribution to the protection of our environment. Please ask your municipal administration for the disposal point.



## **SLINGSHOT TECHNOLOGY CORPORATION LTD**

All right reserved. It is prohibited to reproduce, adapt or translate this document without prior written authorisation. The manufacturer reserves the right to make changes to the product and the manual. The company cannot be held liable for any damage to people or property resulting from failure to respect the instructions concerning safety, installation and maintenance contained in this manual. Before connecting the machine, check that voltage and frequency values of the supply mains correspond to the ratings indicated on the label featuring this appliance.



---

## **ASIA**

Slingshot Technology Corporation Ltd  
7/F Meyer Industrial Building  
2 Chong Yip Street, Kowloon. HK  
+852 23438211

## **AUSTRALIA & NZ**

Slingshot Technology Pty Ltd  
2/19 Rudloc Rd  
Morley WA 6062  
+61 1300 066 992

## **EUROPE**

Carimali S.p.A.  
Via Industriale, 1  
24040 Chignolo D'isola BG, Italy  
+39 035 494 9555

## **USA & CANADA**

[info@slingshotamerica.com](mailto:info@slingshotamerica.com)  
+1-201-745-6765

---