

THERMOSTATIC/MANUAL GRIDDLE

GAS TYPE: NATURAL LP



THERMOSTATIC

- ARTG-24 ARTG-36 ARTG-48
 ARTG-60 ARTG-72

MANUAL

- ARMG-12 ARMG-24 ARMG-36
 ARMG-48 ARMG-60 ARMG-72

Choose either 21" or 24" cooking Depth

STANDARD FEATURES

- Stainless steel exterior
- 1" steel griddle plates
- Polished 1" (25mm) thick steel griddle plate provides even heat distribution
- One U-shaped 30,000 BTU/hr. burner for every 12" of griddle surface for even cooking
- Thermostatic griddle has a thermostat for every burner. Temperature range 250F° to 500F°
- Comes in a variety of widths from 24", 36", 48", 60" and 72"
- 4" adjustable height legs included
- Two year limited warranty, parts and labor



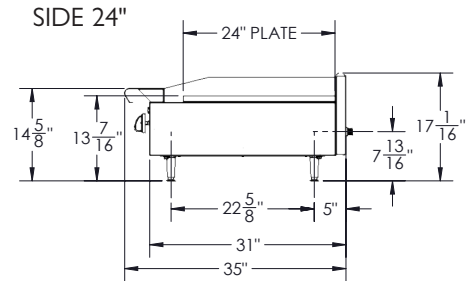
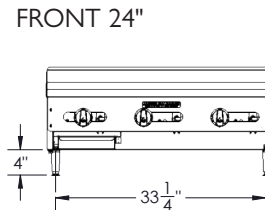
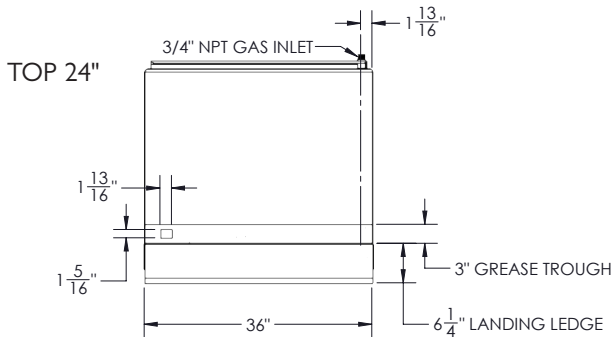
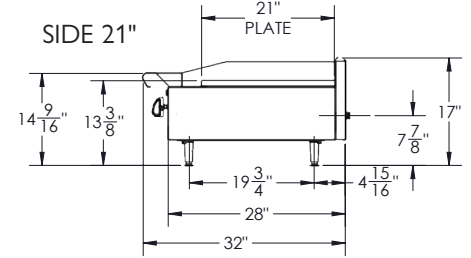
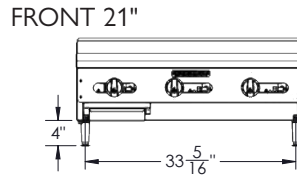
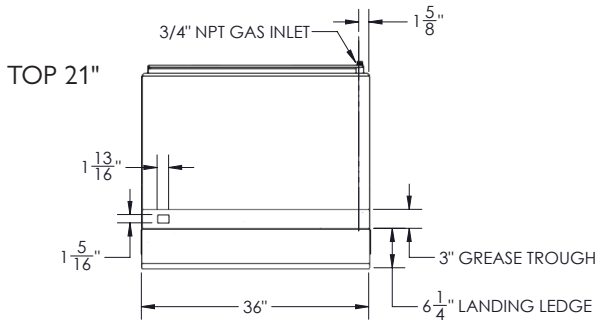
Model ARTG-24

Description:

American Range ARTG or ARMG griddle with a stainless steel sides, front and landing ledge. Polished 1" (25mm) thick steel griddle plate provides even heat distribution and retention. Thermostatic controlled (ARTG) U-shaped 30,000 BTU/hr. burner for every 12" of cooking surface for even cooking. Manual controlled griddle (ARMG) U-shaped 30,000 BTU/hr. burners with manual controls. Sizes are 12", 24", 36", 48", 60", 72". Two cooking depths to choose from 21" or 24". Standard 4" adjustable legs. Two year parts and labor warranty.



THERMOSTATIC/MANUAL GRIDDLE



Shipping Weight*

Manual Griddle 21" Plate	Thermostatic Griddle 21" Plate	Width (mm)	Depth (mm)	Height (mm)	Burners	Total BTU	(kW)	Lbs	(kg)
ARMG-24	ARTG-24	24" (610)	32" (813)	17" (432)	2	60,000	(18)	254	(115)
ARMG-36	ARTG-36	36" (914)	32" (813)	17" (432)	3	90,000	(26)	343	(156)
ARMG-48	ARTG-48	48" (1219)	32" (813)	17" (432)	4	120,000	(35)	438	(199)
ARMG-60	ARTG-60	60" (1524)	32" (813)	17" (432)	5	150,000	(44)	600	(272)
ARMG-72	ARTG-72	72" (1829)	32" (813)	17" (432)	6	180,000	(53)	700	(318)

Manual Griddle 24" Plate	Thermostatic Griddle 24" Plate	Width (mm)	Depth (mm)	Height (mm)	Burners	Total BTU	(kW)	Lbs	(kg)
ARMG-24	ARTG-24	24" (610)	35" (889)	17" (432)	2	60,000	(18)	280	(127)
ARMG-36	ARTG-36	36" (914)	35" (889)	17" (432)	3	90,000	(26)	385	(175)
ARMG-48	ARTG-48	48" (1219)	35" (889)	17" (432)	4	120,000	(35)	490	(222)
ARMG-60	ARTG-60	60" (1524)	35" (889)	17" (432)	5	150,000	(44)	665	(302)
ARMG-72	ARTG-72	72" (1829)	35" (889)	17" (432)	6	180,000	(53)	770	(349)

SPECIFY GRIDDLE PLATE DEPTH WHEN ORDERING

- Specify type of gas and altitude if over 2000 feet.
- Please specify gas type when ordering.

COMBUSTIBLE WALL CLEARANCES:

For use only on non-combustible floors. Legs or casters are required, or 2" (51) overhang is required when curb mounted. Clearance from non-combustible walls is 0". When unit is placed next to combustible walls, clearances must exceed 12" (305) from sides, and 4" (102) from rear.

Commercial cooking equipment requires an adequate ventilation system. For additional information, refer to the National Fire Protection Association's standard.

NFPA96 "Vapor Removal from Cooking Equipment."
 (NOTE: For North America only)

Subject to change without notice.

NMFCODE: 25970-2 Class: 85

*Shipping weight includes packaging and is approximate.

MANIFOLD PRESSURE		
NATURAL GAS	PROPANE GAS	MANIFOLD SIZE
5.0" W.C.	10.0" W.C.	3/4" (19MM)

Optional Stainless Steel Shelf

Model	Lbs.	(kg)
ESS-24	47	(21)
ESS-36	54	(24)
ESS-48	72	(33)
ESS-60	99	(45)
ESS-74	110	(50)



A70156 RevB 05252023



13592 Desmond St Pacoima CA 91331
 T. 818.897.0808 Toll Free: 888.753.9898
www.AmericanRange.com