

**MODEL: IUC-UC27R /IUC-UC36R/
 IUC-UC48R/IUC-UC60R / IUC-UC72R**

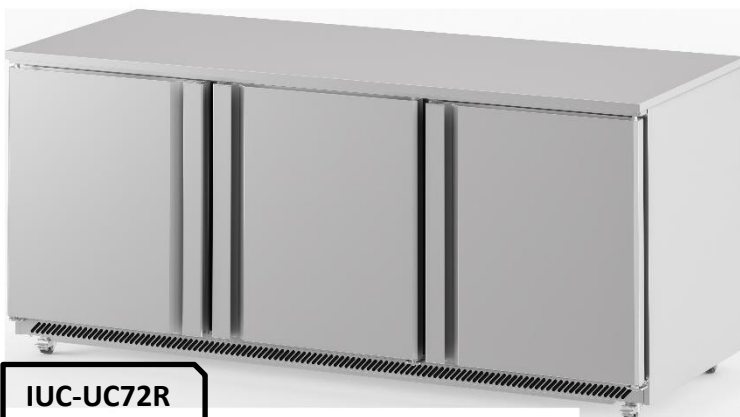
**UNDERCOUNTER:
 Refrigerators**



IUC-UC27R



IUC-UC48R



IUC-UC72R

GENERAL FEATURES

- ✓ **Higher energy efficiency.** R290 refrigerant with electric fans and evaporative tray without electric resistances.
- ✓ **Sanitation.** The interior cabinet is built for easy cleaning. Quick ability to take off shelves and slides for interior cleaning.
- ✓ **Doors.** Self-closing door system with permanent pressure. Stay open feature included when door remain open after 95 degrees. All doors include triple chamber door gaskets, easy to remove and shap in.
- ✓ **Control System.** Greater ability for the adjustment of temperature range as per the end user's requirements.
- ✓ **100% Tested.** All condensing units undergo rigorous testing in helium chambers for refrigerant leak detection and a final equipment test in a state-of-the-art test room.
- ✓ **Certified.** Audited and Certified by INTERTEK for compliance with UL 471 and NSF 7.



**MODEL: IUC-UC27R /IUC-UC36R/
 IUC-UC48R/IUC-UC60R / IUC-UC72R**

**UNDERCOUNTER:
 Refrigerators**

STANDARD FEATURES

➤ **Exterior**

- AISI 304 Stainless Steel Top.
- AISI 430 Stainless Steel.

➤ **Interior**

- AISI 430 Stainless Steel.

➤ **Door**

- Polyurethane insulated door.
- Self-closing door with stay open feature.
- Stainless Steel heavy-duty hinges.
- Triple chamber snap in door gaskets for easy removal and cleaning.
- Field reversible door (parts not included).
- Full-height door opening: 23-1/4" x 21-7/8" (590x555 mm).

➤ **Insulation**

- CFC- Free polyurethane insulation, entire cabinet structure is foamed-in using a high-density polyurethane insulation.
- Low GWP & Zero ODP effect.

➤ **Casters**

- 2" Diameter casters already installed.
- Locks provided on front set.

OPTIONAL FEATURES

- ✓ Drawer kit, compatible with: 12"x20" pans (GN1/1) (pans not included).
- ✓ Electrical connection is 230 V / 1 ph / 50 Hz (Plug type varies).
- ✓ Single overshelf kit.
- ✓ Double overshelf kit.
- ✓ 4" backsplash.
- ✓ Set of 2" diameter casters, with lock provided on front set.

➤ **Shelving**

- (2) Two plastic coated wire shelves.
- Set of Stainless- Steel shelf brackets.
- Easy remove for cleaning.
- Dimensions WxD: 22-1/4" x 17" (GN2/1) (565x432 mm).

➤ **Refrigeration**

- Temperature regulated by thermostatic control.
- Energy- saving non-electric condensate pan.
- Evaporator coil coated with anti-corrosion material 100% polyester.
- Forced air refrigeration system.
- Electric fans.
- **Refrigeration capacity:**
 IUC-UC27R - 2120 Btu/h(14°F)/ 443 W(-10°C).
 IUC-UC36R - 2120 Btu/h(14°F)/ 443 W(-10°C).
 IUC-UC48R - 2120 Btu/h(14°F)/ 443 W(-10°C).
 IUC-UC60R –3427 Btu/h (14°F) / 443 W(-10°C).
 IUC-UC72R – 3427 Btu/h (14°F) / 621 W(-10°C).

➤ **Electrical**

- Cord and NEMA 5-P plug,
- Electrical connection is 115V / 1ph / 60 Hz.
- 15 AMP breakers required.

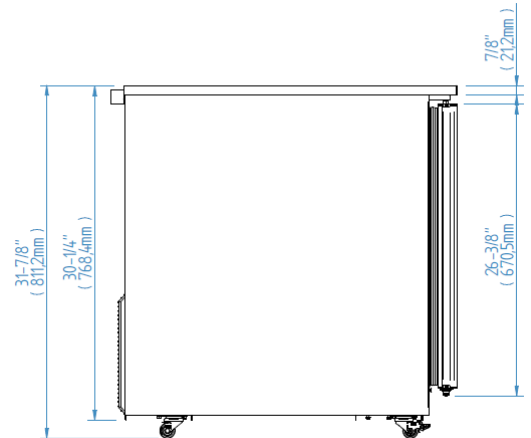
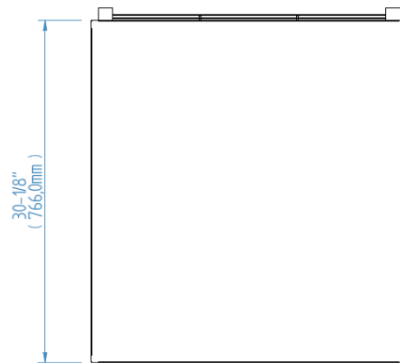
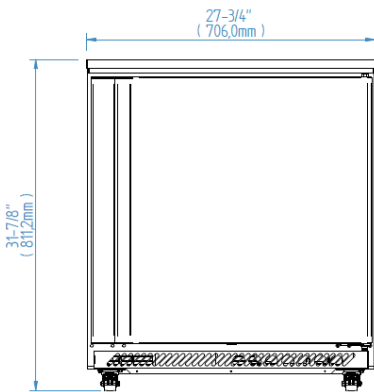


➤ **ETL Listed to UL471 Standard and Sanitation classified to NSF7.**

**MODEL: IUC-UC27R /IUC-UC36R/
 IUC-UC48R/IUC-UC60R / IUC-UC72R** **UNDERCOUNTER:
 Refrigerators**

Model	Dimensions (inches) (mm)			Doors	Shelves	Ref.	Ref.Weight (Lbs.) (gr.)	Temperature Range (°F) (°C)	Cond. Unit (H.P)	Capacity (Cu.Ft.) (L)	Case Amps 115V	Net weight (Lbs.) (Kg.)
	W	D	H									
IUC-UC27R	27-3/4 (706)	30-1/8 (766)	31-7/8 (811)	1	2	R290	0,15 (70)	33°F / 38°F (0°C / +4°C)	1/4	8 (226)	3,42	270 (122)
IUC-UC36R	36-1/2 (927.1)	30-1/8 (766)	31-7/8 (811)	2	4	R290	0,22 (100)	33°F / 38°F (0°C / +4°C)	1/4	11 (311)	3,44	309 (140)
IUC-UC48R	48-1/2 (1231)	30-1/8 (766)	31-7/8 (811)	2	4	R290	0,22 (100)	33°F / 38°F (0°C / +4°C)	1/4	14 (396)	3,44	350 (159)
IUC-UC60R	60-1/2 (1537)	30-1/8 (766)	31-7/8 (811)	2	4	R290	0,24 (110)	33°F / 38°F (0°C / +4°C)	1/4	17 (481)	3,44	400 (181)
IUC-UC72R	72-3/4 (1848)	30-1/8 (766)	31-7/8 (811)	3	6	R290	0,24 (110)	33°F / 38°F (0°C / +4°C)	1/3	21 (594)	4,67	506 (230)

ELEVATION PLAN VIEW RIGHT VIEW



IUC-UC27R

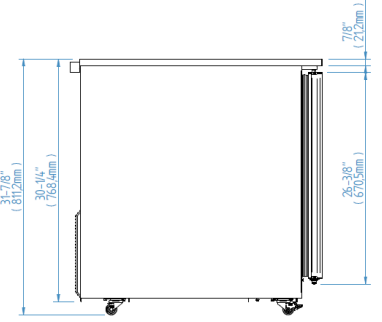
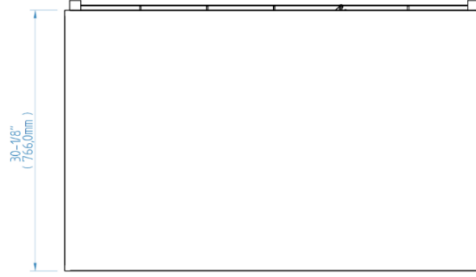
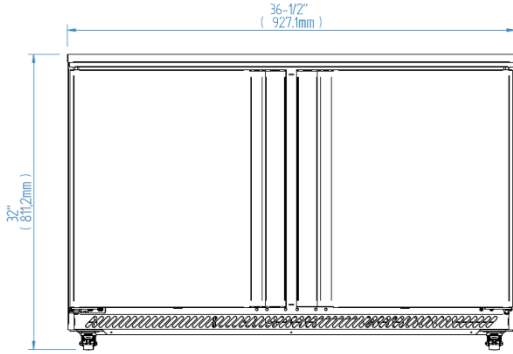
**MODEL: IUC-UC27R / IUC-UC36R /
 IUC-UC48R / IUC-UC60R / IUC-UC72R**

**UNDERCOUNTER:
 Refrigerators**

ELEVATION

PLANT VIEW

RIGHT VIEW

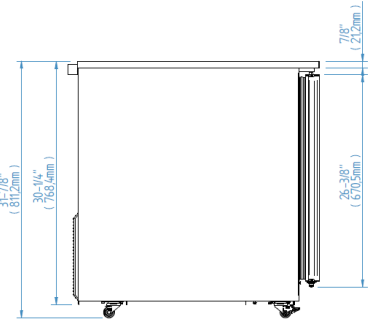
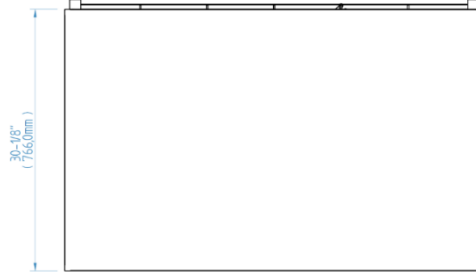
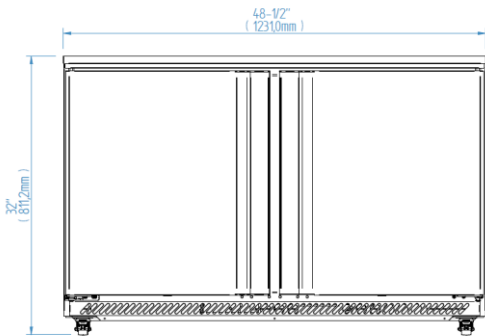


IUC-UC36R

ELEVATION

PLANT VIEW

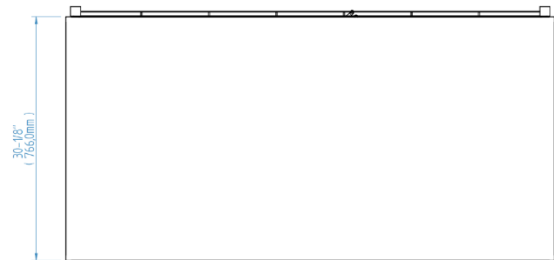
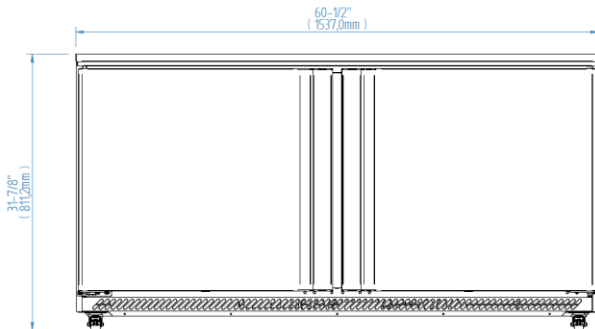
RIGHT VIEW



IUC-UC48R

ELEVATION

PLANT VIEW

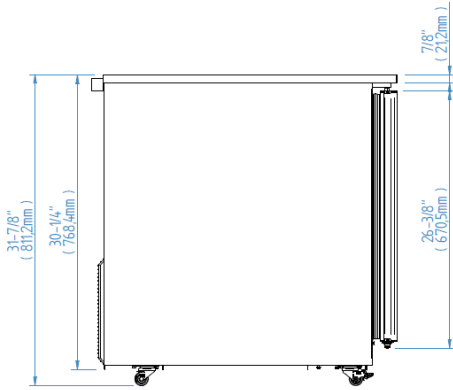


ETL LISTED TO UL471 STANDARD AND SANITATION CLASSIFIED TO NSF7 – WE RESERVE THE RIGHT TO CHANGE SPECIFICATIONS WITHOUT PRIOR NOTICE

**MODEL: IUC-UC27R / IUC-UC36R /
 IUC-UC48R / IUC-UC60R / IUC-UC72R**

**UNDERCOUNTER:
 Refrigerators**

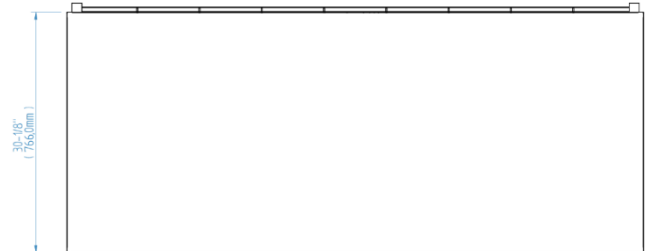
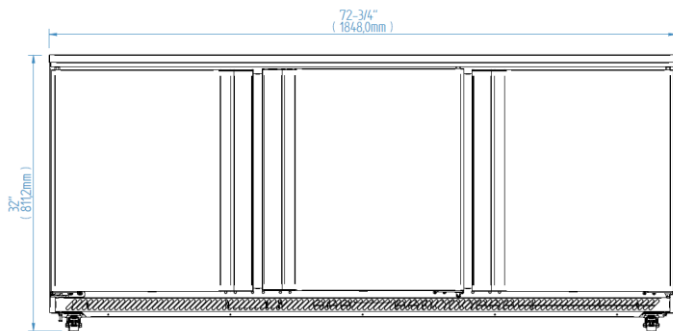
RIGHT VIEW



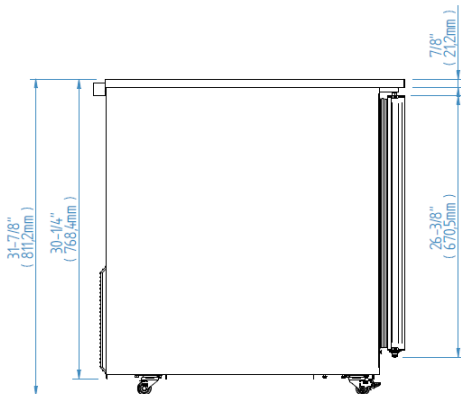
IUC-UC60R

ELEVATION

PLANT VIEW



RIGHT VIEW



IUC-UC72R