

3. Undercounters & Worktops





Undercounter Refrigerators and Freezers

Models	Description	Page
IUC-UC27R	1 Solid Door Refrigerator - 8 ft ³	38
IUC-UC36R	2 Solid Door Refrigerator - 11 ft ³	38
IUC-UC48R	2 Solid Door Refrigerator - 14 ft ³	38
IUC-UC60R	2 Solid Door Refrigerator - 17 ft ³	38
IUC-UC72R	3 Solid Door Refrigerator - 21 ft ³	38
IUC-UC27RCR	1 Glass Door Refrigerator - 8 ft ³	38
IUC-UC36RCR	2 Glass Door Refrigerator - 11 ft ³	38
IUC-UC48RCR	2 Glass Door Refrigerator - 14 ft ³	38
IUC-UC60RCR	2 Glass Door Refrigerator - 17 ft ³	38
IUC-UC72RCR	3 Glass Door Refrigerator - 21 ft ³	38
IUC-UC27F	1 Solid Door Freezer - 8 ft ³	38
IUC-UC36F	2 Solid Door Freezer - 11 ft ³	38
IUC-UC48F	2 Solid Door Freezer - 14 ft ³	38
IUC-UC60F	2 Solid Door Freezer - 17 ft ³	38

Shallow Depth Worktop Refrigerators and Freezers

Models	Description	Page
IUC-UC27RW	1 Solid Door Refrigerator - 8 ft ³	40
IUC-UC36RW	2 Solid Door Refrigerator - 11 ft ³	40
IUC-UC48RW	2 Solid Door Refrigerator - 14 ft ³	40
IUC-UC60RW	2 Solid Door Refrigerator - 17 ft ³	40
IUC-UC72RW	3 Solid Door Refrigerator - 21 ft ³	40
IUC-UC27WCR	1 Glass Door Refrigerator - 8 ft ³	40
IUC-UC36WCR	2 Glass Door Refrigerator - 11 ft ³	40
IUC-UC48WCR	2 Glass Door Refrigerator - 14 ft ³	40
IUC-UC60WCR	2 Glass Door Refrigerator - 17 ft ³	40
IUC-UC72WCR	3 Glass Door Refrigerator - 21 ft ³	40
IUC-UC27FW	1 Solid Door Freezer - 8 ft ³	40
IUC-UC36FW	2 Solid Door Freezer - 11 ft ³	40
IUC-UC48FW	2 Solid Door Freezer - 14 ft ³	40
IUC-UC60FW	2 Solid Door Freezer - 17 ft ³	40



WorkTop Refrigerators and Freezers

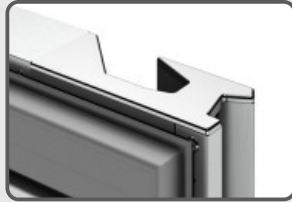
Models	Description	Page	Models	Description	Page
IUC-MR41	1 Solid Door Refrigerator - 7.8 ft ³	42	IUC-MR41BT	1 Solid Door Freezer - 7.8 ft ³	42
IUC-MR67	2 Solid Door Refrigerator - 17 ft ³	42	IUC-MR67BT	2 Solid Door Freezer - 17 ft ³	42
IUC-MR93	3 Solid Door Refrigerator - 27 ft ³	42			



Specifications



Triple chamber snap in door gasket for easy cleaning. AISI 430 Stainless Steel Interior & Exterior cabinet construction. AISI 304 Stainless Steel Top.



Double handle door



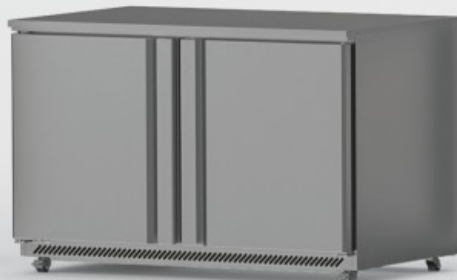
Rounded corners & sealed interior floor, NSF7, including drain plug for cleaning.



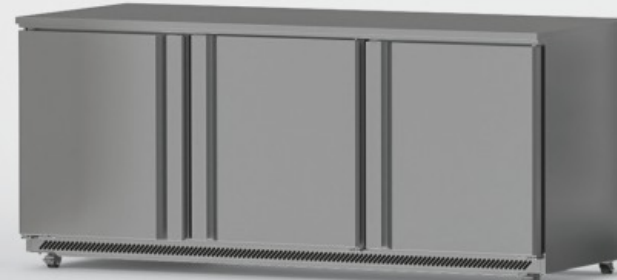
Removable side mounted condensing unit for easy service.



UC27R CR



UC48R



UC72R

Undercounters / Shallow Depth Worktop refrigerators & freezers

Exterior

- AISI 430 stainless steel
- AISI 304 stainless steel top

Interior

- AISI 430 stainless steel

Insulation

- CFC-Free polyurethane insulation, entire cabinet structure is foamed-in place using a high density polyurethane insulation - Low GWP & Zero ODP effect

Shelving

- [2] Two plastic coated wire shelves per section.

Doors

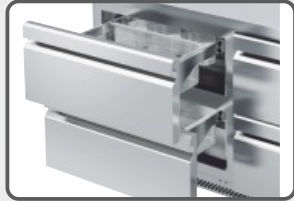
- Polyurethane insulated doors
- Self closing doors with stay open feature
- Stainless Steel heavy-duty hinges
- Triple chamber snap in door gaskets for easy removal and cleaning
- Heated door frame to avoid accumulation of ice, (Models F)
- Field reversible doors
- Door opening WxH: 23-1/4"x21-7/8" [UC27F]; 19-5/8"x21-7/8" [UC48F]; 25-5/8"x21-7/8"[UC60F]

Refrigeration

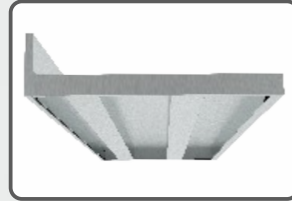
- Temperature regulated by thermostatic control
- Hot gas defrost, (Models BT, F)
- Energy-saving non-electric condensate pan
- Evaporator coil coated with anti-corrosion material 100% Polyester
- Forced air refrigeration system



Protected digital Controller, with automatic Defrost.



Each guide supports up to 132 lb.



Omega reinforcement in W and MR models



UC60RW CR



MR93

Worktop refrigerators & freezers

Exterior

- AISI 430 stainless steel
- AISI 304 stainless steel top

Interior

- AISI 430 stainless steel
- Internal drain plug for easy cleaning
- Sealed interior floors and rounded cabinet corners

Insulation

- CFC-Free polyurethane insulation, entire cabinet structure is foamed-in place using a high density polyurethane insulation
- Low GWP & Zero ODP effect

Shelving

- (2) Two plastic coated wire shelves per section.

Doors

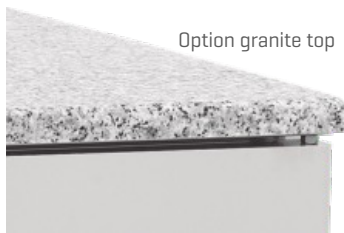
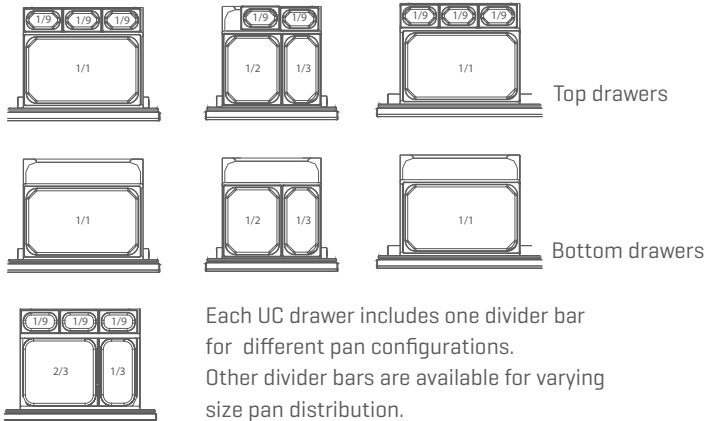
- Polyurethane insulated doors
- Self closing doors with stay open feature
- Stainless Steel heavy-duty hinges
- Triple chamber snap in door gaskets for easy removal and cleaning
- Heated door frame to avoid accumulation of ice, (Models BT, F)
- Field reversible doors
- Doors locks
- Door opening WxH: 21-5/8" x 20-5/8"

Refrigeration

- Digital temperature controller with automatic defrost system
- Hot gas defrost, (Models BT)
- Energy-saving non-electric condensate pan
- Extractable condensing unit for easy service
- Evaporator coil coated with anti-corrosion material 100% Polyester
- Forced air refrigeration system
- 100°F ambient

Undercounter Refrigerators

UC Series

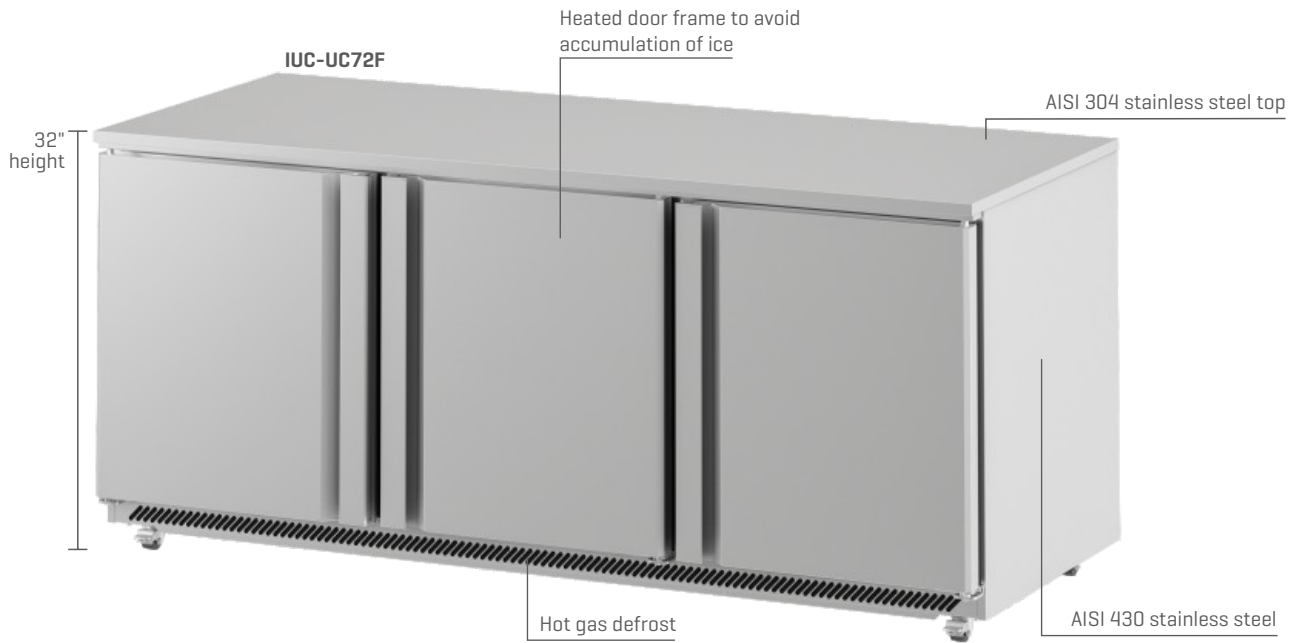


MOD.	Overall Dimensions			Doors	(°F)	(ft ³)	(HP)	115V	[Lbs]	DOE
IUC-UC27R	27-5/8	30-1/8	32	1	33°F/38°F	8.0	1/4	3.9	270	Hydrocarbon R-290
IUC-UC36R	36-1/8	30-1/8	32	2	33°F/38°F	11.0	1/4	4.1	310	Hydrocarbon R-290
IUC-UC48R	48-1/8	30-1/8	32	2	33°F/38°F	14.0	1/4	4.1	354	Hydrocarbon R-290
IUC-UC60R	60-3/8	30-1/8	32	2	33°F/38°F	17.0	1/4	4.1	430	Hydrocarbon R-290
IUC-UC72R	72-5/8	30-1/8	32	3	33°F/38°F	21.0	1/3	4.6	506	Hydrocarbon R-290
IUC-UC27RCR	27-5/8	30-1/8	32	1	33°F/38°F	8.0	1/4	3.9	300	Hydrocarbon R-290
IUC-UC36RCR	36-1/8	30-1/8	32	2	33°F/38°F	11.0	1/4	4.1	344	Hydrocarbon R-290
IUC-UC48RCR	48-1/8	30-1/8	32	2	33°F/38°F	14.0	1/4	4.1	393	Hydrocarbon R-290
IUC-UC60RCR	60-3/8	30-1/8	32	2	33°F/38°F	17.0	1/4	4.1	477	Hydrocarbon R-290
IUC-UC72RCR	72-5/8	30-1/8	32	3	33°F/38°F	21.0	1/3	4.6	561	Hydrocarbon R-290
IUC-UC27F	27-5/8	30-1/8	32	1	0°F	8.0	1/2	5.0	270	Hydrocarbon R-290
IUC-UC36F	36-1/8	30-1/8	32	2	0°F	11.0	1/2	5.3	310	Hydrocarbon R-290
IUC-UC48F	48-1/8	30-1/8	32	2	0°F	14.0	1/2	5.3	360	Hydrocarbon R-290
IUC-UC60F	60-3/8	30-1/8	32	2	0°F	17.0	1/2	5.3	430	Hydrocarbon R-290

Height already includes 2-3/64" for casters

Undercounter Freezers

UC Series



3 UNDERCOUNTERS

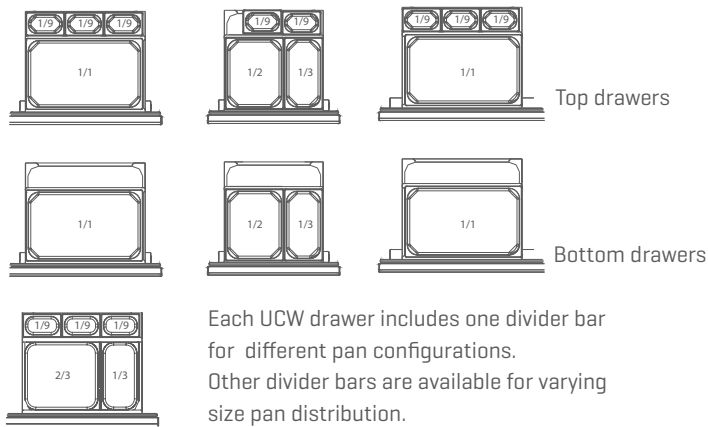


STANDARD FEATURES

ELECTRICAL	Electrical connection is 115V / 1ph / 60Hz	Cord and NEMA 5-15P plug	Electronic fan motors
OPTIONAL DRAWER KIT COMPATIBLE WITH:	12"x20" [UC27/UC60] pans 1/2+1/3 [UC48] pans +Uc72 [Pans not included]		
OPTIONS Cap.10 [Accessories & parts]	Drawer kit Single Overshelf Double Overshelf	Set of 2" casters [locking on front set] Granite Top	

Shallow Depth Worktop Refrigerators

UCW Series



MOD.	Overall Dimensions (including backsplash)			Doors	(°F)	(ft ³)	(HP)	115V	[Lbs]	DOE
IUC-UC27RW	27-5/8	30-1/8	39	1	33°F/38°F	8.0	1/4	3.9	270	Hydrocarbon R-290
IUC-UC36RW	36-1/8	30-1/8	39	2	33°F/38°F	14.0	1/4	4.1	310	Hydrocarbon R-290
IUC-UC48RW	48-1/8	30-1/8	39	2	33°F/38°F	14.0	1/4	4.1	354	Hydrocarbon R-290
IUC-UC60RW	60-3/8	30-1/8	39	2	33°F/38°F	17.0	1/4	4.1	430	Hydrocarbon R-290
IUC-UC72RW	72-5/8	30-1/8	39	3	33°F/38°F	21.0	1/3	4.6	506	Hydrocarbon R-290
IUC-UC27RWCR	27-5/8	30-1/8	39	1	33°F/38°F	8.0	1/4	3.9	270	Hydrocarbon R-290
IUC-UC36RWCR	36-1/8	30-1/8	39	2	33°F/38°F	14.0	1/4	4.1	344	Hydrocarbon R-290
IUC-UC48RWCR	48-1/8	30-1/8	39	2	33°F/38°F	14.0	1/4	4.1	393	Hydrocarbon R-290
IUC-UC60RWCR	60-3/8	30-1/8	39	2	33°F/38°F	17.0	1/4	4.1	477	Hydrocarbon R-290
IUC-UC72RWCR	72-5/8	30-1/8	39	3	33°F/38°F	21.0	1/3	4.6	561	Hydrocarbon R-290
IUC-UC27FW	27-5/8	30-1/8	39	1	0°F	8.0	1/2	5.0	270	Hydrocarbon R-290
IUC-UC36FW	36-1/8	30-1/8	39	2	0°F	14.0	1/2	5.3	310	Hydrocarbon R-290
IUC-UC48FW	48-1/8	30-1/8	39	2	0°F	14.0	1/2	5.3	360	Hydrocarbon R-290
IUC-UC60FW	60-3/8	30-1/8	39	2	0°F	17.0	1/2	5.3	430	Hydrocarbon R-290

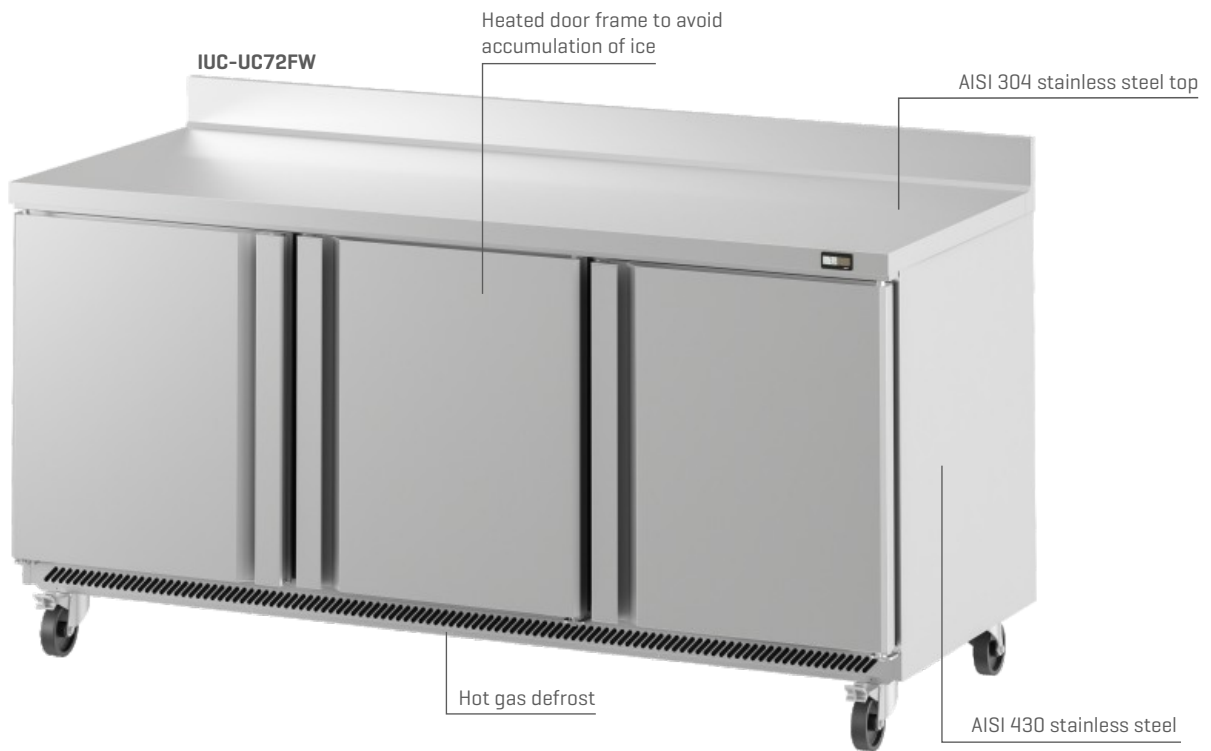
Height already includes 5-1/8" for casters

Shallow Depth Worktop Freezers

UCW Series



3 UNDERCOUNTERS



STANDARD FEATURES

ELECTRICAL	Electrical connection is 115V / 1ph / 60Hz	Cord and NEMA 5-15P plug	Electronic fan motors
OPTIONAL DRAWER KIT COMPATIBLE WITH:	12"x20" [UC27/UC60] pans 1/2+1/3 [UC48] pans +Uc72 [Pans not included]		
OPTIONS Cap.10 [Accessories & parts]	Drawer kit Single Overshelf Double Overshelf	Set of 2" casters [locking on front set] Without backsplash Granite Top	

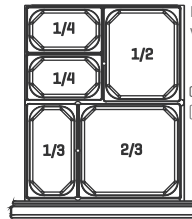
MR Series

WorkTop Refrigerators

MR Series

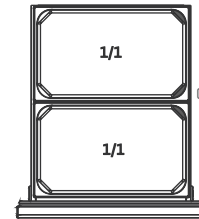


Protected digital Controller, with automatic Defrost



Divider bars are available for varying size pan distribution

Optional divider bar (cod: 10UC27134)



Optional divider bar (cod: 10UC2749)

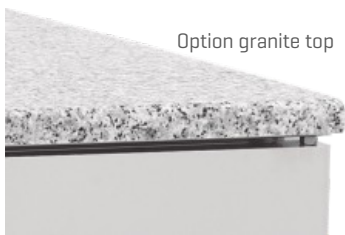
MOD.	Overall Dimensions			Doors	(°F)	(ft ³)	(HP)	115V (Amps)	[Lbs]	DOE
IUC-MR41	41-3/8	32-5/8	39	1	33°F / 38°F	7.8	1/4	4.1	362	Hydrocarbon R-290
IUC-MR67	67-3/8	32-5/8	39	2	33°F / 38°F	17.0	1/3	4.6	510	Hydrocarbon R-290
IUC-MR93	93-1/4	32-5/8	39	3	33°F / 38°F	27.0	1/3	4.6	690	Hydrocarbon R-290
IUC-MR41BT	41-3/8	32-5/8	39	1	0°F	7.8	1/2	5.0	370	Hydrocarbon R-290
IUC-MR67BT	67-3/8	32-5/8	39	2	0°F	17.0	3/4	7.0	510	Hydrocarbon R-290

Height already includes 7-7/8" for casters

WorkTop Freezers

MR Series

3 UNDERCOUNTERS



STANDARD FEATURES

<p>ELECTRICAL DOE</p>	<p>Electrical connection is 115V / 1ph / 60Hz</p>	<p>Cord and NEMA 5-15P plug</p>
<p>OPTIONS Cap.10 (Accessories & parts)</p>	<p>Stainless Steel wire shelves Drawer kit Single Overshelf</p>	<p>Double Overshelf 4" Whithout Backsplash Granite Top</p>