

**MODEL: IRT-UC27P / IRT-UC36P
 IRT-UC48P / IRT-UC60P / IRT-UC72P**

SANDWICH / SALAD PREP TABLES



IRT-UC27P



IRT-UC48P



IRT-UC72P

GENERAL FEATURES

- ✓ **Higher energy efficiency.** R290 refrigerant with electric fans and evaporative tray without electric resistances.
- ✓ **Sanitation.** The interior cabinet is built for easy cleaning. Quick ability to take off shelves and slides for interior cleaning.
- ✓ **Doors.** Self-closing door system with permanent pressure. Stay open feature included when door remain open after 95 degrees. All doors include triple chamber door gaskets, easy to remove and shap in.
- ✓ **Control System.** Greater ability for the adjustment of temperature range as per the end user's requirements.
- ✓ **100% Tested.** All condensing units undergo rigorous testing in helium chambers for refrigerant leak detection and a final equipment test in a state-of-the-art test room.
- ✓ **Certified.** Audited and Certified by INTERTEK for compliance with UL 471 and NSF 7.



**MODEL: IRT-UC27P / IRT-UC36P
 IRT-UC48P / IRT-UC60P / IRT-UC72P**

SANDWICH / SALAD PREP TABLES

STANDARD FEATURES

➤ **Exterior**

- AISI 304 Stainless Steel Top.
- AISI 430 Stainless Steel.

➤ **Interior**

- AISI 430 Stainless Steel.

➤ **Door**

- Polyurethane insulated door.
- Self-closing door with stay open feature.
- Stainless Steel heavy-duty hinges.
- Triple chamber snap in door gaskets for easy removal and cleaning.
- Field reversible door (parts not included).
- Full-height door opening: 23-1/4" x 21-7/8" (590x555 mm).

➤ **Insulation**

- CFC- Free polyurethane insulation, entire cabinet structure is foamed-in using a high-density polyurethane insulation.
- Low GWP & Zero ODP effect.

➤ **Casters**

- 4" Diameter casters already installed.
- Locks provided on front set.

OPTIONAL FEATURES

- ✓ Drawer kit, compatible with: 12"x20" pans (GN1/1) (pans not included).
- ✓ Electrical connection is 230 V / 1 ph / 50 Hz (Plug type varies).
- ✓ Single overshelf kit.
- ✓ Double overshelf kit.
- ✓ Flar kit.
- ✓ Flat id.
- ✓ Set of 2" diameter casters, with lock provided on front set.

➤ **Shelving**

- (2) Plastic coated wire shelves.
- Set of Stainless- Steel shelf brackets.
- Easy remove for cleaning.
- Dimensions WxD: 22-1/4" x 17" (GN2/1) (565x432 mm).

➤ **Refrigeration**

- Temperature regulated by thermostatic control.
- Energy- saving non-electric condensate pan.
- Evaporator coil coated with anti-corrosion material 100% polyester.
- Forced air refrigeration system.
- Electric fans.
- **Refrigeration capacity:**
 IRT-UC27P - 1512 Btu/h(14°F)/ 443 W(-10°C).
 IUC-UC36P - 1512 Btu/h(14°F)/ 443 W(-10°C).
 IUC-UC48P - 1512 Btu/h(14°F)/ 443 W(-10°C).
 IUC-UC60P -1512 Btu/h (14°F) / 443 W(-10°C).
 IUC-UC72P -2120 Btu/h (14°F) / 621W(-10°C).

➤ **Electrical**

- Cord and NEMA 5-P plug,
- Electrical connection is 115V / 1ph / 60 Hz.
- 15 AMP breakers required.



➤ **ETL Listed to UL471 Standard and Sanitation classified to NSF7.**

**MODEL: IRT-UC27P / IRT-UC36P
 IRT-UC48P / IRT-UC60P / IRT-UC72P**

SANDWICH / SALAD PREP TABLES

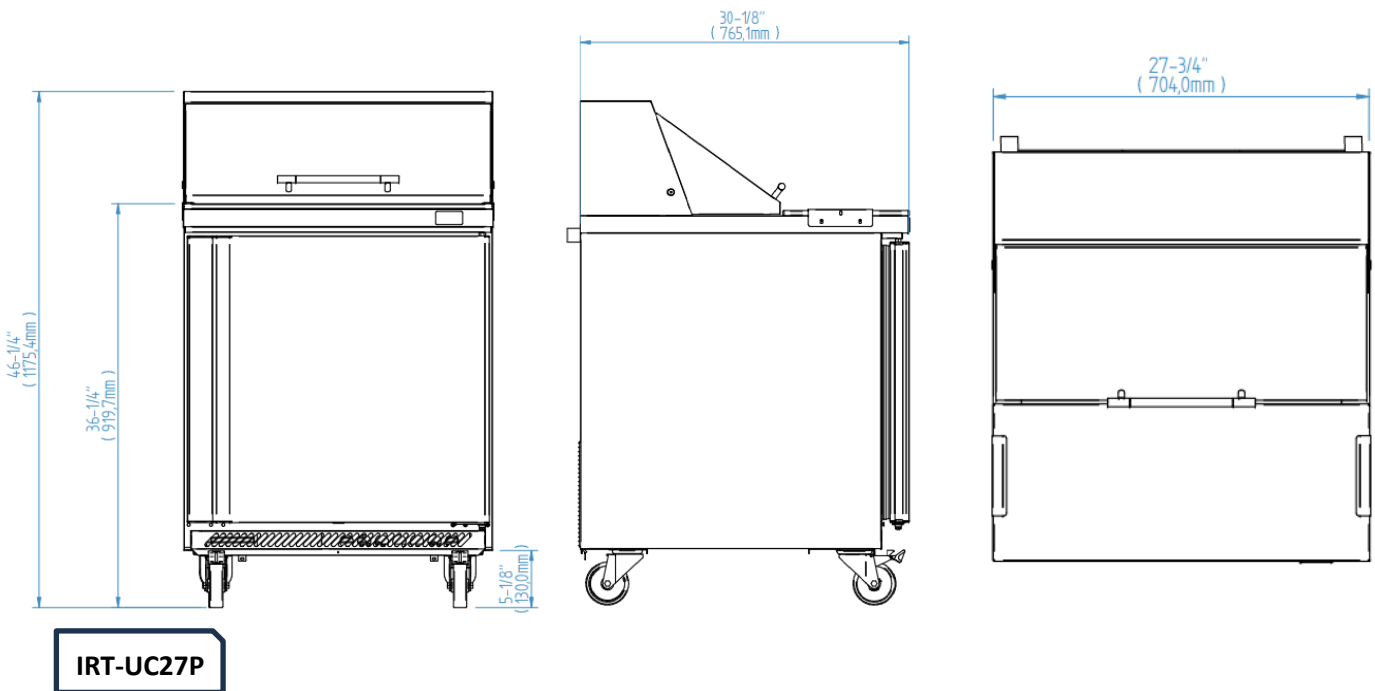
| Model | Dimensions (inches) (mm) | | | Doors | Shelves | Ref. | Ref.Weight (Lbs.) (gr.) | Temperatu re Range (°F) (°C) | Cond. Unit (H.P) | Capacity (Cu.Ft.) (L) | Case Amps 115V | Net weight (Lbs.) (Kg.) |
|-----------|-----------------------------|-----------------|------------------|-------|---------|------|----------------------------|------------------------------------|------------------------|--------------------------|----------------------|----------------------------------|
| | W | D | H | | | | | | | | | |
| IRT-UC27P | 27-3/4 (704) | 30-1/8 (795) | 46-1/4 (1175) | 1 | 2 | R290 | 0,15 (70) | 35 °F / 41 °F (0°C/+6°C) | 1/4 | 8 (200) | 3,53 | 300 (136) |
| IRT-UC36P | 36-1/2 (927) | 30-1/8 (766) | 46-1/4 (811) | 2 | 4 | R290 | 0,22 (100) | 35 °F / 41 °F (0°C/+6°C) | 1/4 | 14 (380) | 3,53 | 400 (181) |
| IRT-UC48P | 48-1/2 (1231) | 30-1/8 (766) | 46-1/4 (811) | 2 | 4 | R290 | 0,22 (100) | 35 °F / 41 °F (0°C/+6°C) | 1/4 | 14 (380) | 3,53 | 400 (181) |
| IRT-UC60P | 60-1/2 (1537) | 30-1/8 (766) | 46-1/4 (811) | 2 | 4 | R290 | 0,24 (110) | 35 °F / 41 °F (0°C/+6°C) | 1/4 | 17 (480) | 3,53 | 430 (195) |
| IRT-UC72P | 72-5/8 (1837) | 30-1/8 (766) | 46-1/4 (811) | 3 | 6 | R290 | 0,24 (110) | 35 °F / 41 °F (0°C/+6°C) | 1/4 | 21 (590) | 4,76 | 500 (227) |

PLAN VIEW

ELEVATION

RIGHT VIEW

PLANT VIEW



IRT-UC27P

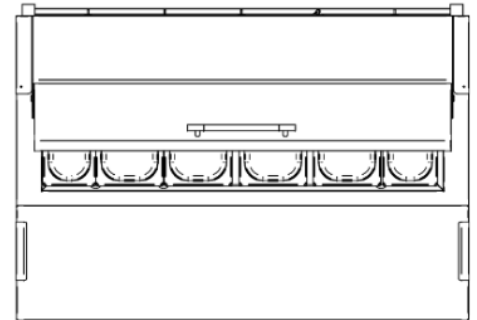
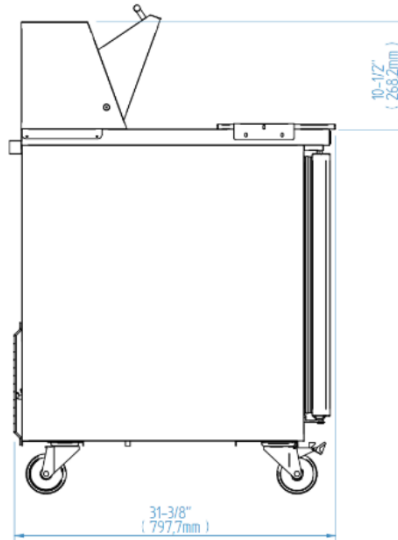
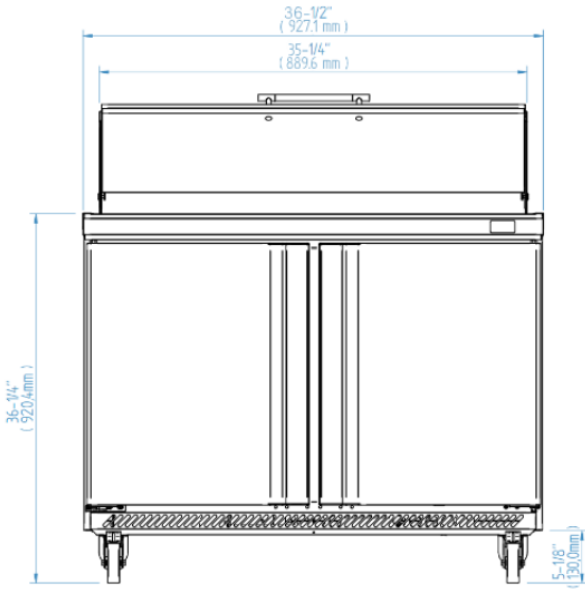
**MODEL: IRT-UC27P / IRT-UC36P
 IRT-UC48P / IRT-UC60P / IRT-UC72P**

SANDWICH / SALAD PREP TABLES

ELEVATION

RIGHT VIEW

PLAN VIEW

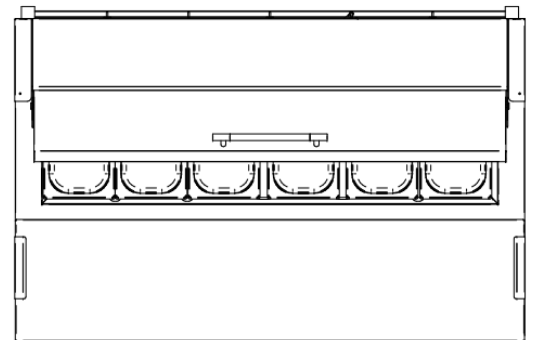
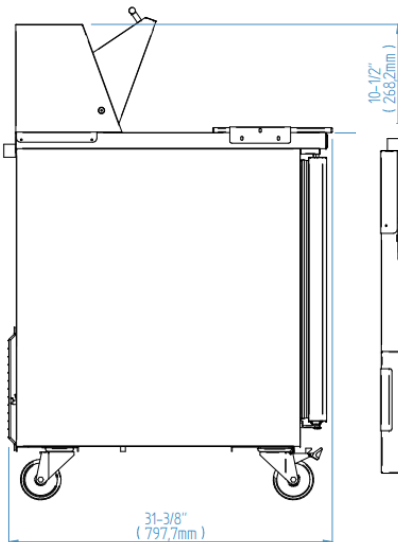
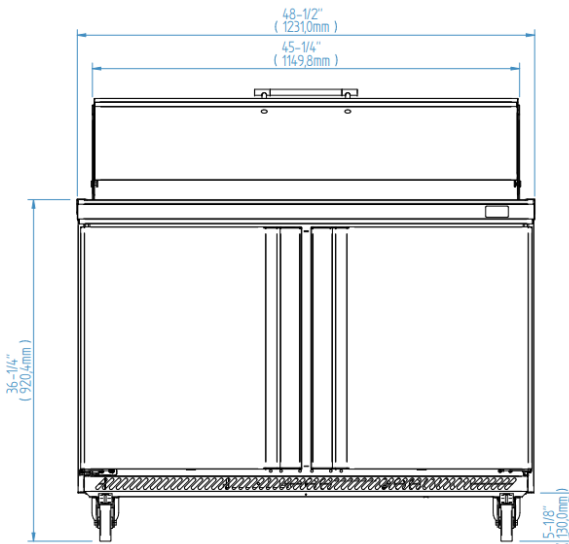


IRT-UC36P

ELEVATION

RIGHT VIEW

PLAN VIEW



IRT-UC48P

ETL LISTED TO UL471 STANDARD AND SANITATION CLASSIFIED TO NSF7 – WE RESERVE THE RIGHT TO CHANGE SPECIFICATIONS WITHOUT PRIOR NOTICE



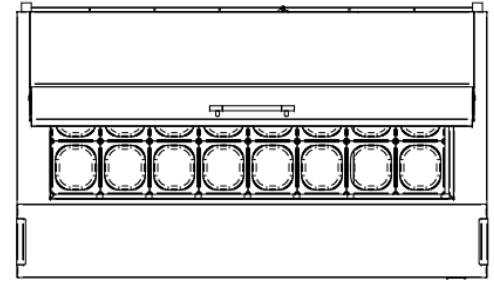
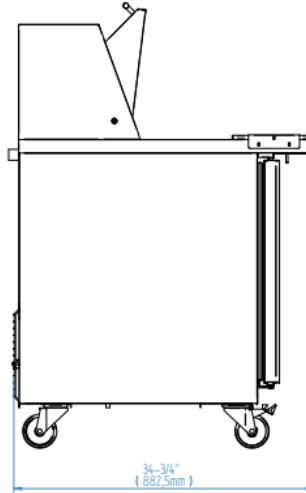
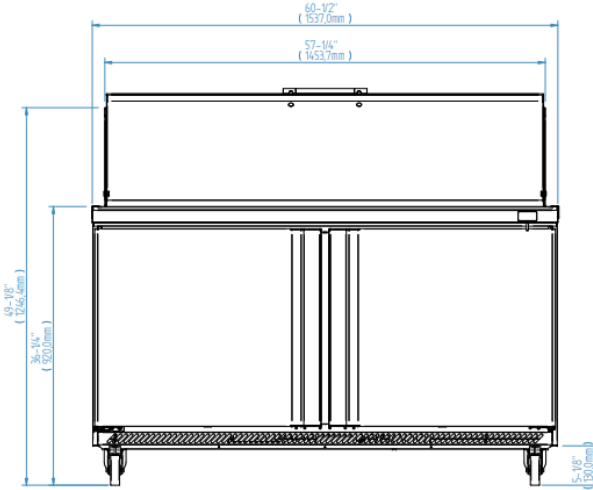
**MODEL: IRT-UC27P / IRT-UC36P
 IRT-UC48P / IRT-UC60P / IRT-UC72P**

SANDWICH / SALAD PREP TABLES

ELEVATION

RIGHT VIEW

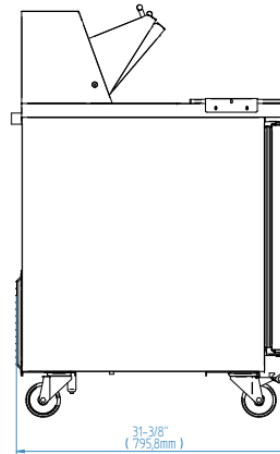
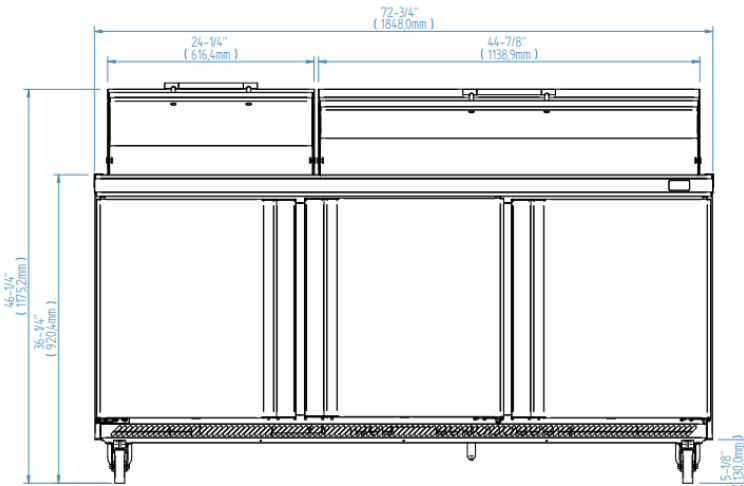
PLANT VIEW



IRT-UC60P

ELEVATION

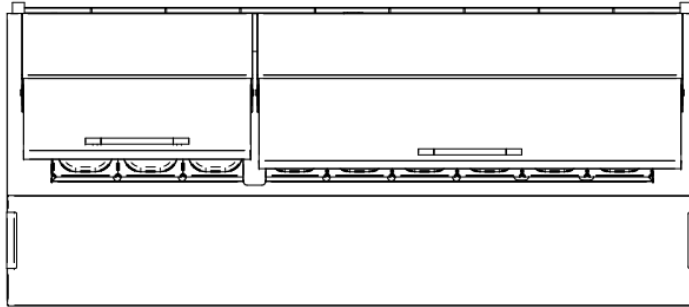
RIGHT VIEW



**MODEL: IRT-UC27P / IRT-UC36P
IRT-UC48P / IRT-UC60P / IRT-UC72P**

SANDWICH / SALAD PREP TABLES

PLAN VIEW



IRT-UC72P

ETL LISTED TO UL471 STANDARD AND SANITATION CLASSIFIED TO NSF7 – WE RESERVE THE RIGHT TO CHANGE SPECIFICATIONS WITHOUT PRIOR NOTICE