

**MODEL: IRT-MPG1490/IRT-MPG1980
 IRT-MR67GTCOMBO / IRT-MR93GTCOMBO**

**UNDERCOUNTER
 Granite Top Pizza Prep Tables**



GENERAL FEATURES

- ✓ **Higher energy efficiency.** R290 refrigerant with electric fans and evaporative tray without electric resistances.
- ✓ **Sanitation.** The interior cabinet is built for easy cleaning. Quick ability to take off shelves and slides for interior cleaning.
- ✓ **Doors.** Self-closing door system with permanent pressure. Stay open feature included when door remain open after 95 degrees. All doors include triple chamber door gaskets, easy to remove and shap in.
- ✓ **Control System.** Greater ability for the adjustment of temperature range as per the end user's requirements.
- ✓ **100% Tested.** All condensing units undergo rigorous testing in helium chambers for refrigerant leak detection and a final equipment test in a state-of-the-art test room.
- ✓ **Certified.** Audited and Certified by INTERTEK for compliance with UL 471 and NSF 7.



**MODEL: IRT-MPG1490/IRT-MPG1980
 IRT-MR67GTCOMBO / IRT-MR93GTCOMBO**

**UNDERCOUNTER
 Granite Top Pizza Prep Tables**

STANDARD FEATURES

➤ **Exterior**

- AISI 304 Stainless Steel
- Granite worktop.

➤ **Interior**

- AISI 304 Stainless Steel.
- Internal drain plug for easy cleaning.
- Sealed interior floors and rounded cabinet corners.

➤ **Door**

- Polyurethane insulated door.
- Self-closing door with stay open feature.
- Stainless Steel heavy-duty hinges.
- Four chamber snap in door gaskets for easy removal and cleaning.
- Full-height door opening: 14-3/4" x 20-5/8" (375x 526 mm).

➤ **Insulation**

- CFC- Free polyurethane insulation, entire cabinet structure is foamed-in using a high-density polyurethane insulation.
- Low GWP & Zero ODP effect.

➤ **Casters**

- Diameter casters already installed 7-7/8.
- Locks provided on front set.

OPTIONAL FEATURES

- ✓ Set of 6" legs, height adjustable from 5" to 8".
- ✓ Stainless Steel wire shelves.
- ✓ Additional slide kits.
- ✓ Single Overshelf.
- ✓ Double Overshelf.
- ✓ Drawer Kit: 25-1/8"x 28-3/8"x11-3/4.

➤ **Salad Top**

- IRT-MPG1490 / VIP1490B1/4GLASSTOP included.
 Top includes 1/4 size stainless steel food pans, (6) pans.

- IRT-MPG1980 / VIP1980B1/4GLASSTOP included.
 Top includes 1/4 size stainless steel food pans, (9) pans.

➤ **Shelving**

- (1) Plastic coated wire shelves per section.
- Set of Stainless- Steel shelf brackets.
- Easy remove for cleaning.
- Dimensions WxD: 12-51/64" x 20-7/8" (325x530 mm).

➤ **Refrigeration**

- Digital temperature controller with automatic defrost system.
- Front-breathing refrigeration system.
- Forced air refrigeration system.
- Extractable condensing unit for easy service.
- Evaporator coil coated with anti-corrosion material 100% polyester.
- Refrigeration system independent for table and counter-top ingredients.

Refrigeration capacity:

- IRT- MPG1490** - 1510 Btu/h(14°F)/ **443 W(-10°C).**
 VIP14901/3C- 600 Btu/h(14°F)/ **176 W(-10°C).**
- IRT - MPG1980** - 1510 Btu/h(14°F)/ **621 W(-10°C).**
 VIP19801/3C- 600 Btu/h(14°F)/ **176 W(-10°C).**
- IRT-MR67GT** – 2.126 Btu/h(14°F)/ **623 W(-10°C).**
 VIP1740G - 478 Btu/h(14°F)/ **140 W(-10°C).**
- IRT-MR93GT** – 600 Btu/h(14°F)/ **176 W(-10°C).**
 VIP1740G- 600 Btu/h(14°F)/ **176 W(-10°C).**

➤ **Electrical**

- Cord and NEMA 5-P plug (Prep-table).
- Cord and NEMA 5-15P (Counter- top unit).
- Electrical connection is 115V / 1ph / 60 Hz.



➤ **ETL Listed to UL471 Standard and Sanitation classified to NSF7.**

**MODEL: IRT-MPG1490/IRT-MPG1980
 IRT-MR67GTCOMBO / IRT-MR93GTCOMBO**

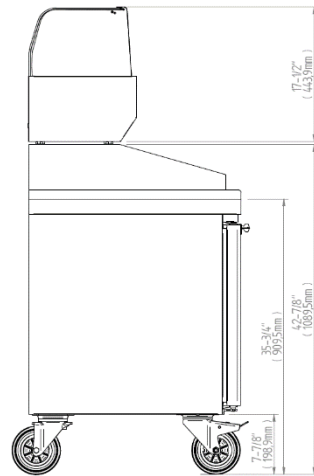
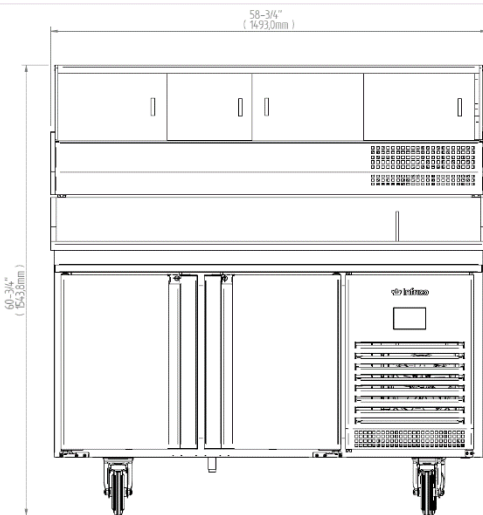
Granite Top Pizza Prep Tables

	Dimensions (inches) (mm)			Doors	Shelves	Ref.	Ref.Weight (Lbs.) (gr.)	Temperature Range (°F) (°C)	Cond. Unit (H.P)	Capacity (Cu.Ft.) (L)	Case Amps 115V	Net weight (Lbs.) (Kg.)
	W	D	H									
IRT-MPG1490	58-3/4 (1493)	27-1/2 (700)	42-7/8 (1089)	2	2/10	R290	0,19 (90)	33°F / 43°F (+0°C / +6°C)	1/4	10,77 (305)	3,53	681 309
			17-1/2 (444)	-	-	R600a	0,1 (45)	30,2°F / 44,6°F (-1°C / +7°C)	1/6	1,30 (37)	1,84	
IRT-MPG1980	60-1/8 (1527)	27-1/2 (700)	42-7/8 (1089)	3	3/15	R290	0,22 (100)	33°F / 43°F (+0°C / +6°C)	1/4	16,42 (465)	4,76	813 369
			17-1/4 (444)	-	-	R600a	0,12 (55)	30,2°F / 44,6°F (-1°C / +7°C)	1/6	2,36 (67)	1,82	
IRT-MR67GT	68-7/8 1751	32-5/8 (830)	59-3/8 (1508)	2	4/15	R290	0,24 (110)	33°F / 43°F (+0°C / +6°C)	3/8	17 (480)	4,76	955 433
		16-1/4 (413)	17-3/4 (450)	-	-	R600a	0,11 (50)	30,2°F / 44,6°F (-1°C / +7°C)	1/8	1.83 (52)	1,82	
IRT-MR93GT	93-1/4 2370	32-5/8 830	60-3/4 830	3	4/15	R290	0.26 (120)	33°F / 43°F (+0°C / +6°C)	1/2	27 (765)	4,76	1260 572
			-	-	-	R600a	0.13 (60)	30,2°F / 44,6°F (-1°C / +7°C)	1/8	2.86 (81)	1,82	

PLAN VIEW

ELEVATION

RIGHT VIEW



IRT-MPG1490 COMBO

Review:01 Date: 11/16/2023 IRT-MPG_MR_COMBO

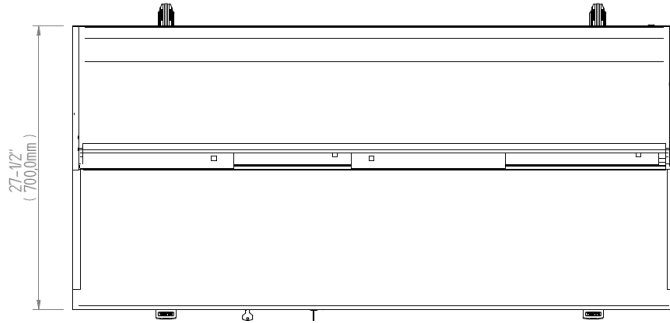
ETL LISTED TO UL471 STANDARD AND SANITATION CLASSIFIED TO NSF7 – WE RESERVE THE RIGHT TO CHANGE SPECIFICATIONS WITHOUT PRIOR NOTICE



**MODEL: IRT-MPG1490/IRT-MPG1980
 IRT-MR67GTCOMBO / IRT-MR93GTCOMBO**

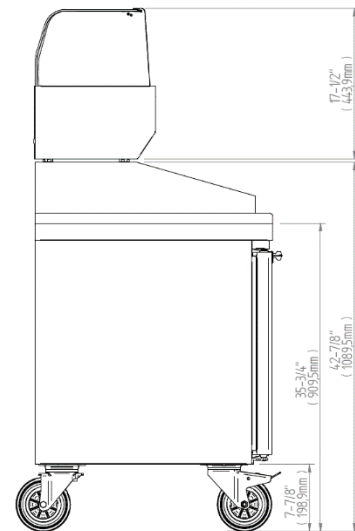
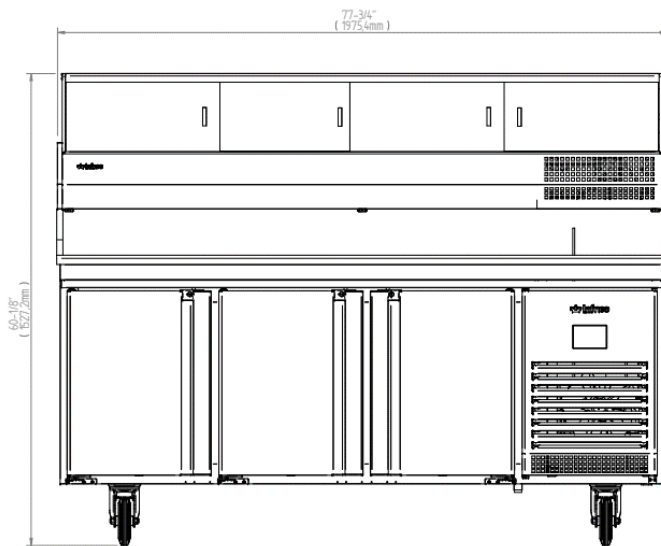
Granite Top Pizza Prep Tables

PLANT VIEW



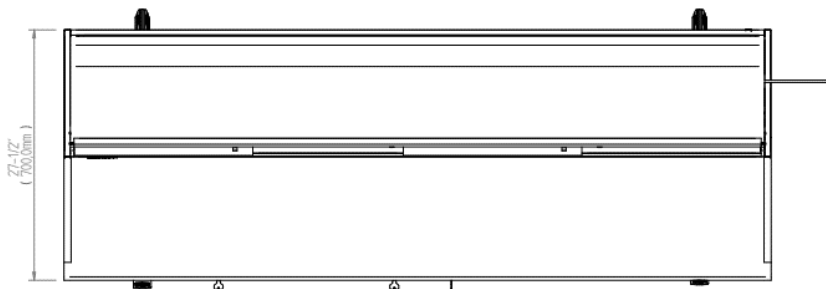
ELEVATION

RIGHT VIEW



IRT-MPG1980 COMBO

PLANT VIEW

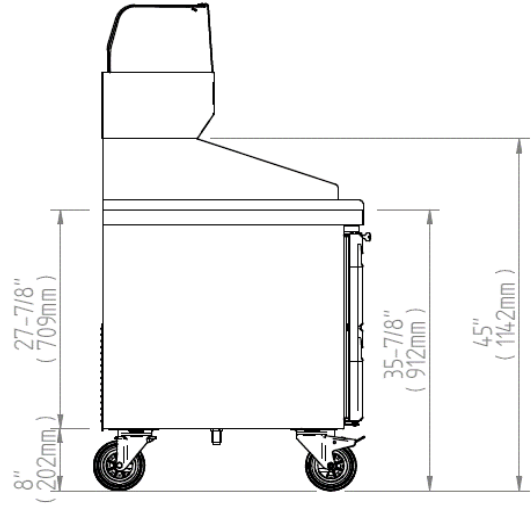
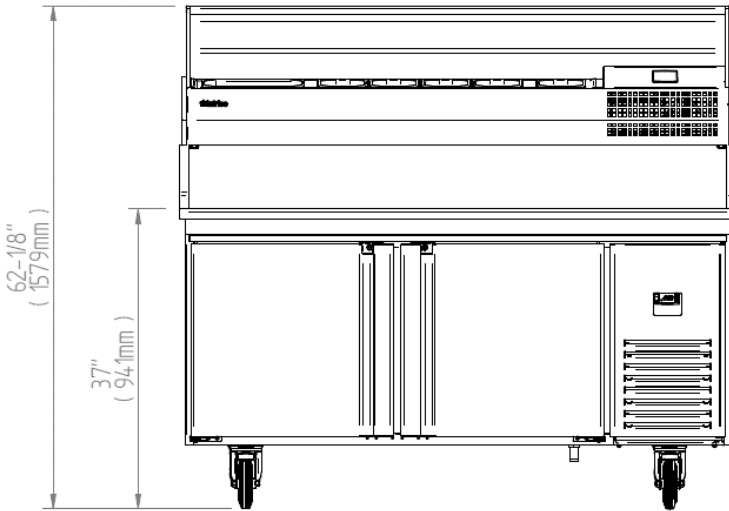


**MODEL: IRT-MPG1490/IRT-MPG1980
 IRT-MR67GTCOMBO / IRT-MR93GTCOMBO**

Granite Top Pizza Prep Tables

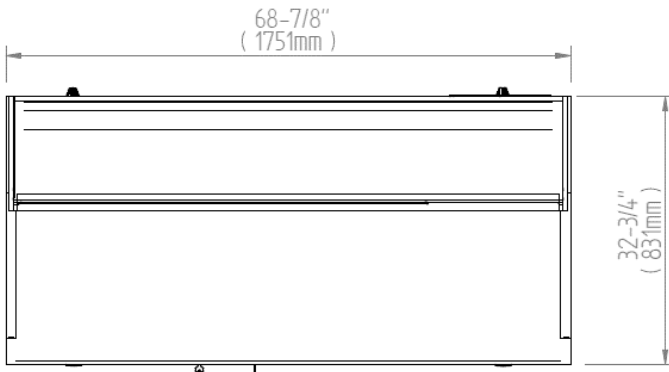
ELEVATION

RIGHT VIEW



IRT-MR67COMBO

PLANT VIEW



Review:01 Date: 11/16/2023 IRT-MPG_MR_COMBO

ETL LISTED TO UL471 STANDARD AND SANITATION CLASSIFIED TO NSF7 – WE RESERVE THE RIGHT TO CHANGE SPECIFICATIONS WITHOUT PRIOR NOTICE



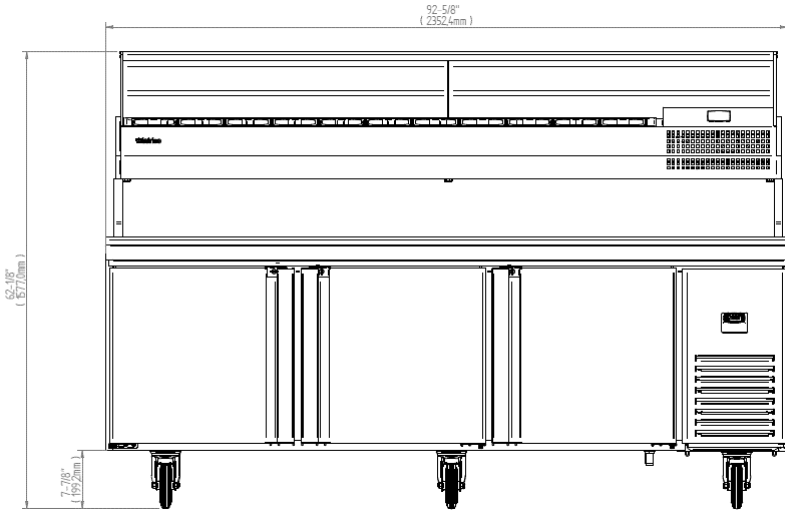
INFRICO-North America Corporate División
 1409NW 84th Avenue, Doral FL 33126
 (305) 777 9599 ext.700 / f (305) 777 9598
 Toll Free 855-340-4637

www.infrico.us
sales@infrico.com

**MODEL: IRT-MPG1490/IRT-MPG1980
 IRT-MR67GTCOMBO / IRT-MR93GTCOMBO**

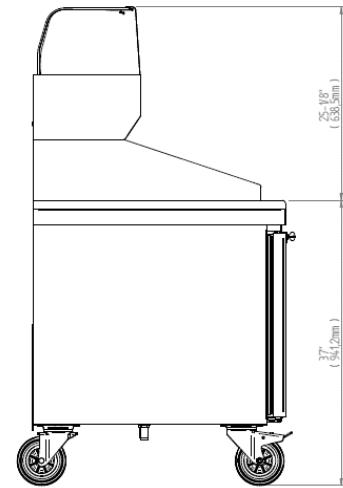
Granite Top Pizza Prep Tables

ELEVATION



IRT-MR93COMBO

RIGHT VIEW



PLANT VIEW

