



Project Name: _____

Location: _____

Item #: _____ Qty: _____

Model: _____

MANUAL COMMERCIAL FOOD SLICER, 9 INCH KNIFE, LIGHT DUTY

MODEL: GSE009



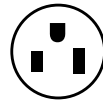
General nine (9) inch manual food slicer is suited to handle low volume slicing of processed meats, hard cheese and vegetables. This compact slicer is ideal for applications needing slicing for under 4 hours a day and is the best solution small sandwich shops, restaurants, cafes, delicatessens, catering and food trucks.

FEATURES AND CONSTRUCTION

- Manual slicer is constructed of stain resistant cast anodized aluminum
- Mounted full knife rim guard, regulator plate lock, and knife cover interlock provide a safe operation and are easy to clean after use
- Slicer is supplied with a high carbon, chrome plated knife with sharpener
- Efficient and powerful "high torque" knife drive system ensures consistent power transfer for smooth operation
- 4 rubberized legs are ideal for countertop use, prevents slicer from slipping or scratching food prep surface
- Cut capacity width is 7.5" x 5" (191mm x 127mm) with a thickness cut of .5625" (143mm)
- Meets ETL requirements and standards
- Recommended to use up to four hours daily
- The knife - blade diameter measures nine inches (9", 229mm) and is best used with processed meats, hard cheese and vegetables
- Manual compact food slicer weighs 44 lb/20 kg

ELECTRIC

- 120V/60Hz/1-ph, NEMA 5-15P
- 6-1/2 ft power cord and plug set



NEMA 5-15P
120V/60/1

International Voltage Available

3RD PARTY APPROVALS



Intertek
Certified to
ANSI-NSF 8



Intertek
Certified to
ANSI UL 763

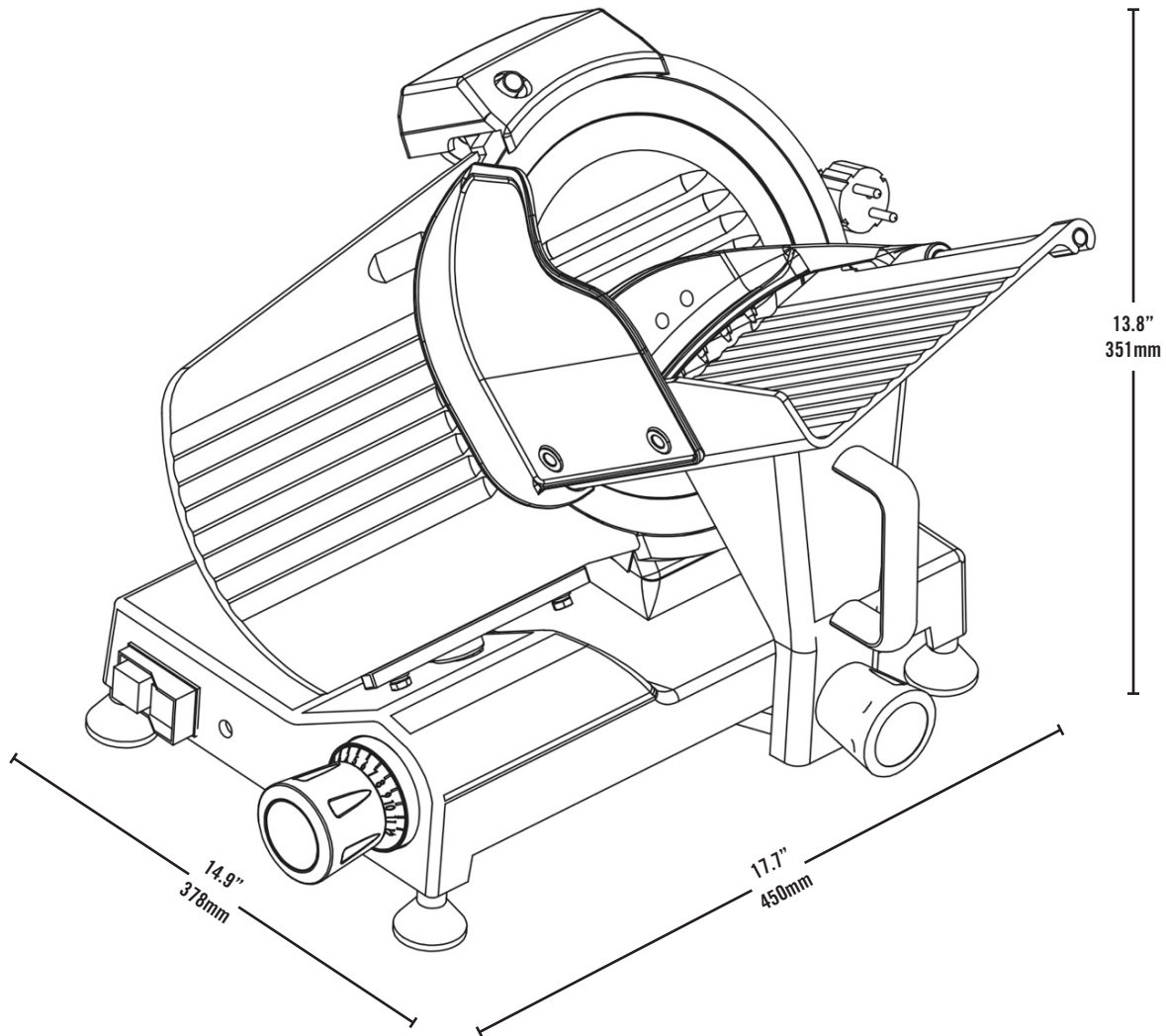
GENERAL WARRANTY (USA / CANADA)

General Slicers are warrantied for one year from date of installation against defective materials and workmanship.

Contact General for details at info@generalfoodservice.com or 954.202.7419



MANUAL COMMERCIAL FOOD SLICER, 9 INCH KNIFE, LIGHT DUTY



MODEL	DIMENSIONS (W x D x H)	CUT CAPACITY / THICKNESS	BLADE DIAMETER	ELECTRICAL	POWER USAGE	NET WEIGHT
GSE009	17.7" x 14.9" x 13.8" (450 x 378 x 351mm)	7.5" x 5" / .5625" (191 x 127mm) / (143mm)	9" (229mm)	120V / 60Hz / 1Ph	0.16HP	38 lb (17 kg)

INSTALLATION

- Select a location for your slicer that will save time and steps for the operator. Allow ample work space in front and to the sides of the slicer.