



Project Name: _____

Location: _____

Item #: _____ Qty: _____

Model: _____

ELECTRIC COUNTERTOP FOOD WARMER WITH DRAIN, STAINLESS STEEL

MODEL: GFW-100D



GFW-100D

Food General Food Warmers are ideal for serving hot foods at a restaurant buffet line, concession stand, parties, entertainment & hospitality suites or self-serve stations. Constructed from durable stainless steel, the countertop food warmer holds your prepared foods at safe temperatures. An adjustable thermostat allows for precise control to ensure your food is served at the correct serving temperature and the heating system distributes heat evenly to prevent hot spots. The electric food warmer is versatile and will accommodate all standard size pans. Weighing only ten lbs. the food warmer is light weight, portable and the drain make it easy to clean.

FEATURES AND CONSTRUCTION

- Electric, light weight food warmer is ideal for restaurants, entertainment suites, hospitality venues, food trucks and catering
- Constructed of corrosion resistant stainless steel warmer will warm, heat and hold prepared food in a sanitary well at safe temperatures
- Designed with a drain, the unit is easy to clean and maintain
- Adjustable thermostat allows operators to control and serve food at correct temperatures
- The unique heating system operates at 1200 Watts and distributes heat evenly to prevent hot spots
- Serving capacity of 6.3 gallons / 24 liters and can accommodate all standard size serving pans
- Food warmer is light weight at 10 lb/4.5 kg, is easily portable and fits most countertop serving areas

ELECTRIC

- 120V/60Hz/1-ph, NEMA 5-15P
- 6-1/2 ft power cord and plug set

International Voltage Available

3RD PARTY APPROVALS



GENERAL WARRANTY (USA / CANADA)

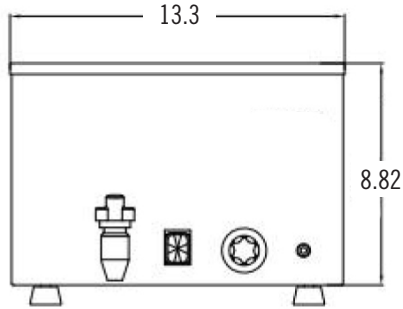
General are warrantied for one year from date of installation against defective materials and workmanship.

Contact General for details at info@generalfoodservice.com or 954.202.7419

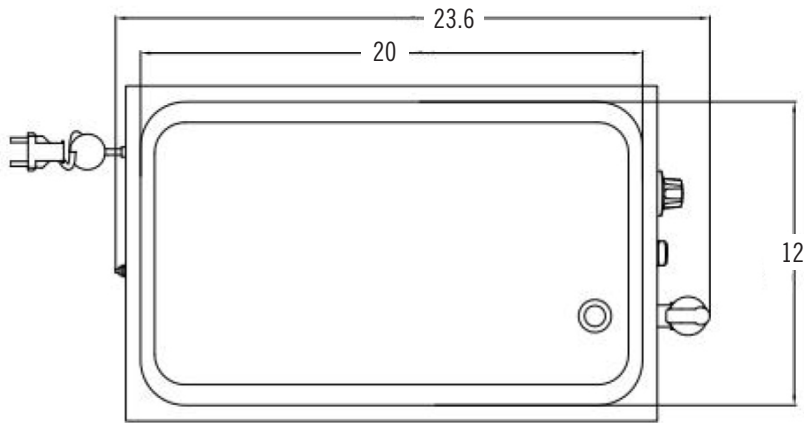
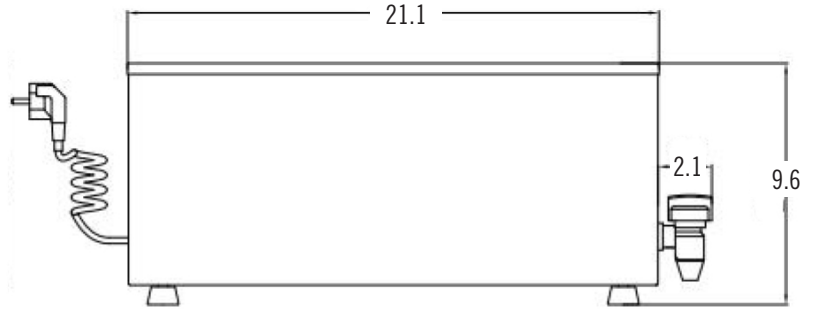


ELECTRIC COUNTERTOP FOOD WARMER WITH DRAIN, STAINLESS STEEL

FRONT VIEW



SIDE VIEW



TOP VIEW

MODEL	DIMENSIONS (W x D x H)	CAPACITY	ELECTRICAL	POWER USAGE	SHIPPING WEIGHT	NET WEIGHT
GFW-100D	13.375" x 23" x 9.375" (340 x 584 x 238mm)	6.3 Gal (24 L)	120V / 60Hz / 1Ph	1200W	13 lb (5.9 kg)	10 lb (4.5 kg)