



# DISPLAY CASE

SERVING THE FOOD INDUSTRY SINCE 1951

## 14" COUNTERTOP FOOD DISPLAY 70 L CAPACITY

Item: 44374

**Promote impulse sales by boosting  
product visibility!**



Omcan's countertop food display provides clear view of your food merchandise. These products are designed for easy restocking and cleaning, with two shelves for added product visibility. An excellent edition for bakeries, cafes and concession stands!

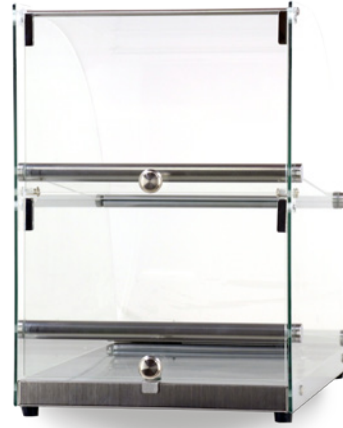


Authorized Dealer

# DISPLAY CASE

## COUNTERTOP FOOD DISPLAY

Capacity 70 L

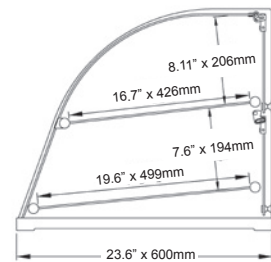
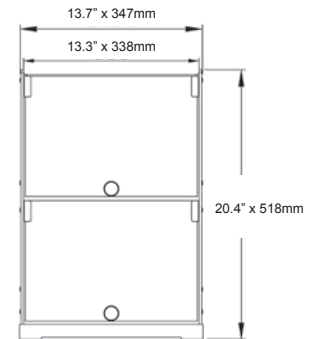


### Features:

- Glass and stainless steel construction
- Slanted shelves provide excellent visibility to boost product sales
- Product assembly required
- Manually wash product for a thorough clean
- Dishwasher safe shelves are easy-to-clean

### TECHNICAL SPECIFICATION

ITEM NUMBER	44374
DESCRIPTION	Countertop food display case with curved front glass
CAPACITY	70 L
NET WEIGHT	28.6 lbs.
GROSS WEIGHT	33 lbs.
DIMENSIONS (WDH)	13.7" x 23.5" x 20.5" / 347mm x 600 mm x 518 mm
GROSS DIMENSIONS	26" x 17.4" x 17" / 650mm x 406 mm x 569 mm



## OMCAN INC.

Telephone: 1-800-465-0234

Fax: (905) 607-0234

Email: sales@omcan.com



Follow us to keep up to date with the latest news and offers

