

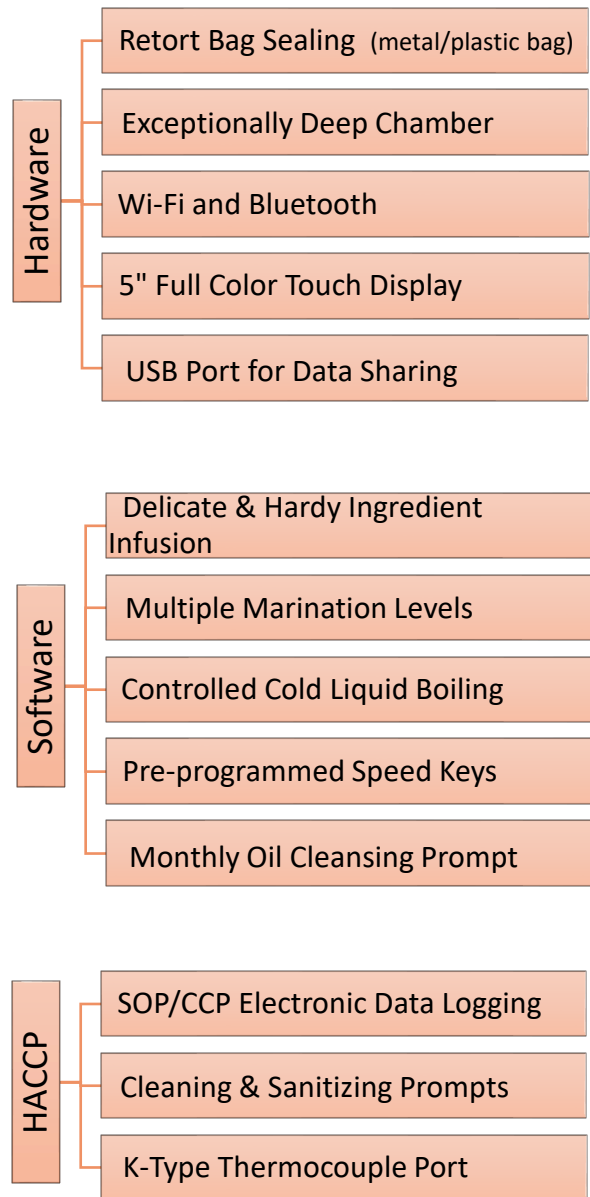
Model - MX5

STANDARD FEATURES

- Gentle Air Return
- Height Leveling NSF legs
- Dome Seal with Bag Trimmer
- Soft Lid Closure with Auto-Start
- Angle Tray for Liquids
- Transparent Bubble Lid
- Quick Release Sealing Bars
- Stainless Steel Skins



UNIQUE FEATURES



APPROVALS



OPTIONS

- Flavor Box - Non Vacuum
- Set of VacBox - 24oz., 48oz. & 80oz. (700mL x 1400mL x 2400mL)
- Large VacBox- 2.5 Fluid Quarts / 2.4 L
- Inert Gas Kit
- Mobile Cart with Shelf & Bag Holder
- 230V / 1ph / 10A / 50-60Hz

HACCP OPTIONS

- Thermal Label Printer
- K-Type Temperature Probe
- www.HACCP-Portal.com

COLOR OPTION

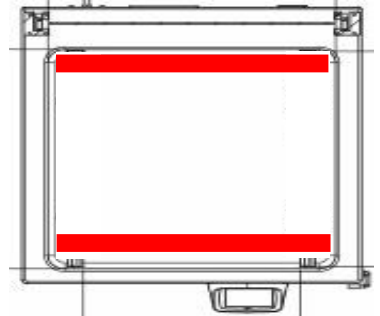
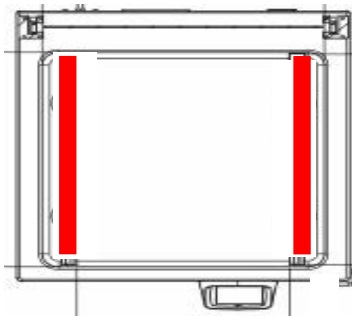
- Matte Black RAL-9011

BAG OPTIONS - (other sizes available)

- | | |
|---|---|
| <ul style="list-style-type: none"> <input type="checkbox"/> 7"x 11" BK 175mm x 275 mm <input type="checkbox"/> 8"x 12" BK 200mm x 300mm <input type="checkbox"/> 7"x 11" CLR 175mm x 375mm <input type="checkbox"/> 8"x 12" CLR 200mm x 300mm <input type="checkbox"/> 10"x 15" CLR 250mm x 375mm <input type="checkbox"/> 12"x 16" CLR 300mm x 400mm <input type="checkbox"/> 16" x 24" CLR 400mm x 600mm | <p>Perfect for displaying fresh cut red meat items. The black back round offers a higher quality appearance of red meat under ROP.</p> <hr/> <p>Standard 3mil vacuum bag used for refrigerator storage, freezer storage and Sous Vide cooking. The bag is rated to 190°F and is available in many different sizes.</p> <hr/> <p>Stand-Up bags are ideal for sauces, soups and for transporting foods.</p> |
| <ul style="list-style-type: none"> <input type="checkbox"/> 10"x 14"X 5" 250 x 350 x 75mm <input type="checkbox"/> 14"x 14"X 6" 350x350x150mm | |

TECHNICAL SPECIFICATIONS

- Chamber - 22.5"W x 18.75"L x 9.75" Height
560mm x 468mm x 247mm
- Left & Right Seal Bars at 18" / 457mm
- Distance Between Seal Bars - 16.5" / 410mm
- Front & Back Seal Bars at 22" (544mm)
- Distance Between Seal Bars - 14" (353mm)



POWER & DIMENSIONS

- 20m³/h Rotary Oil Pump - Rated 2mbar
- 120V / 14.2A / 50-60Hz

SHIP WEIGHT & DIMENSIONS

- 250 Pounds / 113 Kilograms
- 32"W x 32"L x 33"H
800mm x 800mm x 825mm

