

SHARP®

**1000
WATTS**

**1.0
CU.FT.**

Medium Duty Commercial Microwave Oven

R21LTF

- 1.0 cu. ft. Capacity, with High Quality Stainless Steel Interior, Exterior, and Door
- Touch Controls: Provides 20 Programmable Memories with One-Second Increment Timing; Built-In Safeguards Prevent Unauthorized Changes
- Express Defrost™: Automatically Divides Total Defrosting Time into 3 Stages with 3 Power Levels
- 3-Stage Programming: Program Food to Defrost Then Begin Cooking at One Power Level and Finish Cooking at Another




FEATURES

Finish	Stainless Steel
Grade	Medium Duty
Oven Control	Touch Pads with Braille
Capacity (cu. ft.)	1.0
Output Power (Watts)	1000
Power Levels	11 Variable
Express Defrost™	Yes
Stage Cooking	3
Programmable	Yes, 20 Programmable Memories
Memory Check	Yes
Double Quantity Memory	Yes
Display	Digital
Interior Light	Yes
Door Handle	Trigger Switch
Door, Cabinet, Interior	Stainless Steel
Door Window	See-Through

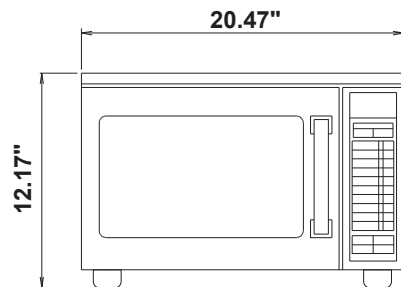
DIMENSIONS & WEIGHT (in. / lbs.)

Cavity Dimensions (w x h x d)	13-7/8" x 8-1/8" x 14-5/8"
Product Dimensions (w x h x d)	20-1/2" x 12-1/8" x 16"
Product Weight / Shipping Weight	37 lbs / 44 lbs

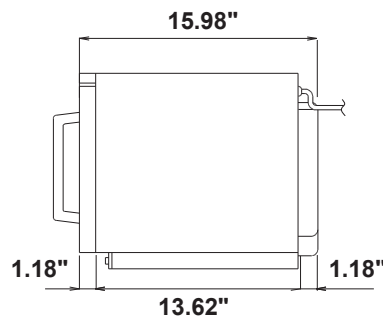
ADDITIONAL SPECIFICATIONS

AC Power Required	120V, 60Hz, 1.6KW, 14A
NEMA Receptacle	5-15R 
UPC	074000616509

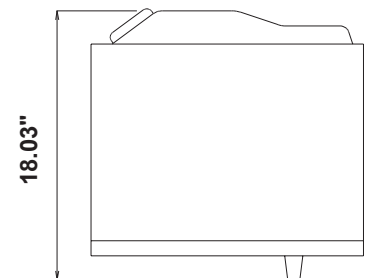
FRONT VIEW



SIDE VIEW



TOP VIEW



Design and specifications subject to change without notice. Sharp is a registered trademark of Sharp Corporation. SelectaPower, SelectaTime and Express Defrost are trademarks of Sharp Corporation. All other trademarks are the property of their respected owners.

SHARP ELECTRONICS CORPORATION
100 Paragon Drive, Montvale NJ, 07645
1.800.237.4277 • www.sharpsusa.com

© 2020 Sharp Electronics Corporation. All rights reserved.

SHARP®
Be Original.