

Application Guide

Reserva Mounting Bracket Solutions Australia & New Zealand

Fronius reserves all rights, in particular rights of reproduction, distribution and translation.

No part of this work may be reproduced in any way without the written consent of Fronius. It must not be saved, edited, reproduced or distributed using any electrical or electronic system. You are hereby reminded that the information published in this document, despite exercising the greatest of care in its preparation, is subject to change and that neither the author nor Fronius can accept any legal liability.

Gender-specific wording refers equally to female and male form.

Change Log

DATE	VERSION	COMMENTS	AUTHOR
19/11/2025	1.0	First Version of the document	Markus Schmid
15/12/2025	1.1	Revision required brackets and pictures	Markus Schmid

Scope

This document describes the setup of the Fronius Reserva Mounting Bracket Solutions For Australia and New Zealand. These solutions are required if two or more Reserva towers are installed in **front** of each other.

General

The Fronius Reserva Mounting Bracket Solutions are made up of the following kits:

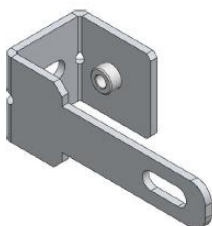
- **Dual Mounting Kit (42,0500,0001)** - This kit consists of 2x wall mounts; 2x extensions; 2x additional mounting screws.
- **Extension Mounting Kit (42,0500,0002)** - This kit consists of 2x extensions; 2x additional mounting screws

Depending on the tower size (Battery modules per tower) and number of towers which will be stacked in front of each other, the required components differ.

Other 3rd party bracket solutions which are not tested by Fronius are not recommended.

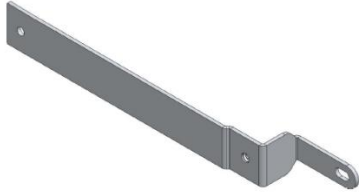
Components

Wall Brackets



This wall bracket will replace the one in the original package to allow an extension for multiple battery tower installations.

Extensions



Extension bracket to connect the wall mount to other Reserva towers.

How many Kits are required?

The “Required” amount of Dual Mounting and Extension Mounting Kits reflects the number of brackets which are mandatory to install on the side of the battery.



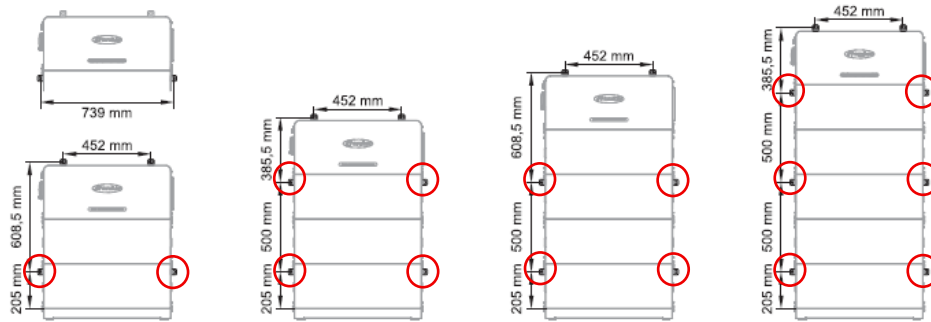
	1 Tower	2 Tower	3 Tower	4 Tower
2 Battery Modules	No additional bracket required. Use the mounting brackets included in the battery package.	<u>Required:</u> 1x Dual Mounting Kit	<u>Required:</u> 1x Dual Mounting Kit 1x Extension Mounting Kit	<u>Required:</u> 1x Dual Mounting Kit 2x Extension Mounting Kit
3 Battery Modules		<u>Required:</u> 2x Dual Mounting Kit	<u>Required:</u> 2x Dual Mounting Kit 2x Extension Mounting Kit	<u>Required:</u> 2x Dual Mounting Kit 4x Extension Mounting Kit
4 Battery Modules		<u>Required:</u> 2x Dual Mounting Kit	<u>Required:</u> 2x Dual Mounting Kit 2x Extension Mounting Kit	<u>Required:</u> 2x Dual Mounting Kit 4x Extension Mounting Kit
5 Battery Modules		<u>Required:</u> 3x Dual Mounting Kit	<u>Required:</u> 3x Dual Mounting Kit 3x Extension Mounting Kit	<u>Required:</u> 3x Dual Mounting Kit 6x Extension Mounting Kit

Installation

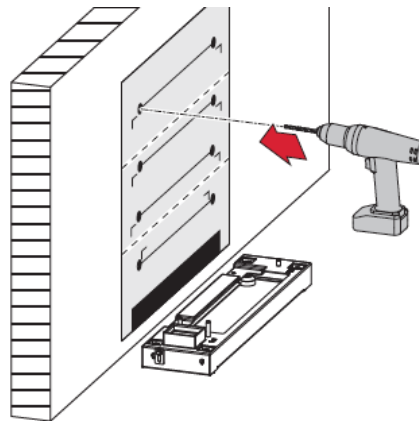
Before installing the Multi Tower Bracket solution, read the Operating Instructions [HERE](#) for all installation and commissioning relevant details.

Multi Tower Bracket Installation

The Reserva must be mounted to a sufficiently load-bearing and non-flammable surface (e.g., brick or concrete wall). Make sure there are sufficient fastening points, which is dependent on the number of Reserva modules installed



A life size paper drilling template is provided in each Reserva BMS box. This can be used to drill holes where the wall fastening points will be located.



Example Installation

The example below is a maximum capacity installation (63.2kWh), with **4 Towers** and **5 battery modules** per tower.

Required Kits:

- 3x Dual Mounting Kit
- 6x Extension Mounting Kit

The Brackets have an adjustable distance range to allow for site specific requirements.

- **Wall Bracket**, space from wall to first battery is **40mm**.
 - o Adjustable +3mm to -10mm (30mm to 43mm between Wall and first battery).
- **Extension Bracket**, space between the battery towers is **46mm**.
 - o Adjustable +-3mm. (43mm to 49mm between batteries).

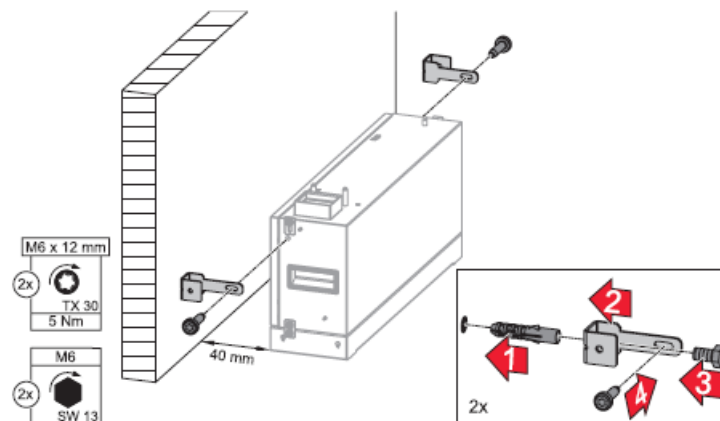
IMPORTANT: Ensure that you use the screws (for the brackets) and wall anchors from the original battery and BMS accessory kit, as the expansion mounting kits do not replace these.

1st Tower

1. Use the drilling template to help pre-drill the bracket mounting holes.
2. Set up the base and add one battery module (ensure the base is level as per Operating instructions).
3. Fasten the 2 connecting tabs (1 each side, base to battery module) using the screws supplied in the accessory kit.



4. Install the first wall mount bracket and use the M6x12 TX 30 screws to fasten the wall bracket into position onto the wall as well as onto battery (Tighten to a torque of 5Nm).



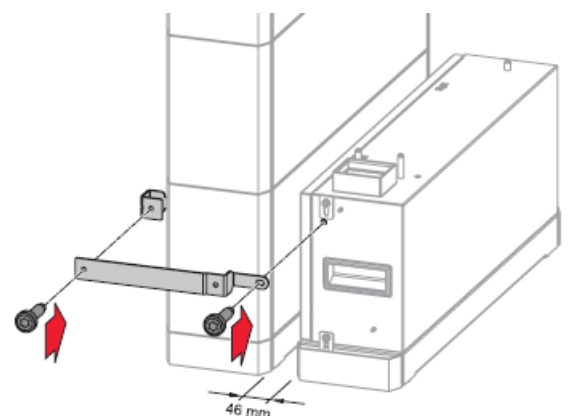
5. Add 2 more battery modules.
6. Fasten the 4 connecting tabs (1 each side) using the screws supplied in the accessory kit.
7. Install the second wall mount to secure the 3rd battery module to the wall (M6x12 TX 30 screws, torque = 5Nm).
8. Add 2 more battery modules.
9. Fasten the 4 connecting tabs (1 each side) using the screws supplied in the accessory kit.
10. Install the third wall mount to secure the 5th battery module to the wall. (M6x12 TX 30 screws, torque = 5Nm).
11. Add the BMS.
12. Fasten the 2 connecting tabs (1 each side) using the screws supplied in the accessory kit.
13. Add all the battery module side covers. The covers can also be directly added after the tabs and brackets are securely mounted.

IMPORTANT: Ensure all connecting tabs between batteries, base and BMS are in place and securely mounted (torque = 5Nm).



2nd Tower

1. Set up the base of the second tower and add one battery module (ensure the base is level as per operating instructions).
2. Install the first extension bracket use the M6x12 TX 30 screws to fasten the wall bracket to the extension bracket and to the battery (torque = 5Nm).
3. Fasten the 2 connecting tabs (each side) using the screws supplied in the accessory kit.
4. Add 2 more battery modules.
5. Fasten the 4 connecting tabs (1 each side) using the screws supplied in the accessory kit.
6. Install the second extension bracket and use the M6x12 TX 30 screws to fasten the wall bracket to the extension bracket and to the battery (torque = 5Nm).



7. Add 2 more battery modules.
8. Fasten the 4 connecting tabs (1 each side) using the screws supplied in the accessory kit.
9. Install the third extension bracket and use the M6x12 TX 30 screws to fasten the wall bracket to the extension bracket.
10. Add the BMS.
11. Fasten the 2 connecting tabs (1 each side) using the screws supplied in the accessory kit.
12. Add all the battery module side covers.

IMPORTANT: Ensure all connecting tabs between batteries, base and BMS are in place and securely mounted (5Nm).



3rd Tower

Follow the steps as per the 2nd tower setup for the 3rd tower.

IMPORTANT: Ensure all connecting tabs between batteries, base and BMS are in place and securely mounted (torque = 5Nm).

4th Tower

Follow the steps as per the 2nd tower setup for the 4th tower.

Add remaining side and top covers after the systems are wired.

IMPORTANT: Ensure **all** connecting tabs between batteries, base and BMS are in place and securely mounted (5Nm).

Disclaimer

The contents of this document are believed to be accurate and reliable. However, Fronius assumes no responsibility for the use of this material. The user should refer to the Fronius Australia website to access the most current version.

Fronius assumes no responsibility or liability for any errors or omissions in the content of this document. The information contained in this document is provided on an "as is" basis with no guarantees of completeness, accuracy, usefulness or timeliness.

Fronius reserves the right to make changes to the material at any time and without notice.

1. The information provided in this document is for illustration purposes only, focusing only on bracket installation for multi tower Reserva setups.

2. This document does not give any guarantees, undertakings, or warranties (including implied warranties of merchantability or fitness for a particular purpose) with respect to the information, or any use of the information, including but not limited to:

· The accuracy and completeness of the information or that it is up to date.

· The information being fit for any intended or specific purpose, and

· The information being compliant with any rules and regulations applicable in the jurisdiction in which the information is supplied.

· Any party placing reliance on information contained in this document does so at their own risk. In no event shall Fronius be liable for any liability (direct or indirect) for any injury, loss, claim, damage or any incidental or consequential damages, including but not limited to lost profits or savings, arising out of or in any way connected with the use of any information, or any error, omission or defect in the information, contained in this document.

Fronius Australia Technical Support

Email: PV-Support-Australia@fronius.com

Phone: 03 8340 2910

For more detailed information see the operating manual available [HERE](#)

END OF DOCUMENT