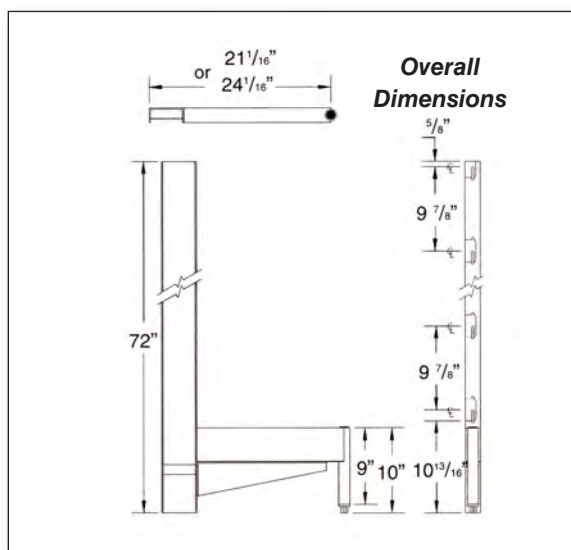




## CANTILEVERED SHELVING HEAVY DUTY ALUMINUM

- Maximizes storage, free Standing shelving allows access to all corners.
- **Lifetime Warranty Against Rust**
- Wall bolting not required.
- Perfect for coolers, freezers and backrooms.
- Holds up to seven shelves on 10" centers.
- Adjusts without tools-just lift and pull.
- **Shelves easily removeable for cleaning.**
- Posts are 72" high with front adjustable feet.
- Maximum capacity - 2,500 lb per section.

### Easy to Assemble!



## STARTER KIT

**STARTER KIT  
INCLUDES**  
 (1) Right Upright  
 (1) Left Upright  
 (2) Cross Braces  
 (3) or (4) Shelves  
 (1) Hardware Kit



For a full run of shelving you only need (1) right upright and (1) left upright, connecting the shelf sections of the run with common uprights.

## ADD-ON KIT

**ADD ON KIT  
INCLUDES**  
 (1) Common Upright  
 (2) Cross Braces  
 (3) or (4) Shelves  
 (1) Hardware Kit

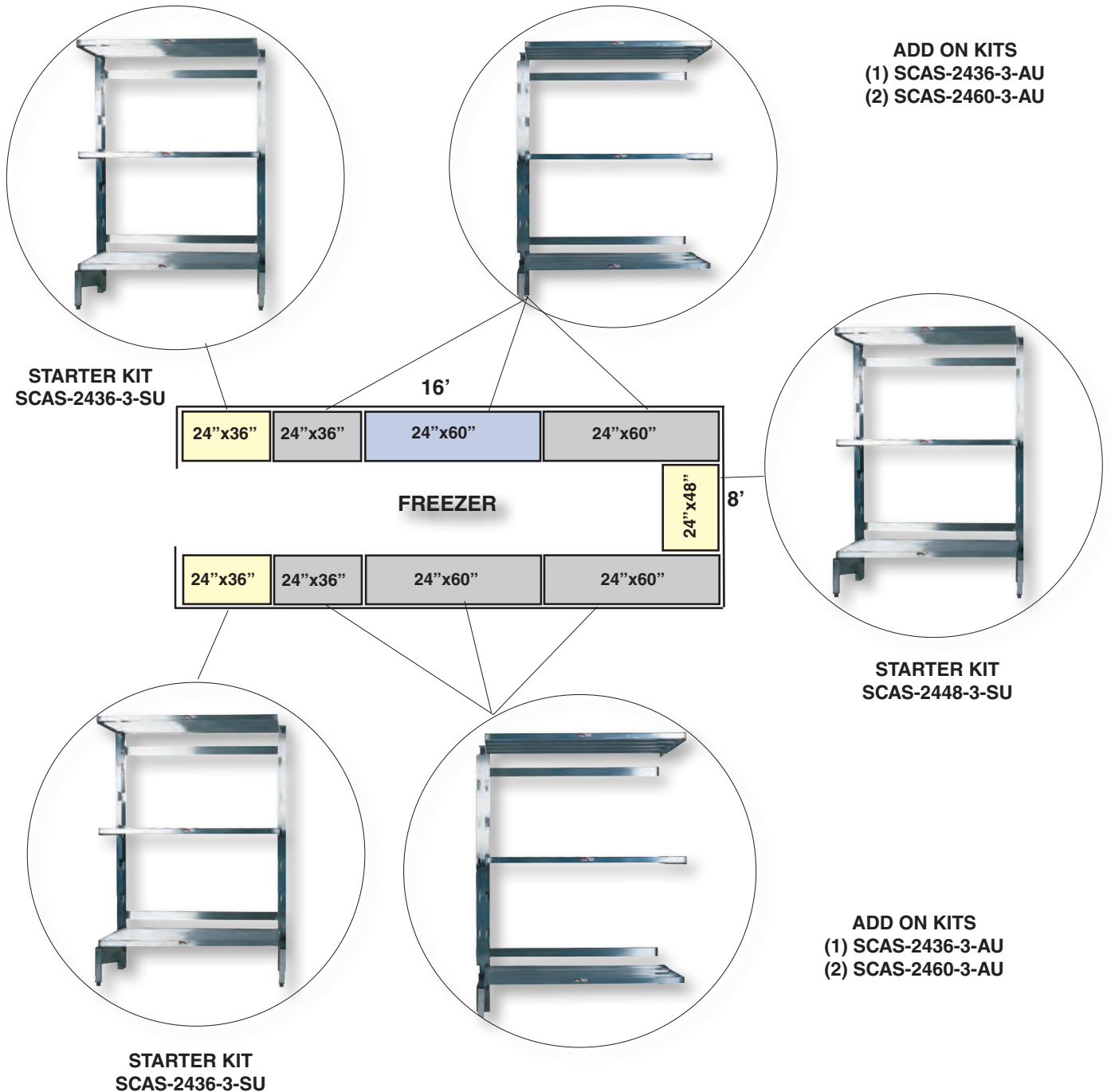


# HOW TO ORDER YOUR SHELVING USING KITS:

To plan your cooler first confirm your inside cooler dimensions Build your unit beginning with a “Starter Kit” then select the appropriate “Add-On Kits” needed. To order this layout of shelving seen below you would order the following Kits:

Quantity	Model Number
(2)	SCAS-2436-3-SU
(2)	SCAS-2436-3-AU
(4)	SCAS-2460-3-AU
(1)	SCAS-2448-3-SU

## SAMPLE FREEZER LAYOUT 16' X 8'



# STARTER KITS & ADD ON KITS TUBULAR SHELVING KITS



**Tubular Shelving** 1½" x 1½" aluminum tubing provides air circulation. 18" deep shelves have 4 tubes spaced 4" apart; 21" deep shelf has 4 tubes spaced 5" apart; 24" deep shelf has 5 tubes spaced 4" apart. Shelf Capacity - 900 lb (408 kg)

Shelving Sizes (in)	"Starter Kits" Tubular Shelving	Approx. Ship Weight	"Add on Kits" Tubular Shelving	Approx. Ship Weight
		(lb)		(lb)
<b>3 SHELF UNITS</b>				
<i>18" Deep Shelves with 21" Deep Uprights</i>				
18x36	SCAS-1836-3-SU	50	SCAS-1836-3-AU	54
18x48	SCAS-1848-3-SU	57	SCAS-1848-3-AU	61
18x60	SCAS-1860-3-SU	61	SCAS-1860-3-AU	65
<i>21" Deep Shelves with 21" Deep Uprights</i>				
21x36	SCAS-2136-3-SU	50	SCAS-2136-3-AU	54
21x48	SCAS-2148-3-SU	57	SCAS-2148-3-AU	61
21x60	SCAS-2160-3-SU	61	SCAS-2160-3-AU	65
<i>24" Deep Shelves with 24" Deep Uprights</i>				
24x36	SCAS-2436-3-SU	56	SCAS-2436-3-AU	60
24x48	SCAS-2448-3-SU	63	SCAS-2448-3-AU	67
24x60	SCAS-2460-3-SU	70	SCAS-2460-3-AU	74
<b>4 SHELF UNITS</b>				
<i>18" Deep Shelves with 21" Deep Uprights</i>				
18x36	SCAS-1836-4-SU	56	SCAS-1836-4-AU	60
18x48	SCAS-1848-4-SU	66	SCAS-1848-4-AU	70
18x60	SCAS-1860-4-SU	71	SCAS-1860-4-AU	75
<i>21" Deep Shelves with 21" Deep Uprights</i>				
21x36	SCAS-2136-4-SU	56	SCAS-2136-4-AU	60
21x48	SCAS-2148-4-SU	66	SCAS-2148-4-AU	70
21x60	SCAS-2160-4-SU	71	SCAS-2160-4-AU	75
<i>24" Deep Shelves with 24" Deep Uprights</i>				
24x36	SCAS-2436-4-SU	64	SCAS-2436-4-AU	68
24x48	SCAS-2448-4-SU	77	SCAS-2448-4-AU	81
24x60	SCAS-2460-4-SU	84	SCAS-2460-4-AU	88

Freight Class: 70



**T-Bar Shelving** 1" x 1½" T-Bar spaced 2" apart. Provides air circulation and allows boxes to slide on/off easily. Shelf Capacity - 700 lb (318 kg)

## T-BAR SHELVING KITS

Shelving Sizes (in)	"Starter Kits" T-Bar Shelving	Approx. Ship Weight	"Add on Kits" T-Bar Shelving	Approx. Ship Weight
		(lb)		(lb)
<b>3 SHELF UNITS</b>				
<i>18" Deep Shelves with 21" Deep Uprights</i>				
18x36	--	--	SCAST-1836-3-AU	54
18x60	--	--	SCAST-1860-3-AU	65
<i>24" Deep Shelves with 24" Deep Uprights</i>				
24x36	SCAST-2436-3-SU	56	SCAST-2436-3-AU	60
24x48	SCAST-2448-3-SU	63	SCAST-2448-3-AU	67
24x60	SCAST-2460-3-SU	70	SCAST-2460-3-AU	74
<b>4 SHELF UNITS</b>				
<i>18" Deep Shelves with 21" Deep Uprights</i>				
18x36	SCAST-1836-4-SU	56	--	--
18x60	SCAST-1860-4-SU	71	SCAST-1860-4-AU	75
<i>24" Deep Shelves with 24" Deep Uprights</i>				
24x36	SCAST-2436-4-SU	65	SCAST-2436-4-AU	69
24x48	SCAST-2448-4-SU	75	SCAST-2448-4-AU	79
24x60	SCAST-2460-4-SU	83	SCAST-2460-4-AU	87

Freight Class: 70

# STARTER KITS & ADD ON KITS SOLID REINFORCED SHELVING KITS

Shelving Sizes (in)	Starter Kits Tubular Shelving	Approx. Ship Wt (lb)	Add on Kits" Tubular Shelving	Approx. Ship Wt (lb)
<b>3 SHELF UNITS</b>				
<i>18" Deep Shelves with 21" Deep Uprights</i>				
18x36	SCASS-1836-3-SU	59	SCASS-1836-3-AU	63
18x48	SCASS-1848-3-SU	69	SCASS-1848-3-AU	73
18x60	SCASS-1860-3-SU	79	SCASS-1860-3-AU	83
<i>21" Deep Shelves with 21" Deep Uprights</i>				
21x36	SCASS-2136-3-SU	62	SCASS-2136-3-AU	66
21x48	SCASS-2148-3-SU	72	SCASS-2148-3-AU	76
21x60	SCASS-2160-3-SU	85	SCASS-2160-3-AU	89
<i>24" Deep Shelves with 24" Deep Uprights</i>				
24x36	SCASS-2436-3-SU	65	SCASS-2436-3-AU	69
24x48	SCASS-2448-3-SU	78	SCASS-2448-3-AU	82
24x60	SCASS-2460-3-SU	88	SCASS-2460-3-AU	92
<b>4 SHELF UNITS</b>				
<i>18" Deep Shelves with 21" Deep Uprights</i>				
18x36	SCASS-1836-4-SU	69	SCASS-1836-4-AU	73
18x48	SCASS-1848-4-SU	82	SCASS-1848-4-AU	86
18x60	SCASS-1860-4-SU	95	SCASS-1860-4-AU	99
<i>21" Deep Shelves with 21" Deep Uprights</i>				
21x36	SCASS-2136-4-SU	73	SCASS-2136-4-AU	77
21x48	SCASS-2148-4-SU	86	SCASS-2148-4-AU	90
21x60	SCASS-2160-4-SU	103	SCASS-2160-4-AU	107
<i>24" Deep Shelves with 24" Deep Uprights</i>				
24x36	SCASS-2436-4-SU	77	SCASS-2436-4-AU	81
24x48	SCASS-2448-4-SU	94	SCASS-2448-4-AU	98
24x60	SCASS-2460-4-SU	107	SCASS-2460-4-AU	111

Freight Class: 70



## Solid Reinforced Shelving

Aluminum sheet with aluminum cross tubes underneath for support. Ideal for smaller merchandise. Shelf Capacity - 700 lb (318 kg)

## CHANNEL SHELVING KITS

Shelving Sizes (in)	Starter Kits T-Bar Shelving	Approx. Ship Wt (lb)	Add on Kits T-Bar Shelving	Approx. Ship Wt (lb)
<b>3 SHELF UNITS</b>				
<i>24" (610 mm) Deep Shelves with 24" Deep Uprights</i>				
24x36	--	--	SCASCH-2436-3-AU	63
24x48	--	--	SCASCH-2448-3-AU	70
24x60	SCASCH-2460-3-SU	73	SCASCH-2460-3-AU	77
<b>4 SHELF UNITS</b>				
<i>24" Deep Shelves with 24" Deep Uprights</i>				
24x36	SCASCH-2436-4-SU	69	SCASCH-2436-4-AU	71
24x48	SCASCH-2448-4-SU	78	SCASCH-2448-4-AU	80
24x60	SCASCH-2460-4-SU	87	SCASCH-2460-4-AU	91

Freight Class: 70



**E Channel Shelving** 4" x 1½" aluminum 14 gauge "E" Channel. Provides increased surface area, yet allows for air circulation. Channel is welded inside a frame of tubing and flat bar. 18" & 21" deep shelves have 2 channels, 24" deep shelf has 3 channels. Shelf Capacity - 1,000 lb (454 kg)