



Founded in 1946

Project: _____

Items: _____

Quantity: _____

Approval: _____

Date: _____

Medium Duty / XTRA Heavy Duty Universal Runner Racks



Proof, store, and transport full size, half size or 1/3 size steam and sheet pans with Medium Duty and XTRA Heavy Duty Universal Runner Racks.

Features:

- All welded aluminum construction
- **Lifetime Warranty Against Rust**
- Holds 18" x 26" & 14" x 18" sheets pans
- Rolling Capacity: 800 lbs

Benefits:

- Maintains sanitary environment in the kitchen
- Provides strength and durability, while maintaining light weight.
- Safely and efficiently transport product

UAR-1023



UAR-2018



ALUN-1820-HD



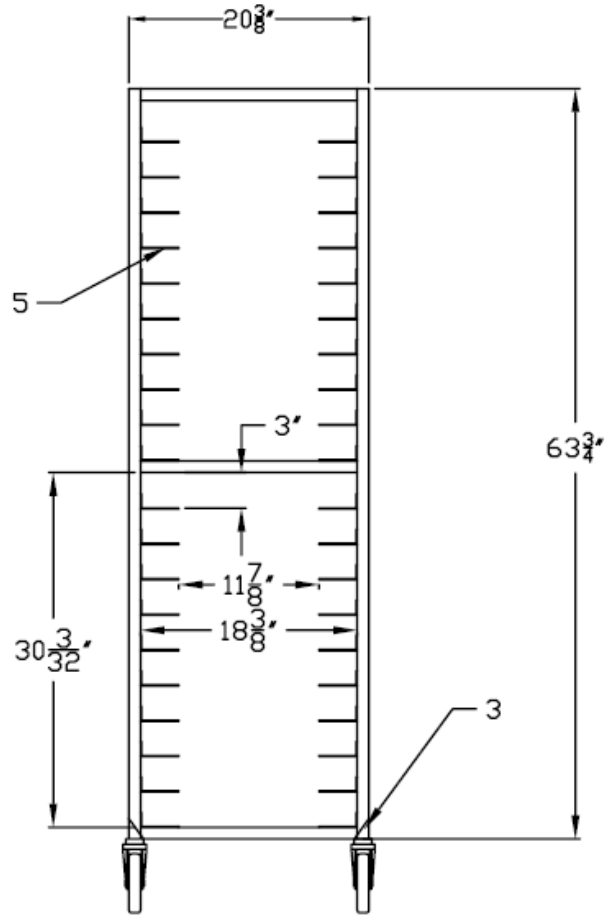
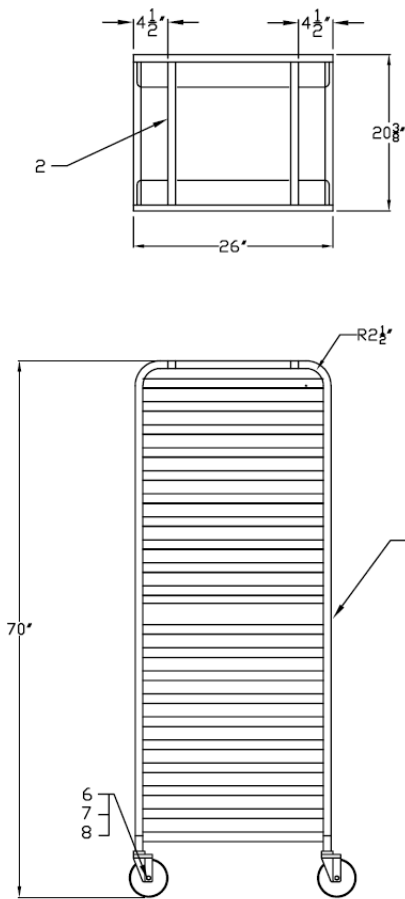
UNIVERSAL RUNNER RACKS



Founded in 1946

Medium Duty Universal Runner Racks Side Load

UARE-2018 Specs



Medium Duty Universal Runner Racks - Side Load								
Rolling Capacity: 800 lbs					Weight Capacity per Runner: 30 lbs			
Model Number	Order#	Overall Dimensions			Pan Capacity		Runner Spacing (in)	Approx. Ship Wt (lb)
		Width (in)	Length (in)	Height (in)	18" x 26"	14" x 18"		
UARE-1218	389212	21	26	70	12	24	5	35
UARE-2018	389221	21	26	70	20	40	3	72
UARE-1818-64-4CB	1064840	21	26	64	18	36	3	40

Model UARE-1818-64-4CB
Comes with 4 corner bumpers

Caster Information:
(4) 5" Polyurethane Swivel Casters 757
5" Polyolefin Wheel 7112
Freight Class: 250

Runner Angle:
1.25" x 3.3"

Holds:
18" x 26" & 14" x 18" Pans
Full, Half, & 1/3 Size Steam Pans
(held by lip)

Option:
XB XHD Reinforced Upright



In line with our policy to continually improve our products, Winholt reserves the right to change materials and specifications without notice.

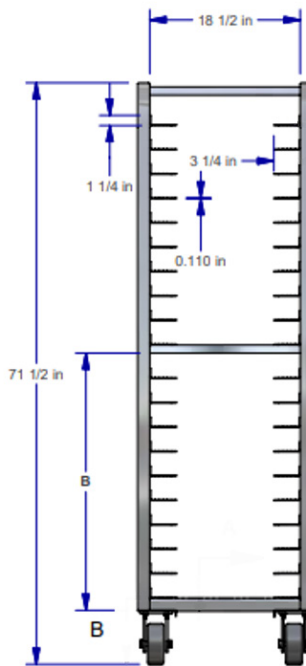
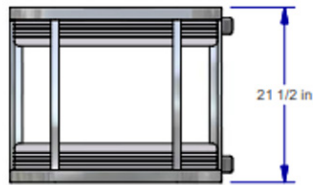


Founded in 1946

XTRA Heavy Duty Universal Runner Racks End Load

UNIVERSAL RUNNER RACKS

Lifetime Construction Warranty



XTRA Heavy Duty Racks - End Load

Rolling Capacity: 800 lbs

Weight Capacity Per Runner: 80 lbs

Model Number	Order#	Overall Dimensions			Pan Capacity			Runner Spacing	Approx. Ship Wt
		Width	Length	Height	18" x 26"	14" x 18"	12" x 20"		
		(in)	(in)	(in)				(in)	(lb)
ALUN-1812-HD	592552	21.5	26	71.5	12	24	11	5	74
ALUN-1820-HD	592544	21.5	26	71.5	20	40	19	3	92

Caster Information:

(4) 5" x 2" Polyurethane Casters 7318

Freight Class: 250

Holds:

18" x 26" & 14" x 18" Pans

Full, Half, & 1/3 Size Steam Pans

(held by lip)

Runner Angle:

1.25" x 3.25"

Options:

ST Solid Top

SB Solid Base

PP Prison Package

PEB Perimeter Bumpers

LB "L" Shape Bumpers

VB Vertical Bumpers

Winholt Equipment | 20 Crossways Park North, Suite 205 | Woodbury, New York 11797

Pennsylvania | Florida | Texas | California

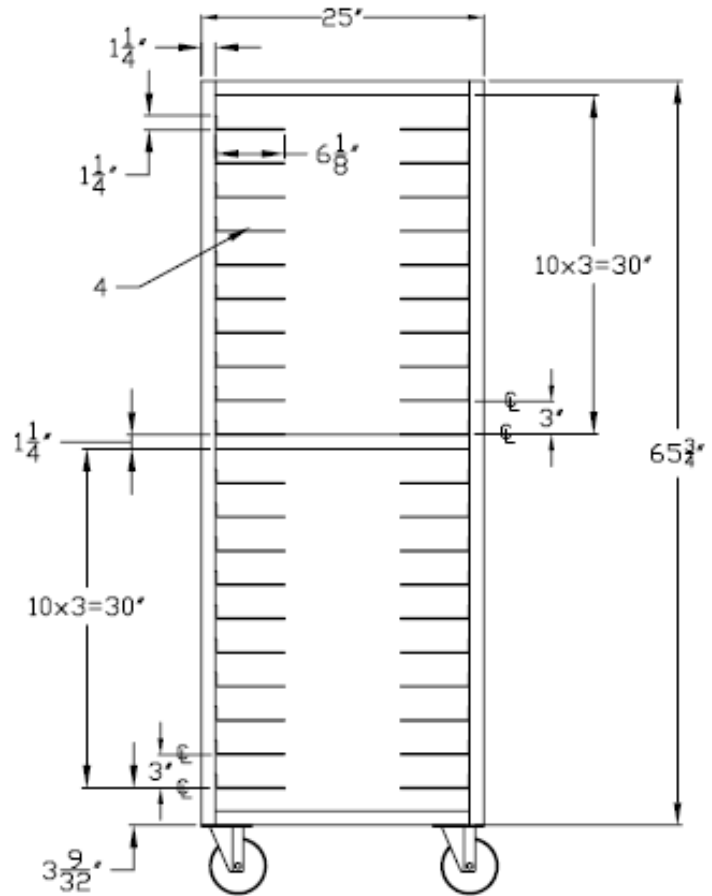
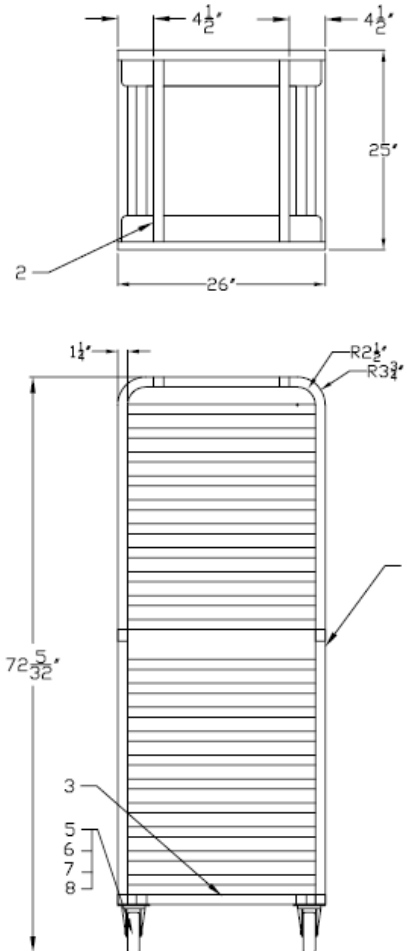
800.444.3595 | sales@winholt.com | www.winholt.com



Founded in 1946

Medium Duty Wide Universal Runner Racks

UAR-2023 Specs



Medium Duty Wide Universal Runner Racks							
Rolling Capacity: 800 lbs				Weight Capacity per Runner: 60 lbs			
Model Number	Order#	Overall Dimensions			Pan Capacity	Runner Spacing	Approx. Ship Wt
		Width (in)	Length (in)	Height (in)			
UAR-1023	389124	26	27	72	10	6	70
UAR-1223	389141	26	27	72	12	5	78
UAR-2023	389167	26	27	72	20	3	110

Caster Information:
 (4) 5" Polyurethane Casters 738AW
 5" Polyurethane Wheel 7112
Freight Class: 250

Runner Angle:
 1.25" x 6.1"

Option:
 XB XHD Reinforced Upright

Holds:
 18" x 26" & 14" x 18" Pans
 Full, Half, & 1/3 Size Steam Pans
 (held by bottom)



In line with our policy to continually improve our products, Winholt reserves the right to change materials and specifications without notice.