



SERVING THE FOOD INDUSTRY SINCE 1951

Heated Pass-through Stations

ITEM:	47510	43465	47511	47512	47513
MODEL:	DW-CN-0065	DW-CN-0065	DW-CN-0102	DW-CN-0121	DW-CN-0138



Boost sales and attract customers with our display warmers, highlighting your products at their best.

These economical and attractive display warmers are constructed with stainless steel exterior, making them durable and easy-to-clean. They're perfect for concession stands, convenience stores, cafes, or small delis while keeping your goods warm.

FEATURES:

- Made with Tempered Glass:**
View the food items without exposing them to contaminants, while enticing customers with the presentation.
- Sleek Design with Interior Lighting:**
Boosts visual appeal of display items that entices customers
- Multiple Shelves & Adjustable Divider Rods:**
Provides versatility in arranging various food items and optimizing space within the warmer.
- Adjustable Temperature Settings:**
Controls the temperature to suit specific food items, maintain consistent warmth and safety standards
- Durable Construction:**
Made with stainless steel and easy maintain ensuring quality and long-lasting durability

Telephone: 1-800-465-0234

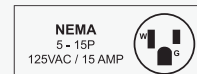
Fax: (905) 607-0234

Email: sales@omcan.com

Website: www.omcan.com



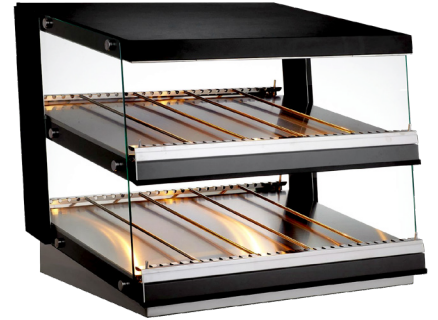
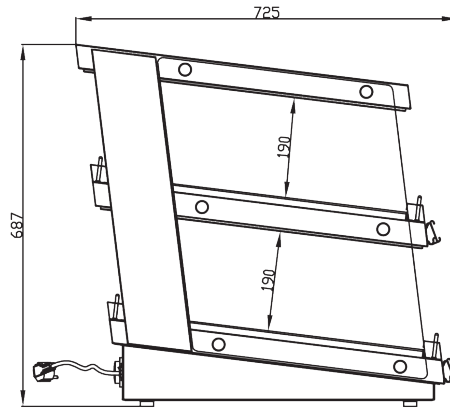
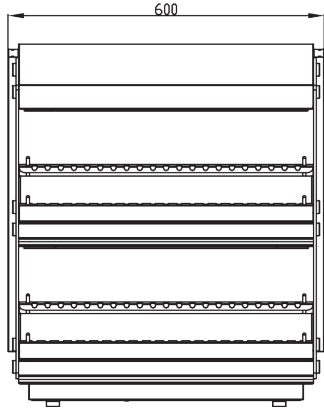
Authorized Dealer



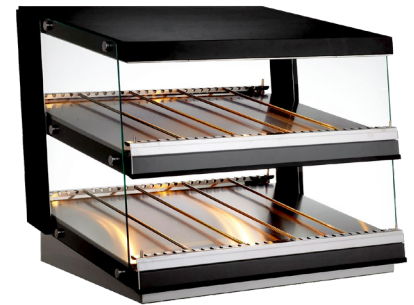
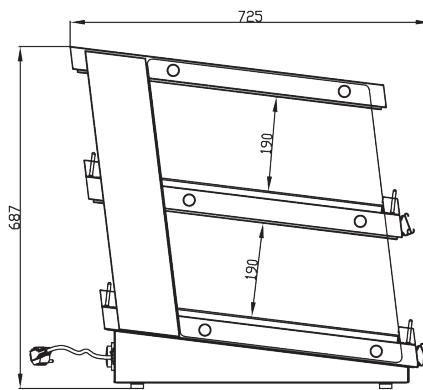
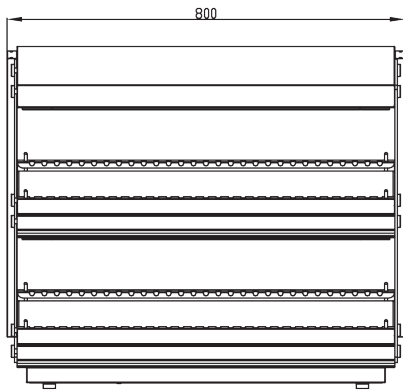
TECHNICAL SPECIFICATION			
Features	23.6" wide with 2.3 / 65 L cu. ft. Capacity	32" wide with 3 Cu.ft / 85 L Capacity	37.5" wide with 102 L / 3.6 cu. ft. Capacity
Item Number	47510	43465	47511
Model	DW-CN-0065	DW-CN-0085	DW-CN-0102
Capacity	2.3 cu. ft / 65 L	3 cu.ft / 85 L	102 L / 3.6 cu. ft.
Temperature Range	30°C - 90°C / 86°F - 194°F	30°C - 90°C / 86°F - 194°F	30°C - 90°C / 86°F - 194°F
Power	1800 W	1800 W	1800 W
Amps	15A	15A	15A
Electrical	120V / 60Hz / 1Ph	120V / 60Hz / 1Ph	120V / 60Hz / 1Ph
Net Weight	72.75 lb. / 33 kg.	92.6 lb. / 41 kg.	108 lb. / 49 kg.
Net Dimensions (DWH)	23.6" x 27.8" x 27.2" / 600 x 707 x 691 mm	31.5" x 27.8" x 27.2" / 800 x 707 x 691 mm	37.5" x 27.8" x 27.2" / 953 x 707 x 691 mm
Gross Weight	79 lb. / 36 kg.	99 lb. / 45 kg.	119 lb. / 54 kg.
Gross Dimensions	26.2" x 30.2" x 29" / 666 x 767 x 736 mm	34" x 30.2" x 29" / 870 x 767 x 736 mm	40.1" x 30.2" x 29" / 1019 x 767 x 736 mm
Plug Type	NEMA 5-15P	NEMA 5-15P	NEMA 5-15P

TECHNICAL SPECIFICATION		
Features	43.5" wide with 4.27 cu.ft. / 121 L Capacity	49.6" wide with 4.87 cu.ft / 138 L Capacity
Item Number	47512	47513
Model	DW-CN-0121	DW-CN-0138
Capacity	14.27 cu. ft. / 21 L	4.87 cu. ft. / 138 L
Temperature Range	30°C - 90°C / 86°F - 194°F	30°C - 90°C / 86°F - 194°F
Power	1800 W	1800 W
Amps	15A	15A
Electrical	120V / 60Hz / 1Ph	120V / 60Hz / 1Ph
Net Weight	121.2 lb. / 55 kg.	143.3 lb. / 65 kg.
Net Dimensions (DWH)	43.5" x 27.8" x 27.2" / 1106 x 707 x 691 mm	49.6" x 27.8" x 27.2" / 1259 x 707 x 691 mm
Gross Weight	128 lb. / 58 kg.	156.5 lb. / 71 kg.
Gross Dimensions	46.1" x 30.2" x 29" / 1172 x 767 x 736 mm	52.2" x 30.2" x 29" / 1325 x 767 x 736 mm
Plug Type	NEMA 5-15P	NEMA 5-15P

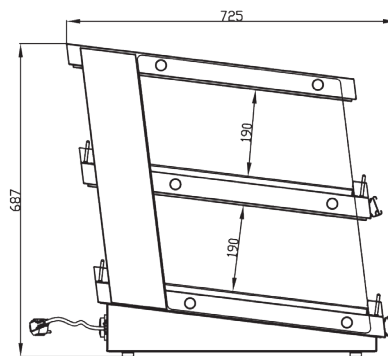
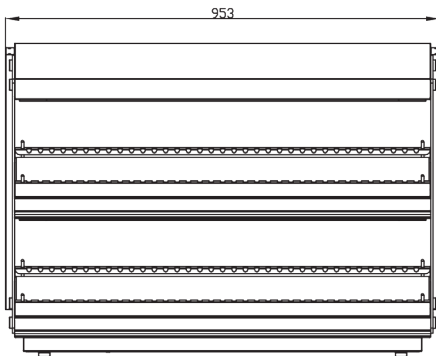
TECHNICAL DRAWING (in mm)



47510

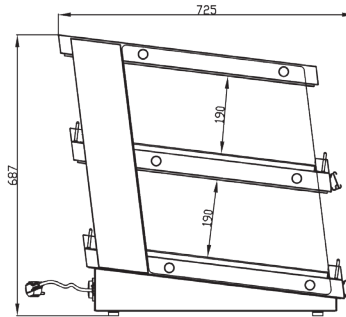
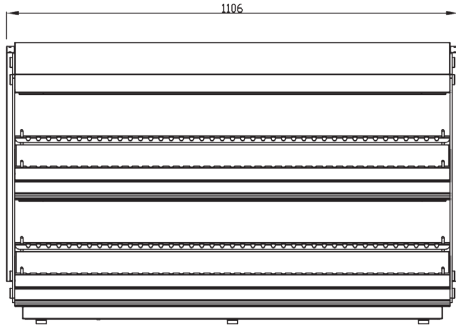


43465

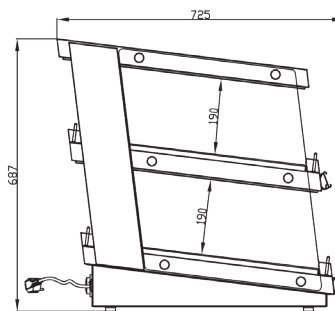
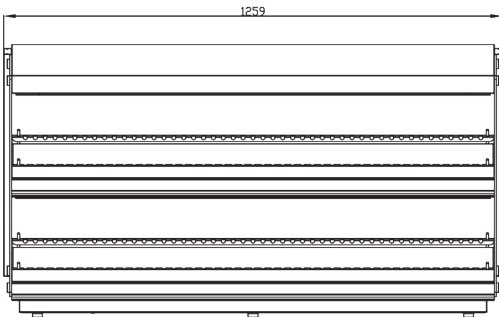


47511

TECHNICAL DRAWING (in mm)



47512



47513