

Project: _____

Items: _____

Quantity: _____

Approval: _____

Date: _____

Triple Ingredient Bins

This set of three ingredient bins allows you to redefine efficiency in your work space. It also promotes work space optimization.

Features:

- Heavy Duty plastic bins constructed of seamless one-piece sanitary polyethylene, USDA approved
- Available in three colors - Blue, White and Yellow
- The bins are held in a frame constructed of sanitary aluminum
- Each bin measures 9.25"(235mm) x 14.625"(371mm) x 23.25"(591mm)
- Each bin can hold 55lbs (25kg) of flour and 75lbs(34kg) of sugar
- Maneuvers easily on large 5" polyurethane casters
- The bins come with three clear plastic covers
- As per application, aluminum covers are also available for the bins, sold separately

Benefits:

- USDA approved plastic bins, making them food-safe
- Easier color coding for storing different items in your work space
- Wheels on the aluminum frame makes the entire unit portable
- Frame being constructed of aluminum, keeps it rust-free
- Heavy-duty frame creates a comfortable working height for your associates while accessing the bins
- Provided a resource for associates to store their personal devices securely in a protected environment
- Overall unit conveniently fits under work tables ensuring your work space is optimized well



148PIB

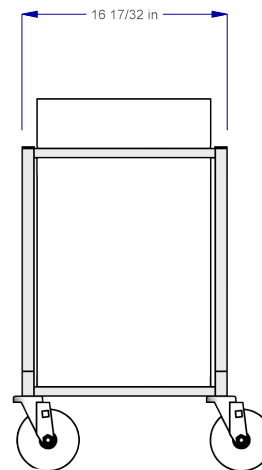
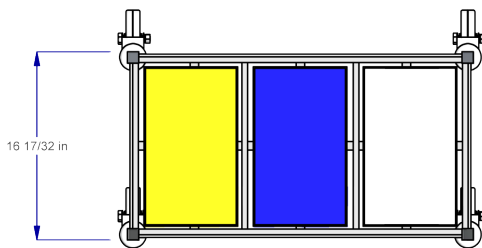
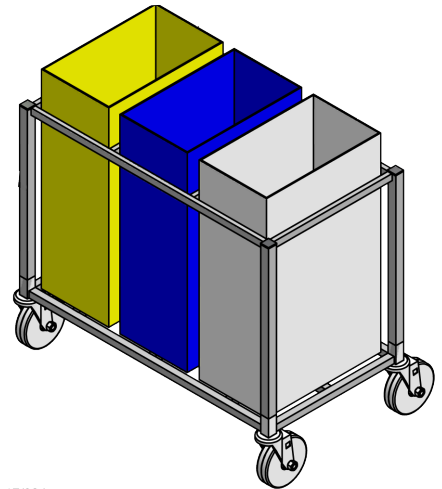
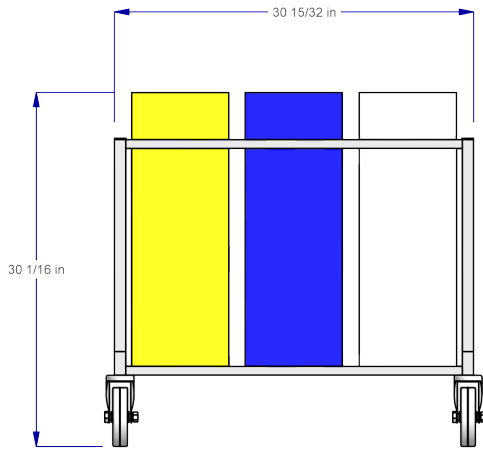


148PIB with plastic covers 148COV



Founded in 1946

Triple Ingredient Bins



Model Number	Order#	Overall Dimensions						Approx. Ship Wt	
		Width		Length		Height			
		(in)	(mm)	(in)	(mm)	(in)	(mm)	(lb)	(kg)
148PIB	111940	17	432	31.5	800	28.75	730	28	13

Freight Class: 150



In line with our policy to continually improve our products, Winholt reserves the right to change materials and specifications without notice.