



SERVING THE FOOD INDUSTRY SINCE 1951

Imbera Elite Glass Door Refrigerations

Item: #45800 #45801
 Model: VR1.5 VR04



Its small size makes this an ideal cooler for places with limited space.

Spacious glass door refrigerator crafted with enduring quality. Sleek design featuring innovative technology, high-efficiency components, and the most attractive product display in its category. Small size countertop refrigerated display glass door merchandiser, ideal for promotions or impulse new products. Designed for places with limited space.

FEATURES:

- **PA refrigeration system**

Ensures rapid and effective cabinet cool down and maintains consistent temperature range with minimum energy consumption.

- **Electronic Temperature Controller**

Assures the optimal performance of the cooler, delivering product temperature ideal for consumption.

- **High Efficiency Glass Door**

Equipped with double panel glass and low-e film to reduce condensation. Door hinge is equipped with a self-closing system to ensure the door closes safely, and returns to original position, without any damages.

- **CFC and HFC Free Cyclopentane Foam**

Eco-friendly, recyclable, and high-efficiency cabinet insulation.

- **LED Lighting System**

Our LED system uses a fraction of the energy of regular fluorescent lights and requires no replacement for up seven years.



Telephone: 1-800-465-0234

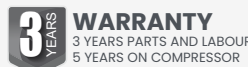
Fax: (905) 607-0234

Email: sales@omcan.com

Website: www.omcan.com



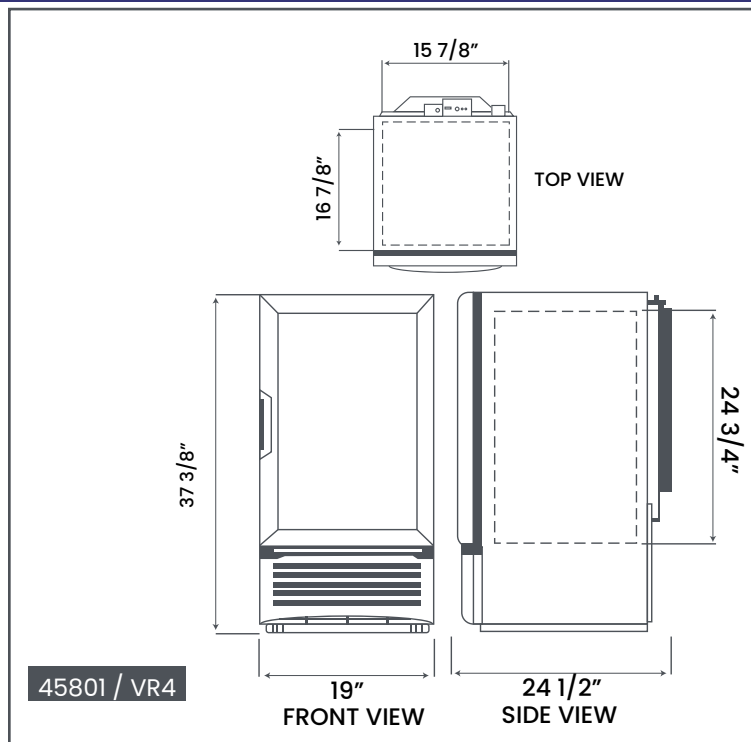
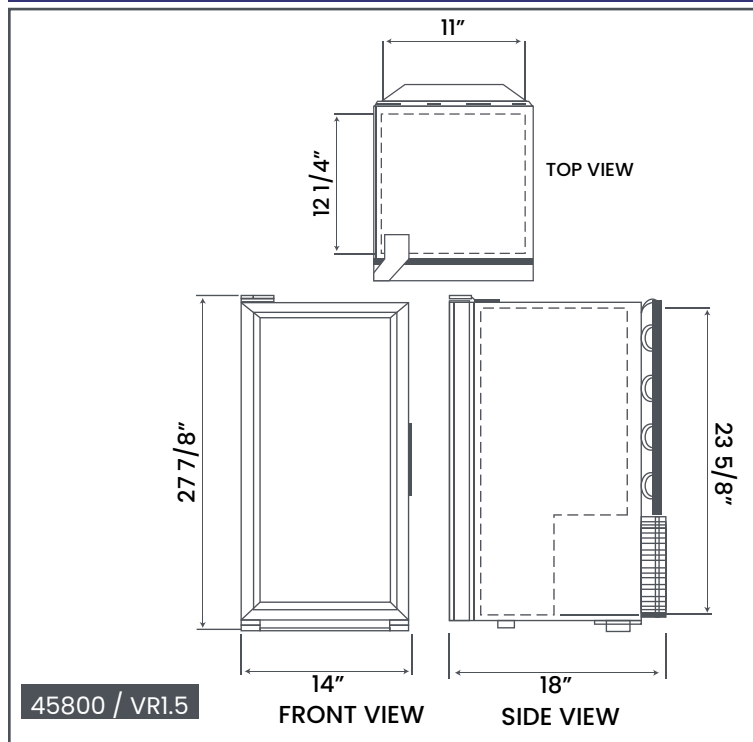
Authorized Dealer



(Version 2023.10)

Page 1 / 2

TECHNICAL DRAWING (mm)



TECHNICAL SPECIFICATION

Item	45800	45801
Model	VR1.5	VR04
Capacity	20 oz bottle capacity - Flat: 15	20 oz bottle capacity - Flat: 50
Volume	1.5 cu.ft. / 42.4 L	4 cu.ft. / 113.3 L
Number of Doors	1 Swing Door	1 Swing Door
Number of Shelves	3	3
Power	1/10 HP / 75W	1/6 HP / 122 W
Amps	1.7 A	2.1 A
Electrical	115V / 60Hz / 1Ph	115V / 60Hz / 1Ph
Temperature Range	7 to 0°C / 44.6 to 32°F	7 to 0°C / 44.6 to 32°F
Interior Dimensions (WDH)	12.25" x 11" x 23.6" / 311 x 279 x 599 mm	17" x 16" x 24.75" / 432 x 406 x 629 mm
Net Weight	58 lb. / 26.3 kg.	96.3 lb. / 43.7 kg.
Net Dimensions (WDH)	14" x 18" x 28" / 356 x 457 x 711 mm	19" x 18" x 37.4" / 482.6 x 457.2 x 950 mm
Gross Weight	61.3 lb. / 27.8 kg.	100.3 lb. / 45.5 kg.
Gross Dimensions (WDH)	22.5" x 16.8" x 28" / 572 x 427 x 711 mm	26" x 23" x 37.4" / 660 x 584 x 950 mm
Plug Type	NEMA 5-15P	NEMA 5-15P

BMAD System (Low maintenance high performance). Dimensions rounded up to the nearest inch or millimeter. Specifications subject to change without notice.