



Project: \_\_\_\_\_  
 Items: \_\_\_\_\_  
 Quantity: \_\_\_\_\_  
 Approval: \_\_\_\_\_  
 Date: \_\_\_\_\_

## Stainless Steel Chicken Breeding Work Station

This Stainless Steel Chicken Breeding Work Station is an efficient, easy, fast, and cleanly breeding station for chicken and other foods. Includes sections to dredge, egg wash, season, breadcrumb and store food.

### Features:

- All welded stainless steel construction
- Top shelf for spices
- Marinade Pan
- Bottom cabinet for chicken storage
- (2) Tubs with lids
- (1) Sheet Pan
- Manuevers easily on 5" polyurethane casters: (2) swivel with brakes and (2) rigid
- 8" Runner Spacing

### Benefits:

- Chicken prep, storage, and transport rack solution.
- Stainless steel work station to bread chicken or other food items for frying.
- All-in-one station: dredge, egg wash, and breadcrumb food in one place.
- Maintains sanitary environment in the kitchen
- Safely and efficiently prepare and transport meat and poultry.
- Used by restaurants and supermarkets in chicken preparation areas.



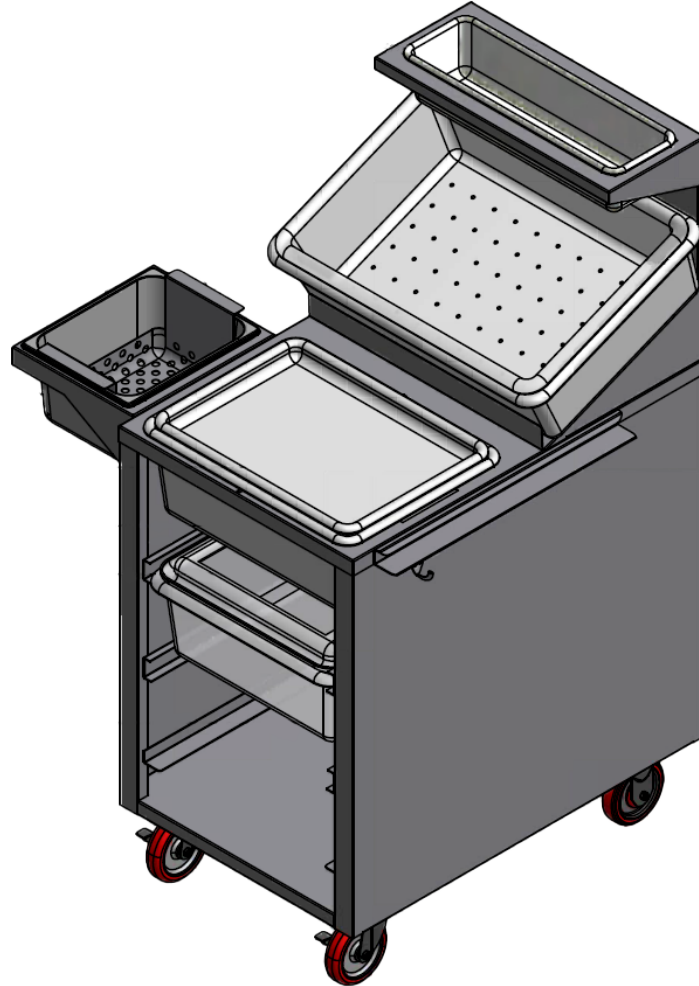
**SSBC-3322-3R-ZPC-KT**





Founded in 1946

# Stainless Steel Chicken Breeding Work Station



Model Number	Order#	Overall Dimensions						Approx. Ship Wt	
		Width		Length		Height		(lb)	(kg)
		(in)	(mm)	(in)	(mm)	(in)	(mm)		
SSBC-3322-3R-ZPC-KT	1026819	22.13	562	33	838	55	1397	120	54.43

**Caster Information:**

- (2) 5" Polyurethane Swivel Plate Casters with Brake
- (2) 5" Polyurethane Rigid Plate Casters

**Freight Class: 150**



In line with our policy to continually improve our products, Winholt reserves the right to change materials and specifications without notice.