



# REFRIGERATION

SERVING THE FOOD INDUSTRY SINCE 1951

## 120L CAPACITY ICE CREAM DIPPING FREEZERS WITH FLAT SNEEZE GUARD

Item: 44590 Model:FR-CN-0160-S

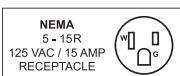


### Features:

- Displays (4) and stores (2) 3-gal tubs of ice cream
- Comes with four casters for mobility
- Designed with sliding doors and locks for easy access
- Exterior is made of durable white powder coated steel; precoated steel interior wall
- Built-in lock for security
- Grey plastics trim and door frames
- Conveniently located rear defrost drain



**WARRANTY**  
PARTS AND LABOR



Authorized Dealer

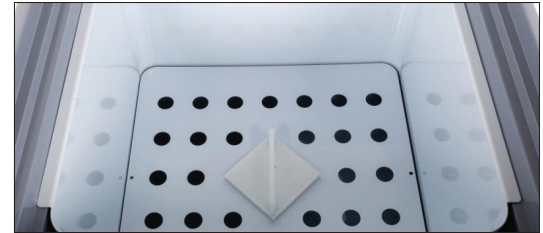
# REFRIGERATION

120 L CAPACITY ICE CREAM DIPPING FREEZERS  
WITH FLAT SNEEZE GUARD



## TECHNICAL SPECIFICATIONS

Item	44590
Model	FR-CN-0160-S
Freezer capacity	120 L
Tube Load QTY.	4 displayed + 2 stored
Temperature Range	-26 - 6°C / -15 - 43°F
Foaming Components	C-P
Refrigerant	R290
Compressor HP	1/4+
Amp	3
BTU	717
Door Panel	Glass
Dimensions (WDH)	26" x 28" x 52" / 665 x 715 x 1325 mm
Gross Dimensions	26" x 30" x 37" / 665 x 762 x 940mm (Cabinet), 26" x 23" x 0.5" / 665 x 584 x 12.7mm (Glass canopy)
Net Weight	154 lbs./ 70 kgs
Gross Weight	170 lbs./ 77 kgs



Store up to 2 tubs of 3-gal ice cream

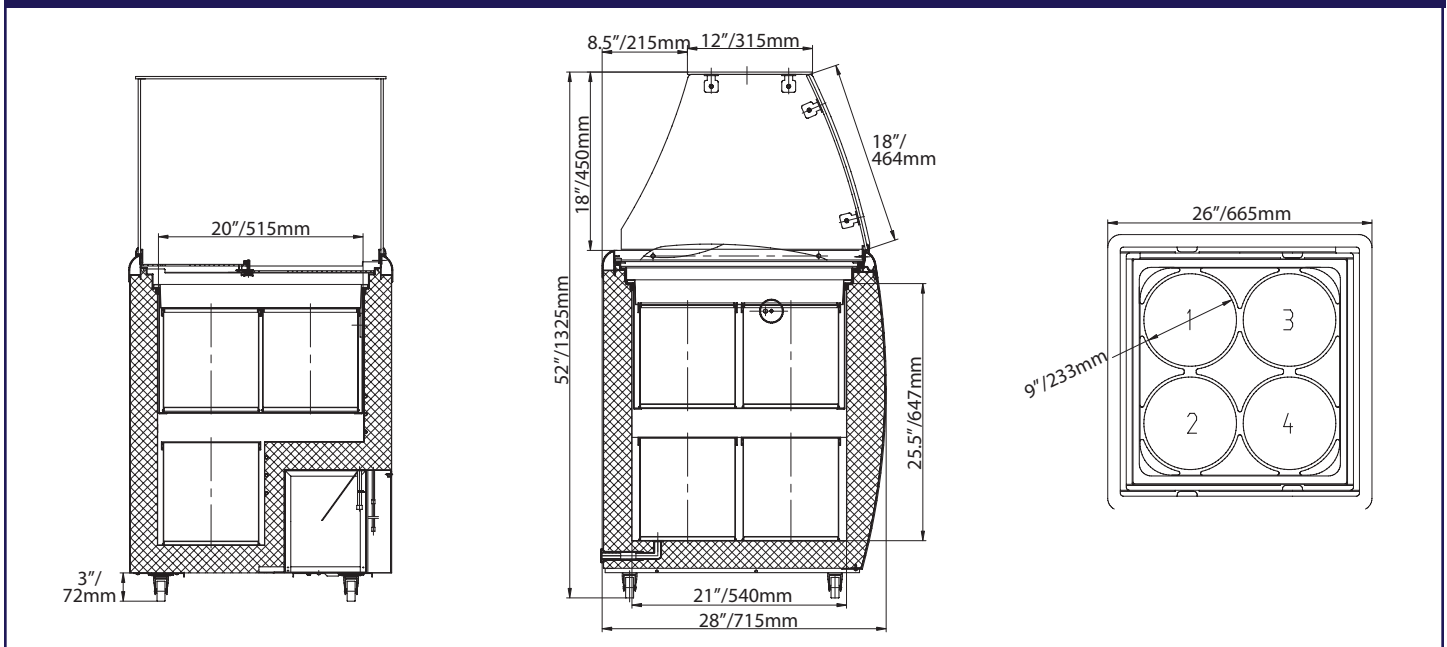


Sliding doors for easy access



Flat-glass Sneeze guard to prevent contamination

## Technical Drawings With Detailed Dimensions



**OMCAN INC.**

Telephone: 1-800-465-0234

Fax: (905) 607-0234

Email: sales@omcan.com

Website: www.omcan.com



Follow us to keep up to date with the latest news and offers



2017E&OE