



# FOOD DEHYDRATOR

SERVING THE FOOD INDUSTRY SINCE 1951

## STAINLESS STEEL FOOD DEHYDRATOR WITH DIGITAL CONTROL

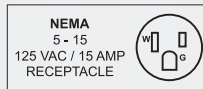
Item: 47446	47557
Model: CE-CN-0012-E	CE-CN-0016-E



#47446

#47557

Omcans Food Dehydrator is perfect for making your healthy vegetable chips, fruit, snacks, meat jerky and bread crumbs.



Authorized Dealer

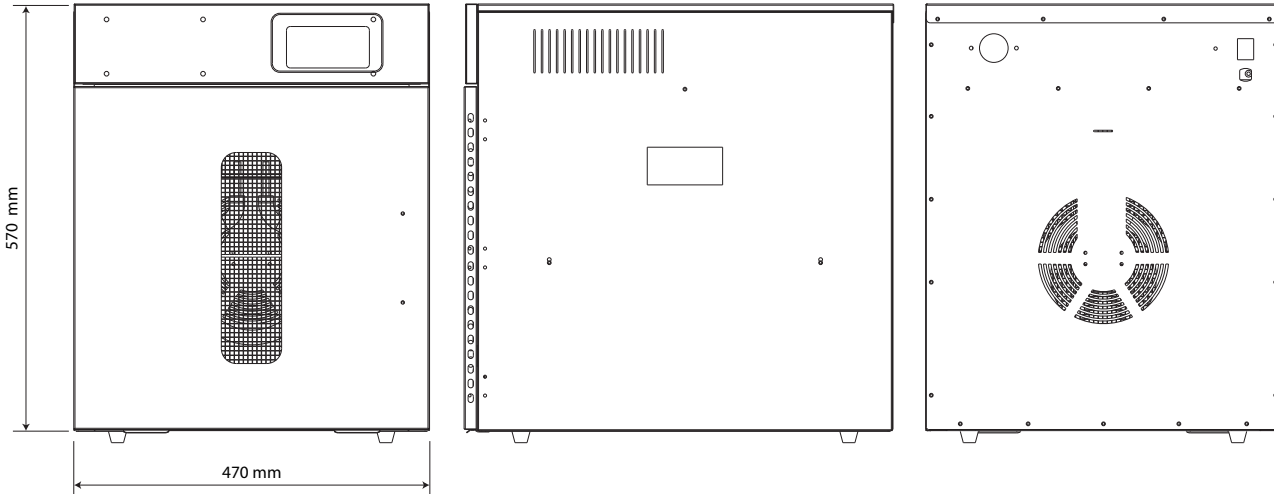
# 12 TRAYS FOOD DEHYDRATOR

#47446 Model: CE-CN-0012-E

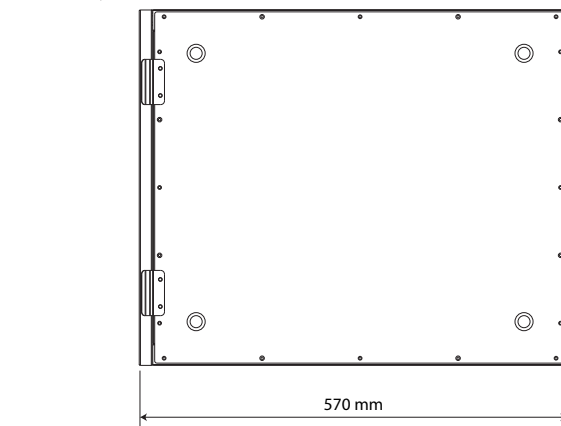
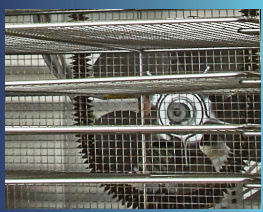


## TECHNICAL DRAWINGS & DIMENSIONS

\*measurements in diagrams are in mm



Time & temperature digital touchscreen controller



## TECHNICAL SPECIFICATIONS

### 12 Trays Stainless Steel Food Dehydrator With Digital Control

Item Number	47446
Model	CE-CN-0012-E
Electrical	120V/ 60Hz/ 1Hp
Power	1000 Watts
Time	0-24 hr adjustable
Temperature Range	30 - 90°C / 86 - 194°F
Operating Noise	45 - 50 dB
Quantity of Trays	12 trays
Drying Tray	400 x 380 mm with additional crumb tray
Material	0.6 - 0.8 mm SUS 201 Stainless Steel - Double Layer Body
Net Dimensions (DWH)	570 x 470 x 570 mm 22.4" x 18.5" x 22.4"
Net Weight	25 kg / 55 lbs
Gross Weight	27 kg / 59.5 lbs

## OMCAN INC.

Telephone: 1-800-465-0234

Fax: (905) 607-0234

Email: sales@omcan.com

Website: www.omcan.com



Follow us to keep up to date with the latest news and offers



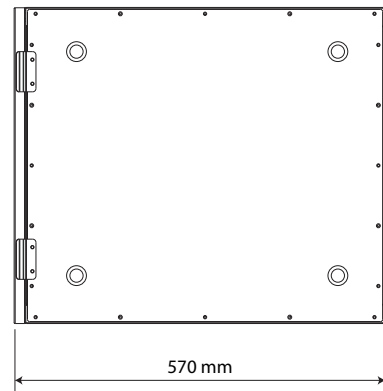
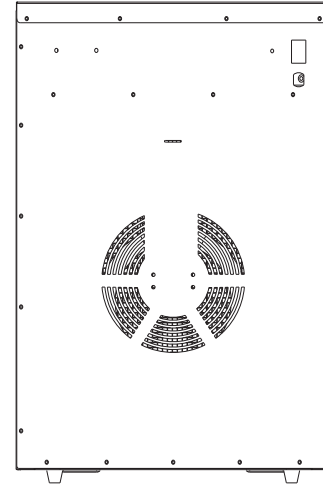
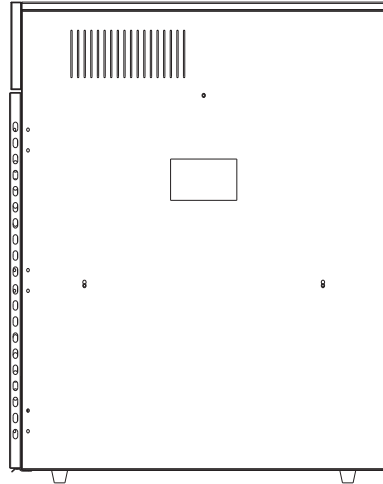
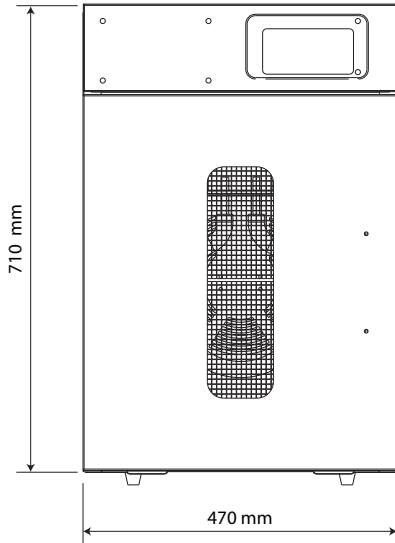
# 16 TRAYS FOOD DEHYDRATOR

#47557 Model: CE-CN-0016-E

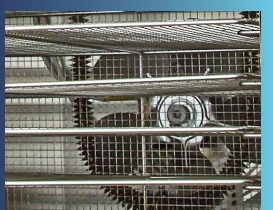


## TECHNICAL DRAWINGS & DIMENSIONS

\*measurements in diagrams are in mm



Time & temperature digital touchscreen controller



## TECHNICAL SPECIFICATIONS

### 16 Trays Stainless Steel Food Dehydrator With Digital Control

Item Number	47557
Model	CE-CN-0016-E
Electrical	120V/ 60Hz/ 1Hp
Power	1500W (integrated Power Consumption 1200W)
Time	0-24 hr adjustable
Temperature Range	30 - 90°C / 86 - 194°F
Operating Noise	50 - 55 dB
Quantity of Trays	16 trays
Drying Tray	400 x 380 mm with additional crumb tray
Material	0.6 - 0.8 mm SUS 201 Stainless Steel - Double Layer Body
Tray Material	SUS304 Stainless Steel - Aluminum Handle
Net Dimensions (DWH)	570 x 470 x 710 mm 22.4" x 18.5" x 27.95"
Net Weight	30 kg / 66.1 lbs
Gross Weight	32.5 kg / 71.65 lbs

## OMCAN INC.

Telephone: 1-800-465-0234

Fax: (905) 607-0234

Email: sales@omcan.com

Website: www.omcan.com

com



Follow us to keep up to date with the latest news and offers



2017E&OE