



SERVING THE FOOD INDUSTRY SINCE 1951

Black Display Freezer, Glass Doors

ITEM: 51029 51030 51031 51075 51087
 MODEL: FR-CN-0012-HC-BK FR-CN-0790-HC-BK FR-CN-1250-HC-BK FR-CN-0045-HC-BK FR-CN-0052-HC-BK



51029 / 51030



51031 / 51075



51087

High Performance and Quality Commercial Freezer

Spacious glass door freezer crafted with enduring quality. Sleek design featuring innovative technology, high-efficiency components, and the most attractive product display in its category.

FEATURES:

- Outside material: Coated steel
- Interior: Attractive aluminum liner with stainless steel floor
- Self-closing door
- LED lighting
- Adjustable heavy-duty PVC coated shelves
- Automatic defrosting
- With casters

Telephone: 1-800-465-0234

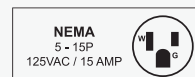
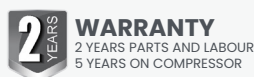
Fax: (905) 607-0234

Email: sales@omcan.com

Website: www.omcan.com



Authorized Dealer

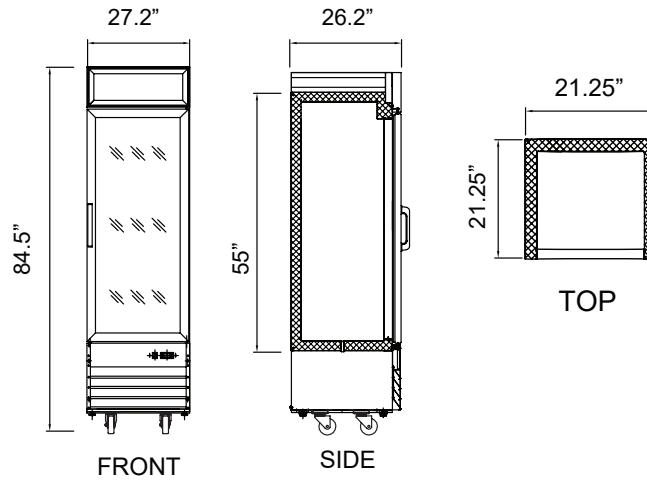


TECHNICAL SPECIFICATION

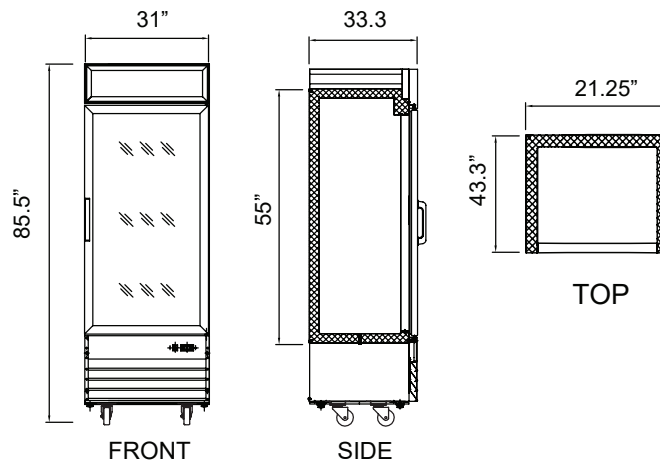
Features	27" Wide with 12.3 cu. ft. (368 L) Capacity	31" Wide with 23 cu. ft. (648 L) Capacity	49" Wide with 29 cu. ft. (821 L) Capacity	53" Wide with 45 cu. ft. (1270 L) Capacity	80" Wide with 52.3 cu. ft. (1650 L) Capacity
Item	51029	51030	51031	51075	51087
Model	FR-CN-0012-HC-BK	FR-CN-0790-HC-BK	FR-CN-1250-HC-BK	FR-CN-0045-HC-BK	FR-CN-0052-HC-BK
Colour	Black				
Capacity	12.3 cu. ft. (368 L)	23 cu. ft. (648 L)	29 cu. ft. (821 L)	45 cu. ft. (1270 L)	52.3 cu. ft. (1650 L)
Number of Doors	1 Swing Door - Glass Door		2 Swing Doors - Glass Door		3 Swing Doors - Glass Door
Door Type	Self-Closing				
Number of Shelve:	4		10		15
Shelf Capacity	88 lb. (40 kg.)				
Shelf Material	Plastic Coated				
Number of Casters	Yes (4)				
Exterior Material	Painted Coated Steel				
Interior Material	Aluminum Liner				
Power	510W	732W	876W	1,000W	1,600W
Amps	5.3A	7.6A	9.1A	10.6A	15.6A
Electrical	110-120V / 60Hz / 1Ph				
Temperature Controller	Digital				
Temperature Range	-19 to -18°C (-7 to 0°F)				
Refrigerant	R290				
Insulation Material	C5H10				
Defrosting	Automatic				
Cooling System	Ventilated				
Interior Dimensions (WDH)	21.25 x 21.25" x 55" (540 x 540 x 1400 mm)	25.2" x 28.35 x 61.8" (640 x 720 x 1575 mm)	43.3" x 21.25" x 55" (1100 x 540 x 1400 mm)	47.4" x 30" x 58.7" (1204 x 685 x 1490 mm)	73.5" x 23.6" x 59.7" (1868 x 600 x 1517 mm)
Net Weight	348 lb. (158 kg.)	408 lb. (185 kg.)	463 lb. (210 kg.)	507 lb. (230 kg.)	615 lb. (279 kg.)
Net Dimensions (WDH)	27.2" x 26.2" x 84.5" (690 x 665 x 2146 mm)	31" x 33.3" x 85.5" (790 x 845 x 2172 mm)	49.21" x 26.2" x 84.5" (1250 x 665 x 2146 mm)	53.2" x 32 x 83.5" (1350 x 810 x 2121 mm)	79.5" x 30.5" x 84.5" (2020 x 775 x 2146 mm)
Gross Weight	396 lb. (175 kg.)	441 lb. (200 kg.)	507 lb. (230 kg.)	551 lb. (250 kg.)	683 lb. (310 kg.)
Gross Dimensions (WDH)	30" x 30" x 87" (760 x 760 x 2220 mm)	34" x 37" x 89" (860 x 945 x 2260 mm)	52" x 30" x 89" (1310 x 765 x 2260 mm)	56" x 36" x 85" (1420 x 905 x 2160 mm)	82" x 34" x 87" (2090 x 880 x 2220 mm)
Plug Type	NEMA 5-15P				

* This equipment is intended for indoor environment using where ambient temperature do not exceed 24°C(75°F) & 55% relative humidity

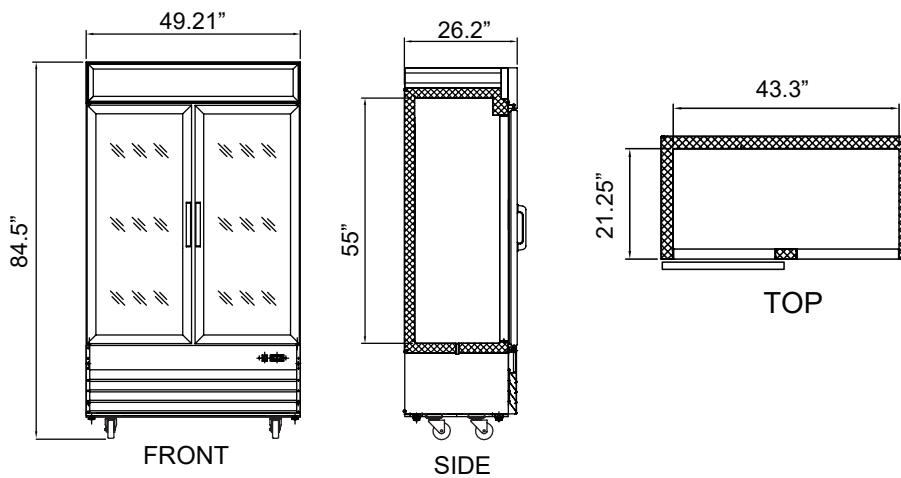
TECHNICAL DRAWING



51029

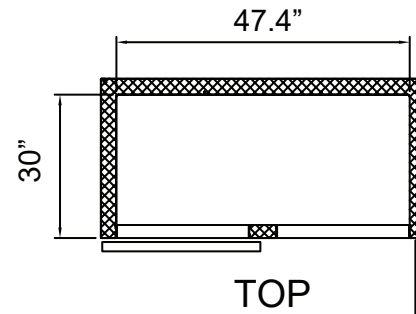
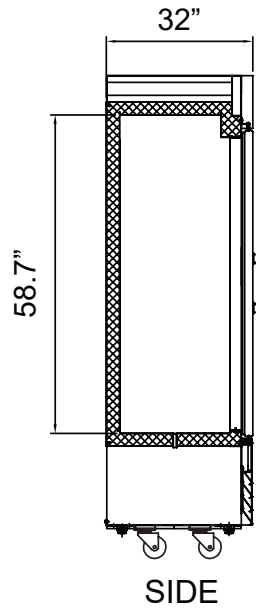
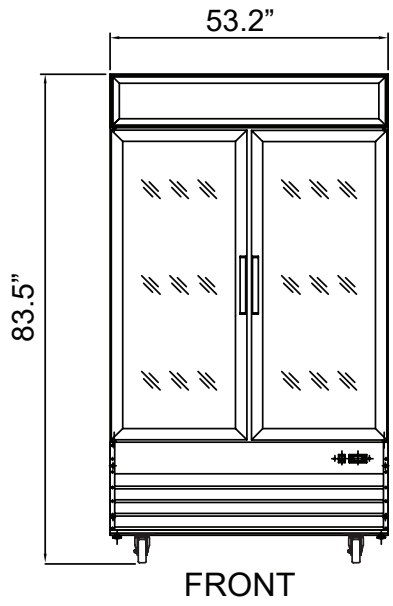


51030

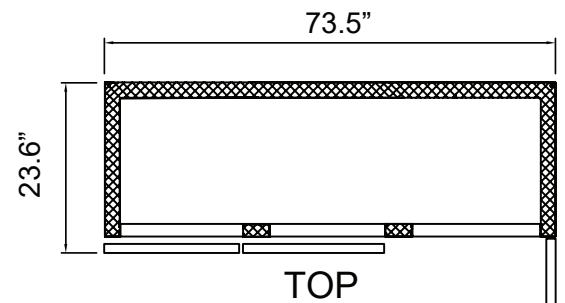
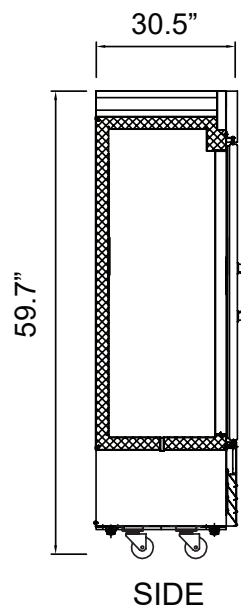
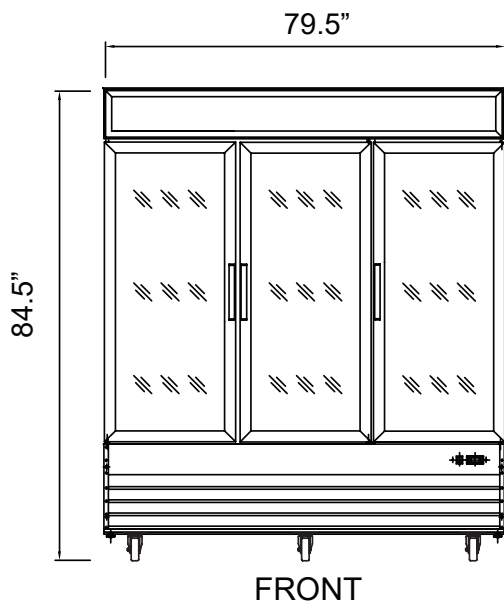


51031

TECHNICAL DRAWING



51075



51087