



SERVING THE FOOD INDUSTRY SINCE 1951

COMMERCIAL ICE CREAM DISPLAY CHEST FREEZER WITH FLAT GLASS TOP

54" - Item: 49294 Model: FR-CN-0400

66" - Item: 49295 Model: FR-CN-0500

Omcan's Ice Cream Chest Freezer is ideal for ice cream parlors, convenience stores & supermarkets

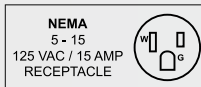
The commercial freezer is designed to merchandise and provide increased sales of frozen novelties and seasonal specialties. Its flat glass top puts your products in a clear view of your customers. This freezer gives a spacious interior to keep an abundance of frozen products.

MAIN FEATURES

- ▶ Exterior: Cold-Roll Steel Sheet
- ▶ Interior: Embossed Aluminum
- ▶ 4 Castors
- ▶ Sliding doors and built-in lock for security



WARRANTY
PARTS AND LABOR



Authorized Dealer



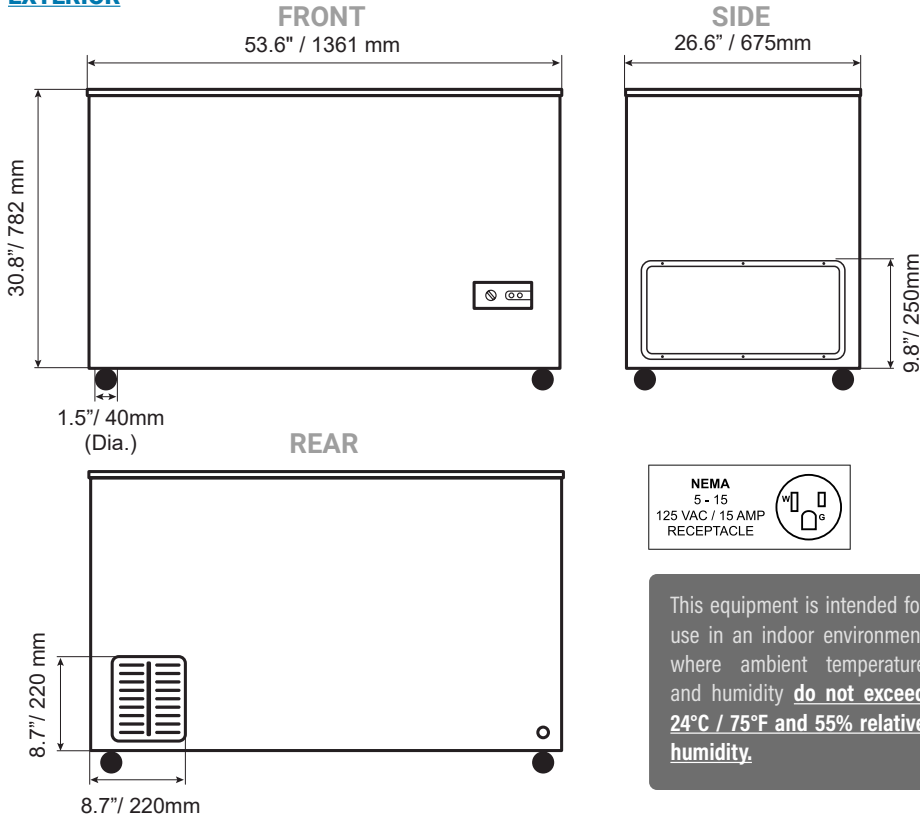
54" ICE CREAM FREEZER

Item: 49294 | Model: FR-CN-0400

TECHNICAL DRAWINGS & DIMENSIONS

*measurements in diagrams are in mm

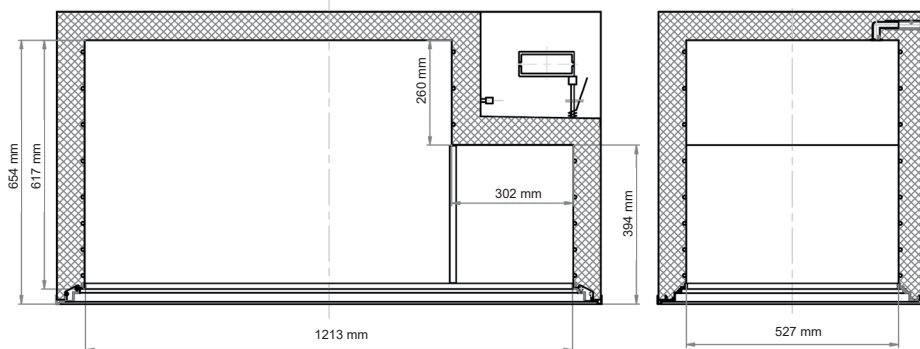
EXTERIOR



TECHNICAL SPECIFICATIONS

54-inch Ice Cream Display Chest Freezer with Flat Glass Top	
Item Number	49294
Model	FR-CN-0400
Freezer Capacity	358 L / 12.6 cu. ft
Temperature Range	-0.4 to 32 °F / -18 to 0°C
Refrigerant	R290
Electrical	115V/ 60Hz/1Ph
Amps	3.5A
Built-in Lock	Yes
Number of Baskets	4
Basket Dimensions	580 x 280 x 275 mm 22.8" x 11" x 10.8"
Mobility Wheels	4
Inside Wall	Embossed Aluminum
Door Frame Color	Champagne Brown
Door Type	2 Sliding doors
Net Dimensions (WDH)	1361 x 675 x 782 mm 53.6" x 26.6" x 30.8"
Gross Dimensions (WDH)	1415 x 770 x 870 mm 55.7" x 30.3" x 34.3"
Net Weight	134.5 lbs / 61 kgs
Gross Weight	154.3 lbs / 70 kgs

INTERIOR



OMCAN INC.

Telephone: 1-800-465-0234

Fax: (905) 607-0234

Email: sales@omcan.com

Website: www.omcan.com

Follow us to keep up to date with the latest news and offers



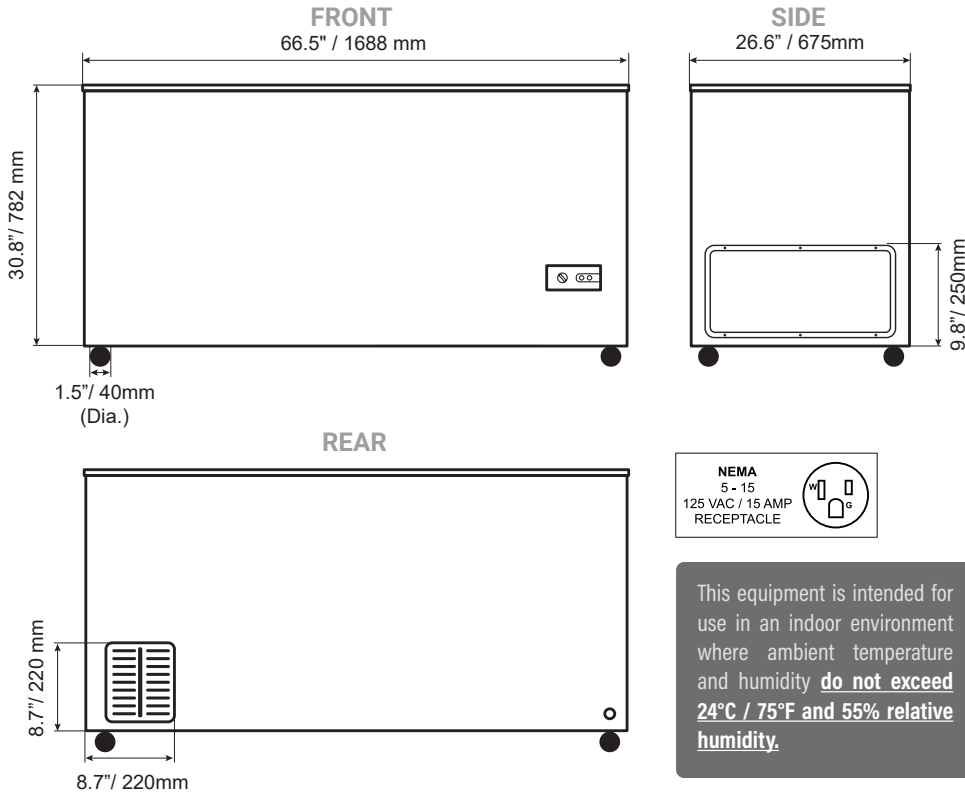
66" ICE CREAM FREEZER

Item: 49295 | Model: FR-CN-0500

TECHNICAL DRAWINGS & DIMENSIONS

*measurements in diagrams are in mm

EXTERIOR

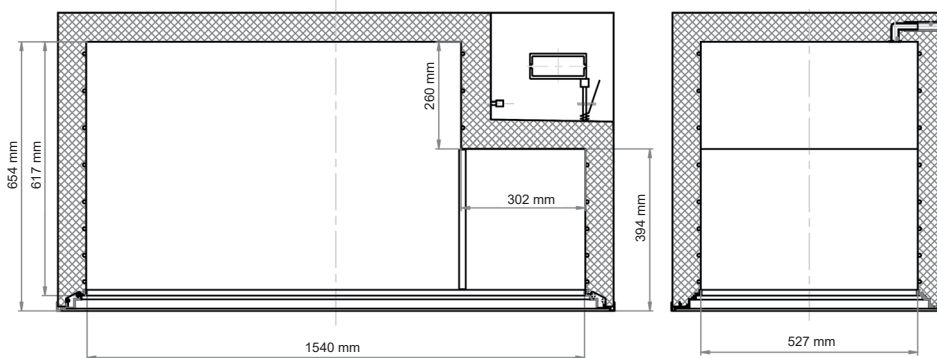


TECHNICAL SPECIFICATIONS

66-inch Ice Cream Display Chest Freezer with Flat Glass Top

Item Number	49295
Model	FR-CN-0500
Freezer Capacity	466 L / 16.5 Cu. ft
Temperature Range	-0.4 to 32 °F / -18 to 0°C
Refrigerant	R290
Electrical	115V/ 60Hz/1Ph
Amps	3.5A
Built-in Lock	Yes
Number of Baskets	4
Basket Dimensions	580 x 280 x 275 mm 22.8" x 11" x 10.8"
Mobility Wheels	4
Inside Wall	Embossed Aluminum
Door Frame Color	Champagne Brown
Door Type	2 Sliding doors
Net Dimensions (WDH)	1688 x 675 x 782 mm 66.5" x 26.6" x 30.8"
Gross Dimensions (WDH)	1742 x 770 x 870 mm 68.9" x 30.3" x 34.3"
Net Weight	156.5 lbs / 71 kgs
Gross Weight	172 lbs / 78 kgs

INTERIOR



OMCAN INC.

Telephone: 1-800-465-0234

Fax: (905) 607-0234

Email: sales@omcan.com

Website: www.omcan.com

Follow us to keep up to date with the latest news and offers

