



SERVING THE FOOD INDUSTRY SINCE 1951

Worktop Freezer With Backsplash

Item: 50094
Model: FR-CN-0686-BS-HC

50096
FR-CN-1219-BS-HC

50098
FR-CN-1524-BS-HC



#50094



#50096 / #50098

FEATURES

- Stainless steel interior and exterior
- Refrigeration system keeps food at safe temperatures between -8° to 0°F / -22 to -18°C
- Self-closing doors with 90 degree stay open
- Adjustable heavy-duty PVC coated shelves
- Digital control system makes it easy to adjust temperature set point and defrost frequency
- Hydro-carbon R290 refrigerant, which is environmentally friendly and more efficient

Telephone: 1-800-465-0234

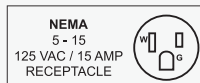
Fax: (905) 607-0234

Email: sales@omcan.com

Website: www.omcan.com



Authorized Dealer



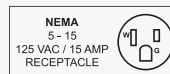
Worktop Freezers With Backsplash



SPECIFICATIONS



Item Number	50094	50096	50098
Model	FR-CN-0686-BS-HC	FR-CN-1219-BS-HC	FR-CN-1524-BS-HC
Description	1 Door / 1 Shelf	2 doors / 2 shelves	
Net Volume	154 L / 5 cu.ft	320 L / 11 cu.ft.	425 L / 15 cu.ft
Power	480W	480W	600W
Current	4.2A	4.2A	5.2A
Refrigerant	R290		
Temperature	-8° - 0°F / -22 to -18°C		
Electrical	115V / 60Hz / 1Ph		
Isolation Material	Cyclopentane		
Cooling System	Ventilated		
Controller	Mechanical / Digital Display		
Defrosting	Automatic		
Self-door Closing	Yes		
Casters	Yes		
Shelf Loading & Materials	88 lb. / 40 kg - Plastic Coated		
Interior Dimensions (WDH)	22.4" x 19.84" x 23.5" 569 x 504 x 597 mm	42.6" x 19.8" x 23.5" 1083 x 504 x 597 mm	55.6" x 19.8" x 23.5" 1413 x 504 x 597 mm
Net Dimensions (WDH)	27" x 29.5" x 38.8" 685 x 750 x 985 mm	47.2" x 29.5" x 38.8" 1200 x 750 x 985 mm	60.2" x 29.5" x 38.8" 1529 x 750 x 985 mm
Gross Dimensions (WDH)	29.7" x 32.3" x 38.2" 755 x 820 x 970 mm	50" x 32.3" x 38.2" 1270 x 820 x 970 mm	63" x 32.3" x 38.2" 1600 x 820 x 970 mm
Net Weight	158.7 lb. / 72 kg	213.8 lb. / 97 kg	253.5 lb. / 115 kg
Gross Weight	202.8 lb. / 92 kg	275.6 lb. / 125 kg	324.1 lb. / 147 kg

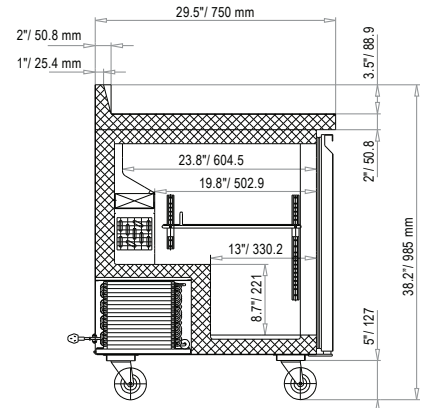


Worktop Freezers With Backsplash



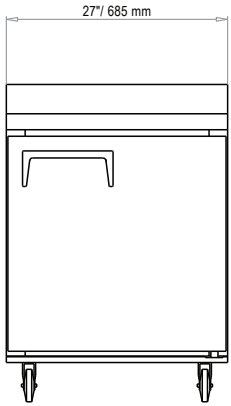
TECHNICAL DRAWING

*Measurements in diagrams are in inch/mm

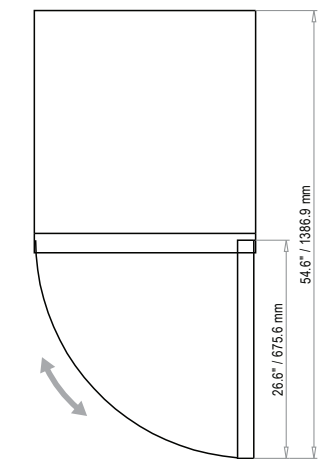


SIDE VIEW

#50094

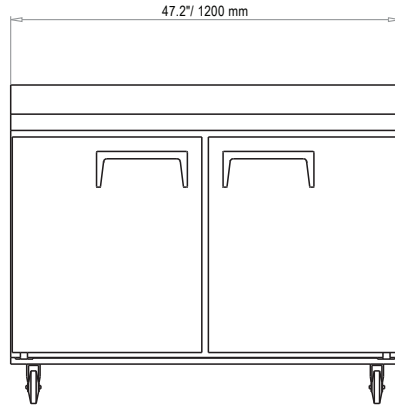


FRONT VIEW

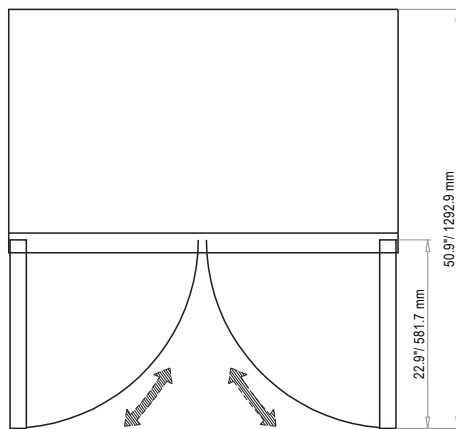


TOP VIEW WITH OPEN DOORS

#50096

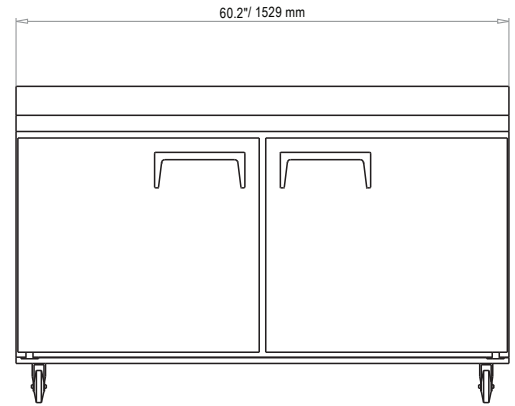


FRONT VIEW

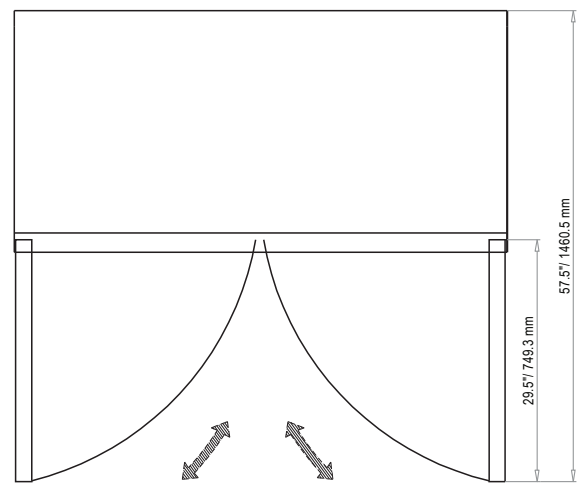


TOP VIEW WITH OPEN DOORS

#50098



FRONT VIEW



TOP VIEW WITH OPEN DOORS

