



SERVING THE FOOD INDUSTRY SINCE 1951

ICE MAKER BIN

| | | |
|-------|-------|-------|
| Item: | 47483 | 47484 |
| | 47773 | 47774 |
| | 47485 | 46452 |



KEY FEATURES

- Easy installation that requires minimal tools and time to set up the machine.
- Efficient ice production ensures a steady supply of ice to meet the business demands.
- Intuitively designed control panel featuring a digital display allows controlling power, ice thickness, cube size, and cleaning cycles.
- Easy maintenance and cleaning help keep the unit in optimal condition.
- Adjustable feet offers an ability to customize the height and level of the appliance to suit the surrounding environment.

Telephone: 1-800-465-0234

Fax: (905) 607-0234

Email: sales@omcan.com

Website: www.omcan.com



Authorized Dealer

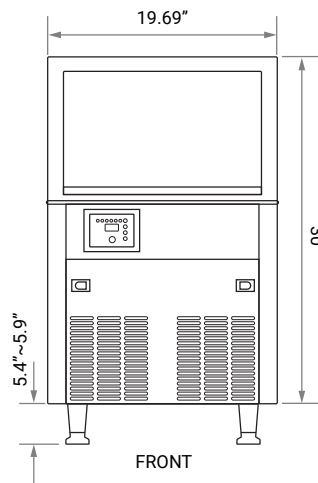


SPECIFICATION

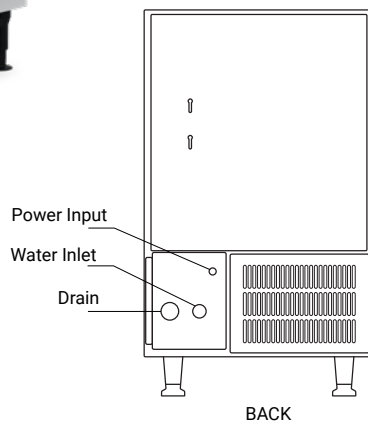
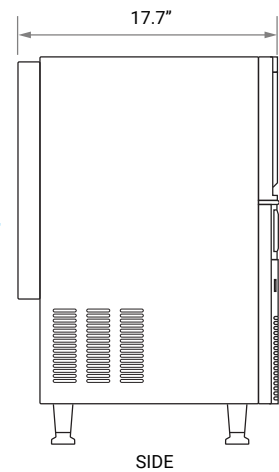
| | 47773 | 47483 |
|-------------------------|--|--|
| Model | IC-CN-0089S | IC-CN-0129S |
| Power | 350 W | 446 W |
| Max Bin Capacity | 33.1 lbs / 15 kg | 39.7 lbs / 18 kg |
| Max Production Per Day | 79.4 lbs / 36 kg | 121.3 lbs / 55 kg |
| Electrical | 115V / 60Hz / 1Ph | |
| Ice Shape | Half Cube 13 x 22 x 22 3/32 - Full Cube: 22 x 22 x 22 mm | |
| Max Ambient Temperature | 5 - 40°C / 41 - 104°F | |
| Condenser Unit | Air | |
| Refrigerant | R290 | |
| Net Weight | 79.4 lbs / 36 kg | 99.2 lbs / 45 kg |
| Gross Weight | 88.2 lbs / 40 kg | 110.2 lbs / 50 kg |
| Net Dimensions (WDH) | 19.7" x 17.7" x 35.4" / 500 x 450 x 900 mm | 19.7" x 23.2" x 35.4" / 500 x 590 x 900 mm |
| Gross Dimensions (WDH) | 22.8" x 20.9" x 32.9" / 580 x 530 x 835 mm | 22.8" x 26.4" x 32.9" / 580 x 670 x 835 mm |

TECHNICAL DRAWING

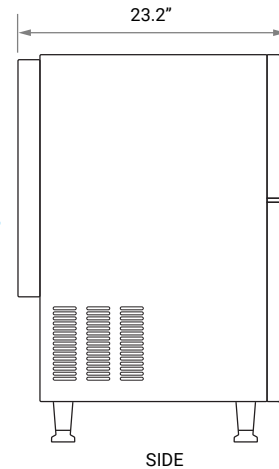
(Measurements in diagrams are in inches)



47773



47483



NEMA
5-20P
125VAC / 20 AMP



SPECIFICATION

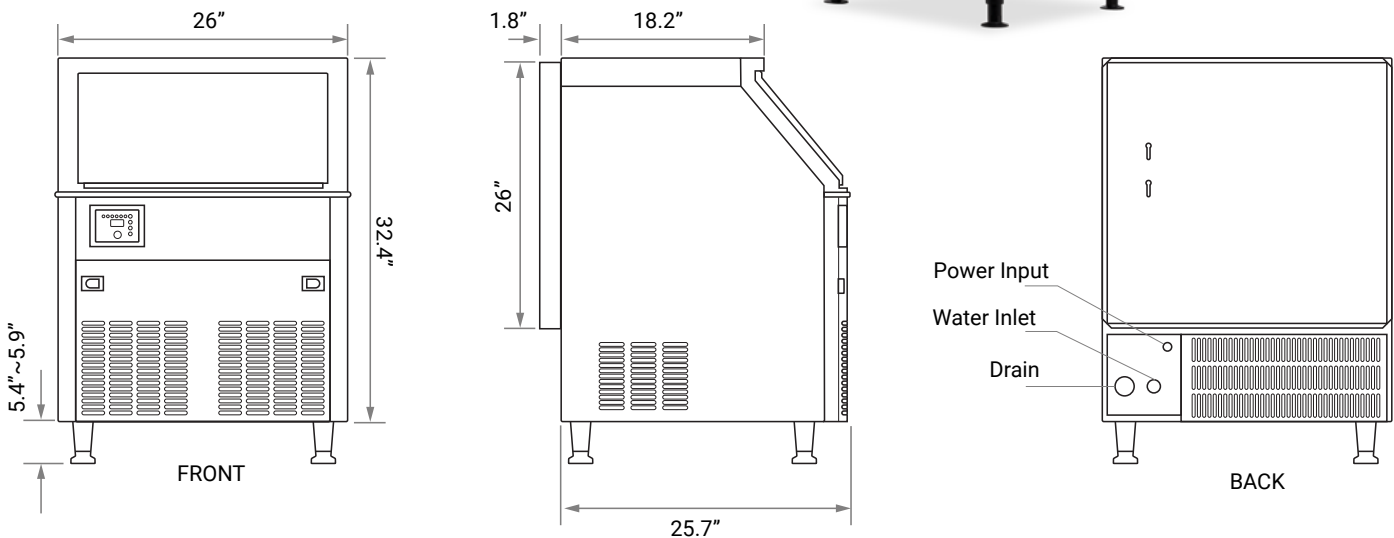
| | 47484 | 47774 |
|-------------------------|--|--|
| Model | IC-CN-0219S | IC-CN-0289S |
| Power | 526 W | 726 W |
| Max Bin Capacity | 79.4 lbs / 36 kg | 79.4 lbs / 36 kg |
| Max Production Per Day | 209.4 lbs / 95 kg | 280 lbs / 127 kg |
| Electrical | 115V / 60Hz / 1Ph | |
| Ice Shape | Half Cube 13 x 22 x 22 3/32 - Full Cube: 22 x 22 x 22 mm | |
| Max Ambient Temperature | 5 - 40°C / 41 - 104°F | |
| Condenser Unit | Air | |
| Refrigerant | R290 | |
| Net Weight | 127.9 lbs / 58 kg | 132.3 lbs / 60 kg |
| Gross Weight | 145.5 lbs / 66 kg | 147.7 lbs / 67 kg |
| Net Dimensions (WDH) | 26" x 27" x 38.2" / 660 x 685 x 970 mm | 26" x 27" x 38.2" / 660 x 685 x 970 mm |
| Gross Dimensions (WDH) | 30.7" x 29.3" x 35.4" / 780 x 745 x 900 mm | 30.7" x 29.3" x 35.4" / 780 x 745 x 900 mm |

TECHNICAL DRAWING

(Measurements in diagrams are in inches)



47484 / 47774

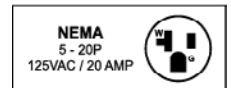
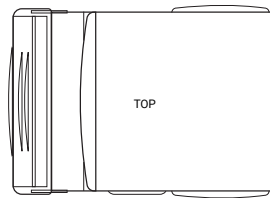


SPECIFICATION

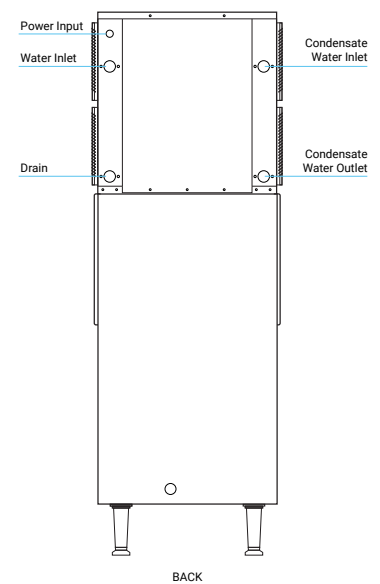
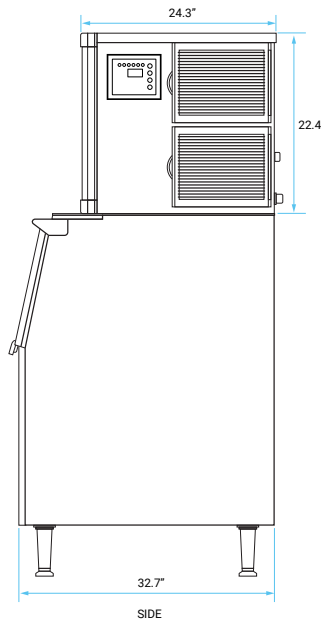
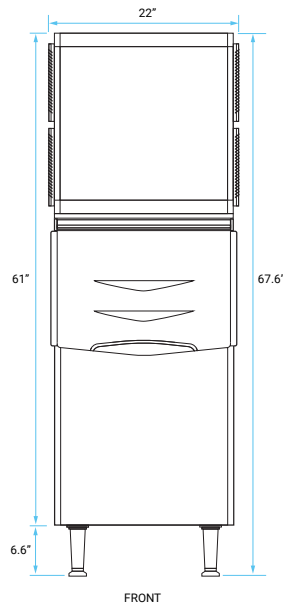
| | 47485 | 46452 |
|----------------------------|---|---|
| Model | IC-CN-0329 | IC-CN-0529 |
| Power | 790 W | 1113 W |
| Max Bin Capacity | 275 lbs / 125 kg | 375 lbs / 170 kg |
| Max Production Per Day | 350 lbs / 160 kg | 500 lbs / 225 kg |
| Electrical | 115V / 60Hz / 1Ph | |
| Ice Shape | Half Cube 13 x 22 x 22 3/32 - Full Cube: 22 x 22 x 22 mm | |
| Max Ambient Temperature | 5 - 40°C / 41 - 104°F | |
| Condenser Unit | Air | |
| Refrigerant | R290 | |
| Net Weight | Machine: 110.2 lbs / 50 kg - Bin: 77.2 lbs / 35 kg | Machine: 65 kg - Bin: 45 kg |
| Gross Weight | Machine: 119 lbs / 54 kg - Bin: 88.2 lbs / 40 kg | Machine: 70 kg - Bin: 50 kg |
| Machine Head (WDH) | 22" x 24.3" x 22.4" / 560 x 618 x 568 mm | 29.9" x 24" x 22" / 760 x 618 x 568 mm |
| Ice Bin (WDH) | 22" x 32.7" x 45.3" / 560 x 830 x 1150 mm | 29.9" x 32.7" x 45" / 760 x 830 x 1150 mm |
| Net Dimensions (WDH) | 22" x 32.7" x 67.6" / 560 x 830 x 1718 mm | 29.9" x 32.7" x 67.6" / 760 x 830 x 1718 mm |
| Packaging Dimensions (WDH) | Machine: 25.8" x 29.5" x 24.4" / 655 x 750 x 620 mm Bin: 25.4" x 35" x 41.5" / 645 x 890 x 1055 mm | Machine: 33" x 29.5" x 24" / 845 x 750 x 620 mm Bin: 33.4" x 35" x 41.5" / 850 x 890 x 1055 mm |

TECHNICAL DRAWING

(Measurements in diagrams are in inches)



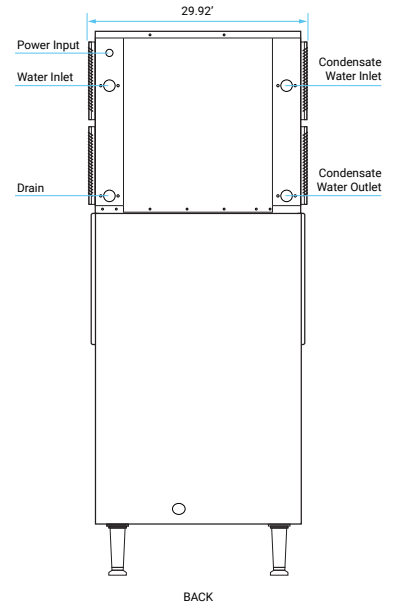
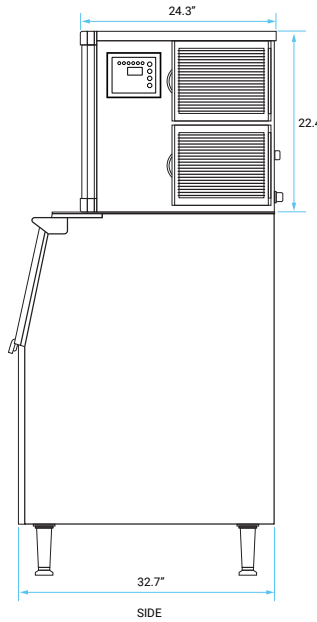
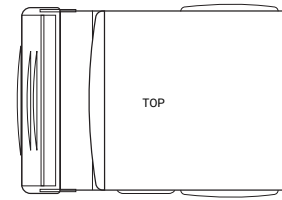
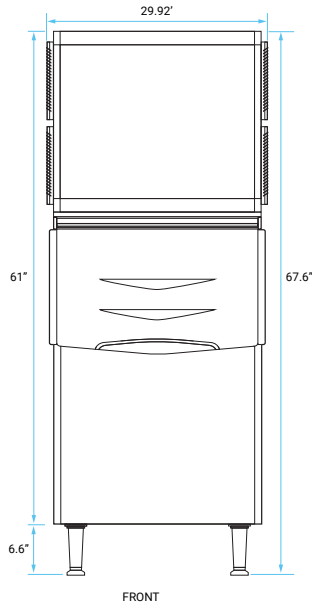
47485



TECHNICAL DRAWING

(Measurements in diagrams are in inches)

46452



• Digital display



• Large capacity storage



• Adjustable feet



• Full cube/ half cube ice