

14.5" Blade Volano Manual Slicer With Standard Flywheel

ITEM: 46088
MODEL: MS-IT-0370-S

Durable and consistent

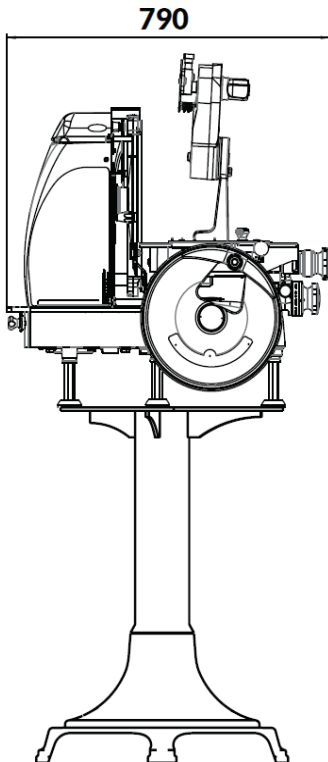
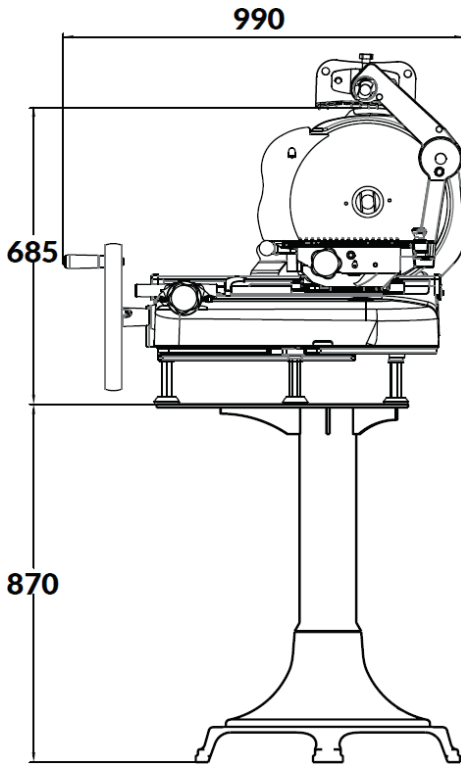
These slicers are built for durability and consistent slicing. Its manual function that is operated entirely by hand still assures high quality performance and maximum safety. Thin and perfectly cut slices of your product are produced by using this slicer.

FEATURES:

- Precise slice-thickness knob assures very thin slices
- Pusher prevents the displacement of the product
- Easy to operate and clean
- Fully hand-operated



TECHNICAL DRAWINGS



Technical Specification

Item	46088
Model	MS-IT-0370-S
Blade Size	14.5" (370 mm)
Cutting Size	<input type="checkbox"/> 11.4" x 10.2" (290 x 260 mm) <input type="checkbox"/> 10.2" (260 mm)
Cut Thickness	0 - 0.15" (0 - 4 mm)
Net Weight	176.3 lb. (80 kg.)
Net Dimensions (WDH)	31.1" x 39" x 27" (790 x 990 x 685 mm)
Gross Weight	396.8 lb. (180 kg.)
Gross Dimensions (WDH)	43.3" x 43.4" x 46.5" (1100 x 1100 x 1180 mm)

