



REFRIGERATION

SERVING THE FOOD INDUSTRY SINCE 1951

53-INCH 2- SLIDING GLASS DOOR COOLERS

Item: 50032 Model: RE-CN-0045-HC | Item: 51032 Model: RE-CN-0045-HC-BK

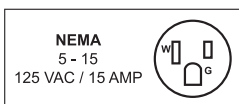
THE PERFECT SOLUTION TO EXHIBIT COLD MERCHANDISE



Omcan's 53-inch 2-door sliding glass coolers are perfect for your products, with the outside material made from painted steel. Its crystal clear door is perfect to see the products inside. It also features automatic defrosting and high density polyurethane insulation. Energy Certified. Warranty: 2 year parts and labor and 5 years parts only on compressor



WARRANTY
2 YEARS PARTS & LABOUR
5 YEARS PARTS ON COMPRESSOR



Authorized Dealer

REFRIGERATION

53-INCH 2-DOOR SLIDING GLASS COOLER 50032



TECHNICAL SPECIFICATION

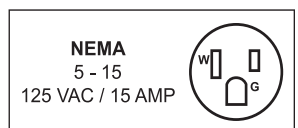
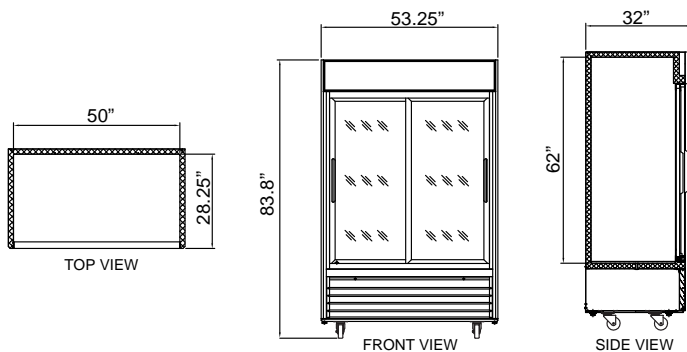
ITEM NUMBER	50032
MODEL	RE-CN-0045-HC
DESCRIPTION	2-Door Sliding Glass Cooler
TEMPERATURE RANGE	0°C - 5°C / 33°F - 41°F
MAX AMBIENT TEMP RATING	32°C / 90°F
POWER	0.25+ HP
PHASE	1
ELECTRICAL	110V/60Hz/1Ph
AMPS	4.3
REFRIGERANT	R290
COOLING SYSTEM	Ventilated
NUMBER OF DOORS	2
NUMBER OF SHELVES	8
NET VOLUME	45 cu.ft./ 1270 liters
SHELF CAPACITY	90 lbs. / 41 kg.
EXTERIOR DIMENSIONS (WDH)	53.25" x 32" x 83.8" 1353 x 813 x 2129 mm
INTERIOR DIMENSIONS (WDH)	50" x 28.25" x 62" 1270 x 718 x 1575 mm
PACKAGING DIMENSIONS	56.3" x 33.46" x 84" 1430 x 850 x 2134 mm
NET WEIGHT	441 lbs. / 200 kg.
GROSS WEIGHT	496 lbs. / 225 kg.



Features:

- Outside material: Painted steel
- Plastic coated steel shelves with shelf tag holder
- Automatic defrosting
- Polyurethane insulation
- Removable door gasket
- Removable installation board for easy maintenance
- Shelf Capacity: 90 lbs. / 41 kg.
- Temperature range: 0°C - 5°C / 33°F - 41°F

TECHNICAL DRAWING AND DIMENSIONS



Authorized Dealer

Telephone: 1-800-465-0234
 Fax: (905) 607-0234
 Email: sales@omcan.com
 Website: www.omcan.com



REFRIGERATION

53-INCH 2-DOOR SLIDING GLASS COOLER 51032



TECHNICAL SPECIFICATION

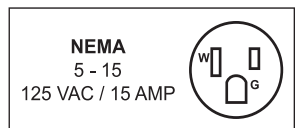
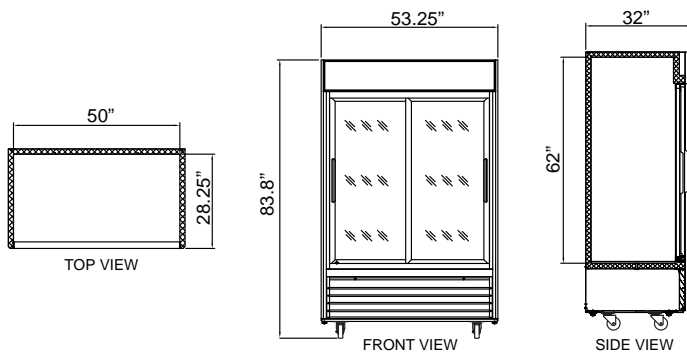
ITEM NUMBER	51032
MODEL	RE-CN-0045-HC-BK
DESCRIPTION	2-Door Sliding Glass Cooler
TEMPERATURE RANGE	0°C - 5°C / 33°F - 41°F
MAX AMBIENT TEMP RATING	32°C / 90°F
POWER	0.25+ HP
PHASE	1
ELECTRICAL	110V/60Hz/1Ph
AMPS	4.3
REFRIGERANT	R290
COOLING SYSTEM	Ventilated
NUMBER OF DOORS	2
NUMBER OF SHELVES	8
NET VOLUME	45 cu.ft. / 1270 liters
SHELF CAPACITY	90 lbs. / 41 kg.
EXTERIOR DIMENSIONS (WDH)	53.25" x 32" x 83.8" 1353 x 813 x 2129 mm
INTERIOR DIMENSIONS (WDH)	50" x 28.25" x 62" 1270 x 718 x 1575 mm
PACKAGING DIMENSIONS	56.3" x 33.46" x 84" 1430 x 850 x 2134 mm
NET WEIGHT	441 lbs. / 200 kg.
GROSS WEIGHT	496 lbs. / 225 kg.



Features:

- Outside material: Painted steel
- Plastic coated steel shelves with shelf tag holder
- Automatic defrosting
- Polyurethane insulation
- Removable door gasket
- Removable installation board for easy maintenance
- Shelf Capacity: 90 lbs. / 41 kg.
- Temperature range: 0°C - 5°C / 33°F - 41°F

TECHNICAL DRAWING AND DIMENSIONS



Authorized Dealer

Telephone: 1-800-465-0234
 Fax: (905) 607-0234
 Email: sales@omcan.com
 Website: www.omcan.com

