

BakeMax America BAFA Series Gas Hot Plate

The BakeMax America BAFA Series Gas Hot Plate is designed to provide the ultimate in performance and durability. As with all our heavy-duty countertop equipment, they are built to the highest commercial standards to ensure years of trouble-free service, featuring superior frame construction and stainless-steel exterior for easy maintenance. Combine all of this and our affordable prices and you have the best value for your budget.



Model BAFA4M-24






Features

- Available in 12", 24", and 36" Widths
- Durable Stainless-Steel Body that is very Easy to Clean
- Compact Design for Countertop Use
- 12" x 12" Removable Heavy-duty Cast-Iron Top Grates that are designed for easy movement of pots across top sections.
- 6" Deep Front Stainless-Steel bullnose-rail is safely flush with the cook tops and functional to straddle pots, skillets and plates and serves as control protection.
- Large 7" Flame Spread offers a more efficient burn pattern for small to large pots.
- Cast Iron Double Burners for Peak Performance
- Easy-to-Light Pilot at the side of Each Burner
- Independent Controls for Each Burner
- 4" Adjustable Polished Chrome Steel Legs
- Full Width Grease Catch Tray that funnels into a removable pan for easy cleaning
- 3/4" Rear Gas Connection
- Gas Appliance Regulator Included
- LP conversion kit Included
- 2-Year Limited Warranty

** Due to continuous product improvement, specifications are subject to change without notice.

BakeMax[®] / Titan Ventures International Inc.

Warehouses:

20 Caribou St, Moncton, NB E1H 0P3 
5705 Valley Belt Rd Independence, OH 44131 
1201 E 27th Terrace Pittsburg, KS 66762 

Toll Free: 1-800-565-BAKE (2253)

Phone: 506-858-8990

Fax: 506- 859-6929

Email: Sales@BakeMax.com

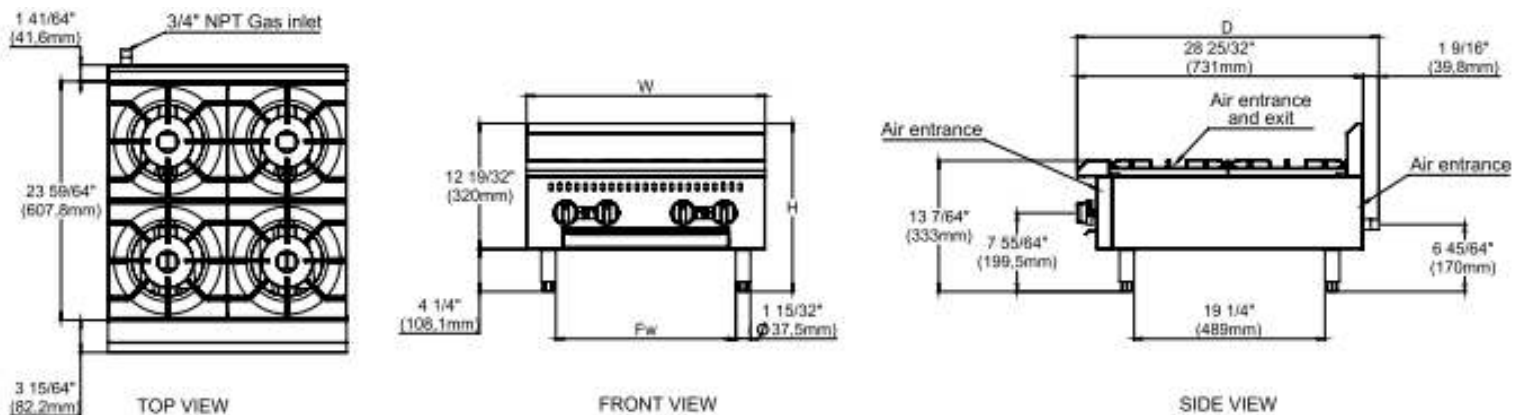
BakeMax America BAFA Series Gas Hot Plate

Technical Specifications & Drawings

Model	Width	Depth	Height	Burners	BTU NG	BTU LP	Orifice #	
							NG	LP
BAFA2M-12	12"	30.5"	17"	2	50,000	50,000	40	53
BAFA4M-24	24"	30.5"	17"	4	100,000	100,000	40	53
BAFA6M-36	36"	30.5"	17"	6	150,000	150,000	40	53

Shipping Information

Model	Net Weight	Crated Weight	Crated Dimensions (D x W x H)
BAFA2M-12	70lbs. / 32kg	93 lbs. / 42 Kg	34.25" x 16.25" x 18.5"
BAFA4M-24	121lbs. / 55kg	154 lbs. / 70 Kg	34.25" x 28.1" x 18.5"
BAFA6M-36	176lbs. / 80kg	218lbs. / 99 Kg	34.25" x 41" x 18.5"



***Warning:** The minimum supply pressure on this appliance must be set at 4 water column inches for natural gas and 10 water columns for propane gas. Each unit has a 3/4" gas connect at the rear of the appliance.

BakeMax[®] / Titan Ventures International Inc.

Warehouses:

20 Caribou St, Moncton, NB E1H 0P3
 5705 Valley Belt Rd Independence, OH 44131
 1201 E 27th Terrace Pittsburg, KS 66762

Toll Free: 1-800-565-BAKE (2253)
Phone: 506-858-8990
Fax: 506- 859-6929
Email: Sales@BakeMax.com