

BakeMax BMFRS Series Floor Model Reversible Sheeter

The BakeMax BMFRS Series Floor Model Reversible Sheeters are perfect for Bakeries, Pastry Shops, Hotels, Restaurants and more. They are suitable for sheeting and stretching Puff Pastry, Danish Bread, Fondant, Donut Dough, Croissants, Pie Crusts, Cookie Dough, Strudel, Marzipan, and Pizza Dough.



Features:

- Heavy-Duty Construction for Durability & Longevity
- Safety Guards with Shut-Off Switch When Lifted
- Easy-to-Use Forward and Reverse Controls either by Directional Control Lever or by Included Foot Pedal
- Adjustable Thickness from 3mm-30mm
- Motor Overload Protection
- Foldable Sides to Save Space when not in Use
- Stainless-Steel Rollers
- Heavy Duty Non-Stick Scrapers
- Dough Catch Pans located on each end of the sheeter
- Synchronized Infeed & Outfeed
- 1-Year Limited Warranty



Control Lever for Thickness

Safety Guard

Catch Tray

Directional Lever (Forward & Reverse)

Catch Tray






Included Foot Pedal to Control Direction

** Due to continuous product improvement, specifications are subject to change without notice.

BakeMax[®] / Titan Ventures International Inc.

Warehouses:

20 Caribou St, Moncton, NB E1H 0P3 
5705 Valley Belt Rd Independence, OH 44131 
1201 E 27th Terrace Pittsburg, KS 66762 

Toll Free: 1-800-565-BAKE (2253)

Phone: 506-858-8990

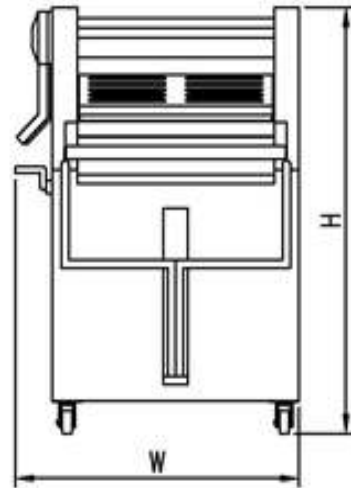
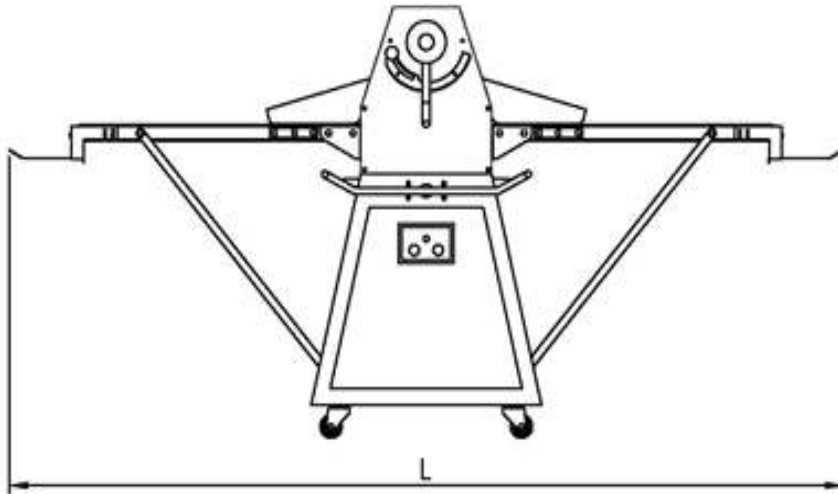
Fax: 506- 859-6929

Email: Sales@BakeMax.com

BakeMax BMFRS Series Floor Model Reversible Sheeter

Technical Specifications

Model	Exterior Dimensions (WDH)	Electrical	Nema Code	Net Weight
BMFRS01	32" x 83" x 44"	220v / 1Ph / 7.8A / 60Hz / 1HP	6-15P	344 lbs.
BMFRS02	36" x 83" x 44"	220v / 1Ph / 7.8A / 60Hz / 1HP	6-15P	388 lbs.
BMFRS03	40" x 99" x 44"	220v / 1Ph / 7.8A / 60Hz / 1HP	6-15P	476 lbs.



Model	Belt Dimensions	Roller Size
BMFRS01	17" W x 79" L	3.5" x 17.7"
BMFRS02	20.5" W x 79" L	3.5" x 20.5"
BMFRS03	25" W x 95" L	3.5" x 25.6"



Easily folds to save space when not in use

Shipping Specifications

Model	Crated Dimensions (WDH)	Shipping Weight
BMFRS01	42" x 32" x 75"	502 lbs.
BMFRS02	42" x 32" x 75"	546 lbs.
BMFRS03	48" x 32" x 82"	660 lbs.

BakeMax[®] / Titan Ventures International Inc.

Warehouses:

20 Caribou St, Moncton, NB E1H 0P3
 5705 Valley Belt Rd Independence, OH 44131
 1201 E 27th Terrace Pittsburg, KS 66762

Toll Free: 1-800-565-BAKE (2253)
Phone: 506-858-8990
Fax: 506- 859-6929
Email: Sales@BakeMax.com