

BakeMax BMGG019 Refrigerated Display Case

The BakeMax BMGG019 Refrigerated Display Case is ideal for restaurants, cafes, convenience stores and or bakeries. BakeMax Refrigerated Floor Display Cases are perfect for your customers to see what products are for sale. This display case has brilliant internal LED lighting to clearly display your foods on each shelf. It also features digital temperature controls to dial in your desired temperature for your product.



Features:

- Brilliant Internal LED Illumination on Each Shelf
- Digital Temperature Controller and Display Temperature Range of 2-10°C / 36-50°F
- Stainless-Steel Shelves Lit by LED
- 4 Casters with 2 Brakes
- Double-Layered Tempered Glass
- Night Curtain for Overnight Storage
- Ventilated Cooling System
- Automatic Defrost
- Stainless-Steel Construction
- Condensation Water gets Evaporated Automatically for a Maintenance Free Design
- 1-Year Limited Warranty




MODEL	BMGG019
Capacity(L)	220
Temperature Range	2-10°C / 36-50°F
Rated Input Power(W)	1340 / 1300
Refrigerant	R404a / R290
Type of Climate	6
Net Weight	96kg / 212lbs.
Packaged Weight	106kg / 234lbs.
Overall Dimension (WDH)	19" x 26.5" x 69"
Package Dimension (WDH)	22" x 28" x 75"
Electrical	115V / 1 Phase 11.6A / 1260W NEMA 5-15 Plug
No. Of Shelves	3



** Due to continuous product improvement, specifications are subject to change without notice.

BakeMax® / Titan Ventures International Inc.

Warehouses:

20 Caribou St, Moncton, NB E1H 0P3 
5705 Valley Belt Rd Independence, OH 44131 
1201 E 27th Terrace Pittsburg, KS 66762 

Toll Free: 1-800-565-BAKE (2253)

Phone: 506-858-8990

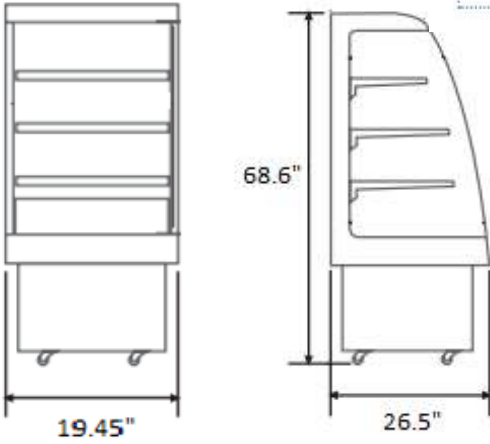
Fax: 506- 859-6929

Email: Sales@BakeMax.com

BakeMax BMGG019 Refrigerated Display Case



CONDENSER LOCATED ON THE BACK, ENSURES SUFFICIENT SPACE FOR AIR COOLING



BakeMax® / Titan Ventures International Inc.

Warehouses:
 20 Caribou St, Moncton, NB E1H 0P3
 5705 Valley Belt Rd Independence, OH 44131
 1201 E 27th Terrace Pittsburg, KS 66762

Toll Free: 1-800-565-BAKE (2253)
Phone: 506-858-8990
Fax: 506- 859-6929
Email: Sales@BakeMax.com