



SERVING THE FOOD INDUSTRY SINCE 1951

## Electric Meat Tenderizer & Strip Cutter 0.5 HP/ 370 W

ITEM: 47709

Model: MT-IT-370



### Upgrade your culinary experience with this innovative Meat Tenderizer and Cutter.

This powerful motorized machine provides a seamless preparation process.

Perfect for a variety of establishments including bistros, restaurants and catering.

### KEY FEATURES

- Stainless-steel construction is corrosion resistant providing durability and appliance longevity.
- The portable and user-friendly design is perfect for any countertop, allowing for simple operation.
- Convertable safety cover made of transparent material is removable for cleaning.
- Built-in Interlock for automatic shut-off to prevent hazardous machine
- Non-drip feet on the machine ensure stability on various surfaces, preventing tilt and hazardous situations.
- Stainless Steel IP67 waterproof ON/OFF



*Tenderizing Blade or Strip Cutter Required for the Machine.*

Telephone: 1-800-465-0234

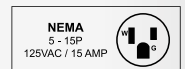
Fax: (905) 607-0234

Email: [sales@omcan.com](mailto:sales@omcan.com)

Website: [www.omcan.com](http://www.omcan.com)



Authorized Dealer



# Electric Meat Tenderizer & Strip Cutter 0.5 HP/ 370 W



## SPECIFICATION

Item	47709
Power	370 W / 0.5 HP
Electrical	120V / 60Hz / 1Ph
Current	6.4 Amp
Body Material	Stainless Steel
Drum Revolutions	110 Rpm
Feed Opening	10" x 1-3/16" 254 x 30.2 mm
Net Dimensions (WDH)	18" x 13.5" x 20" 457.2 x 342.9 x 508 mm
Gross Dimensions (WDH)	29" x 23" x 31" 736.6 x 584.2 x 787.4 mm
Net Weight	77 lbs/ 35 kg
Gross Weight	99 lbs/ 45 kg

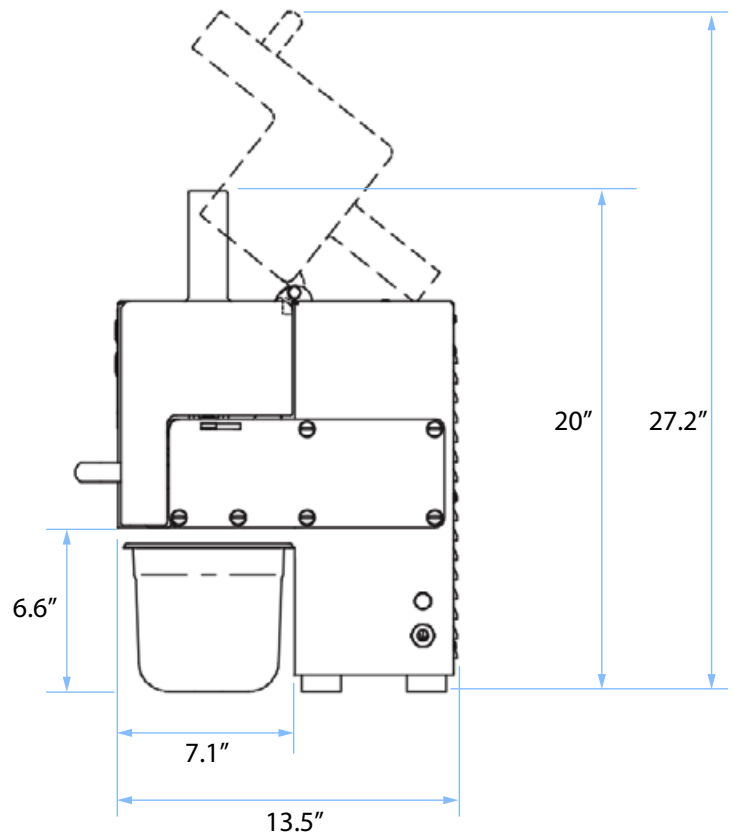
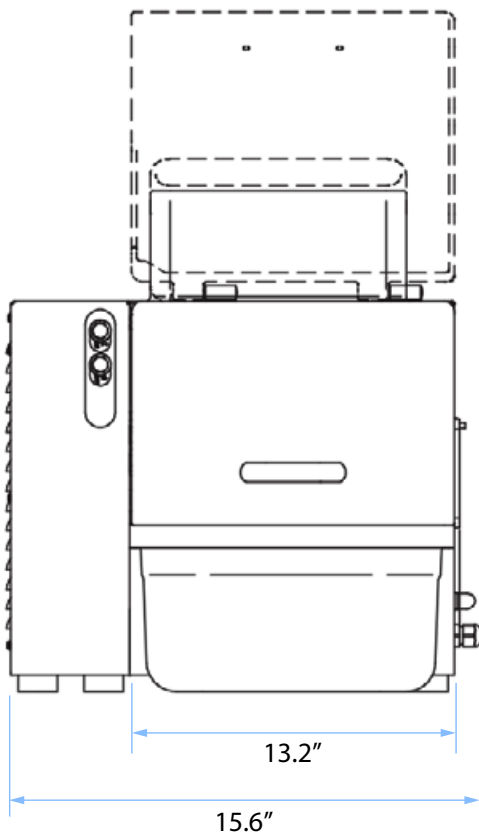
*\*Tenderizing Blade or Strip Cutter Required for the Machine.*



**Pan Included**

## DIMENSIONS

*(Measurements in diagrams are in inches)*



## **ACCESSORIES**

*(Optional)*

*\*Tenderizing Blade or Strip Cutter Required for the Machine.*



**#47710**

**Stainless Steel 96-Blade tenderizer cradle**

*Sold separtely*



**#47856**

**3/8" (10 mm) Fajita Meat Strip Cutter Cradle with 48 Blades**

*Sold separtely*

**#47857**

**5/8" (15 mm) Fajita Meat Strip Cutter Cradle with 32 Blades**

*Sold separtely*

