



SERVING THE FOOD INDUSTRY SINCE 1951

96 Cups (20 Liter) Commercial Rice Warmer

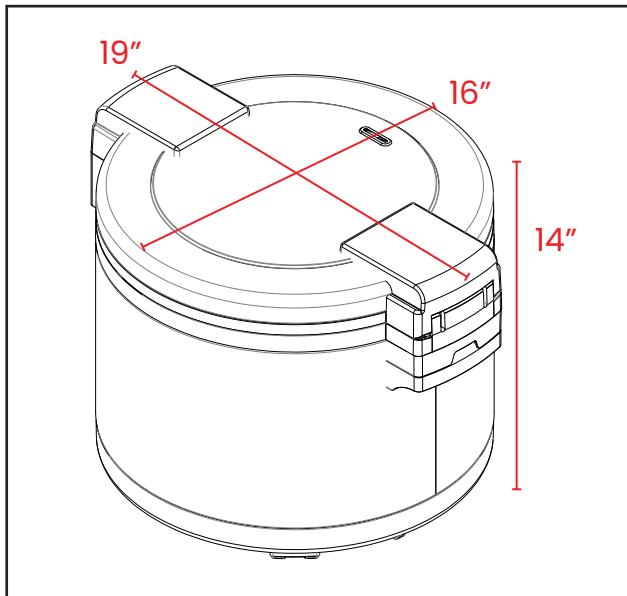
ITEM: 47770

MODEL: CE-CN-0096



Ideal for restaurants, catering events and large family functions.

Enjoy the convenience of always having warm and fluffy rice in hand with Omcans high-capacity Rice Warmer. With an impressive 96 cups capacity of cooked rice ready to serve at any time, it is perfect for commercial applications. Designed for easy use, it features a simple on/off switch, allowing for straightforward operation.



TECHNICAL SPECIFICATION

Item	47770
Model	CE-CN-0096
Rice Capacity	96 cups of cooked rice or approximately 20L
Warming Temperature	70°C
Power	103W
Electrical	120V / 60Hz / 1Ph
Weight	19.6 lb (8.9 kg)
Dimensions	19" x 16" x 14" (480 x 405 x 355 mm)
Packaging Weight	22.9 lb (10.4 kg)
Packaging Dimensions	18.5" x 18.5" x 17" (470 x 470 x 430 mm)

Telephone: 1-800-465-0234

Fax: (905) 607-0234

Email: sales@omcan.com

Website: www.omcan.com



Authorized Dealer



WARRANTY
PARTS AND LABOUR

