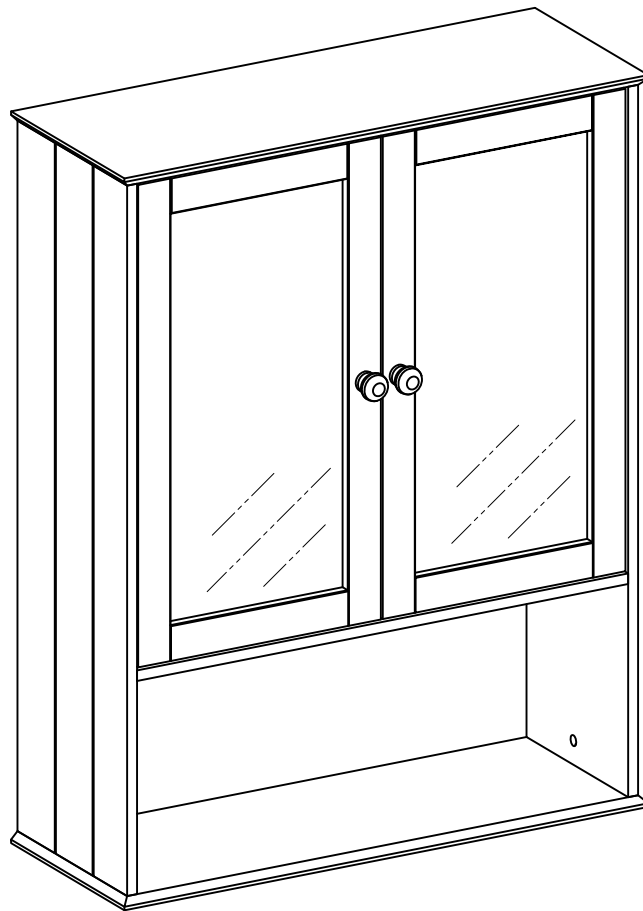




# Wall Cabinet

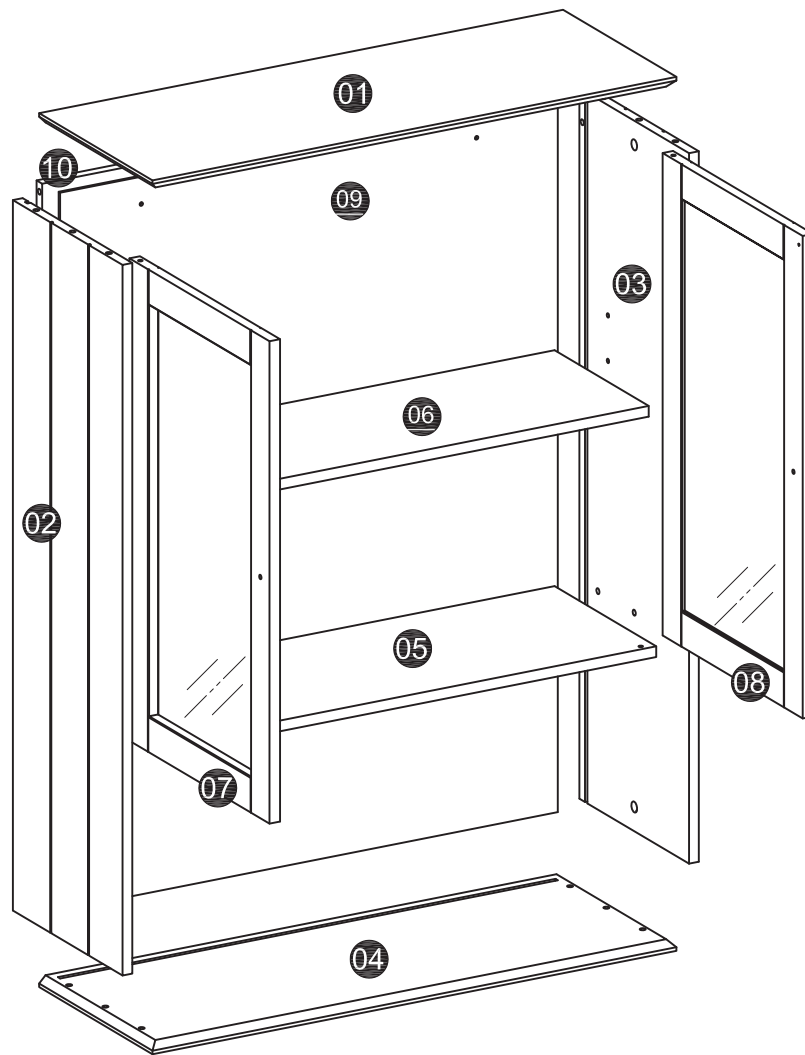
USER MANUAL | MODE D'EMPLOI | MANUAL DEL USUARIO | GEBRAUCHSANLEITUNG |  
GEBRUIKSHANDLEIDING | MANUALE PER L'UTENTE | MANUAL DO UTILIZADOR

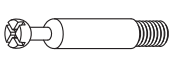

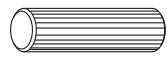
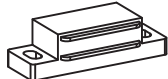

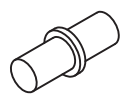




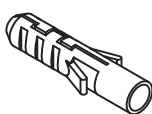
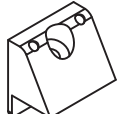

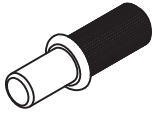


SKU:21329  
BATCH NO.:DS8076

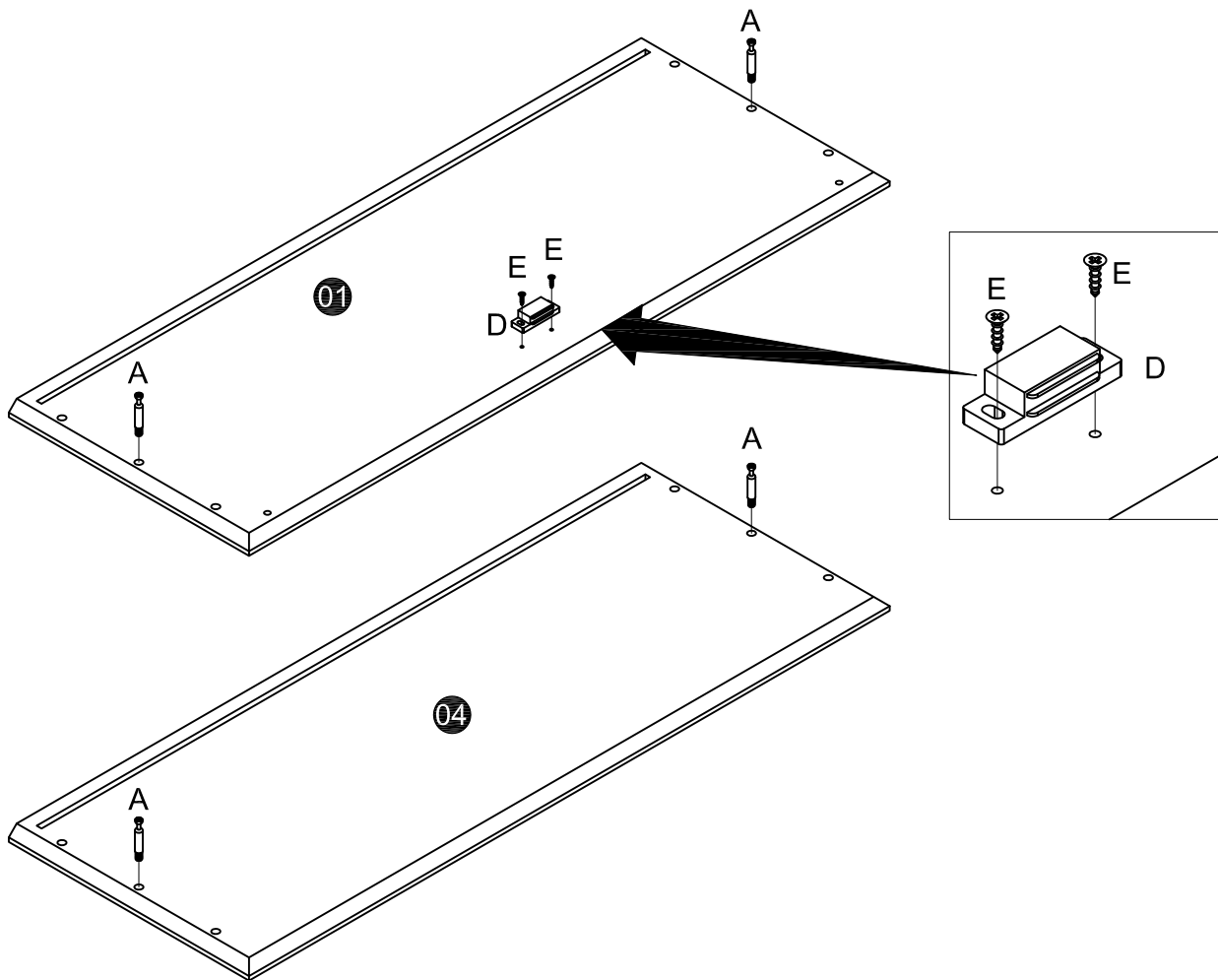
An illustration of a man standing with his hand on his chin, looking thoughtful. A large question mark is positioned above him. In the foreground, there are some wooden planks and a hammer.	<p>Please keep your original packages , due to health and safety reasons , we cannot accept returns without original packages .</p> <p>Tel:03300581588, Email: info@dreamsliving.co.uk</p> An illustration of a woman's head and shoulders, wearing a headset with a microphone.	An illustration of a man standing with his hand on his chin, looking thoughtful. To his right is a computer monitor displaying the website address yakoe.co.uk.
---	--	---

We will resolve the issues for you within 1 working day!

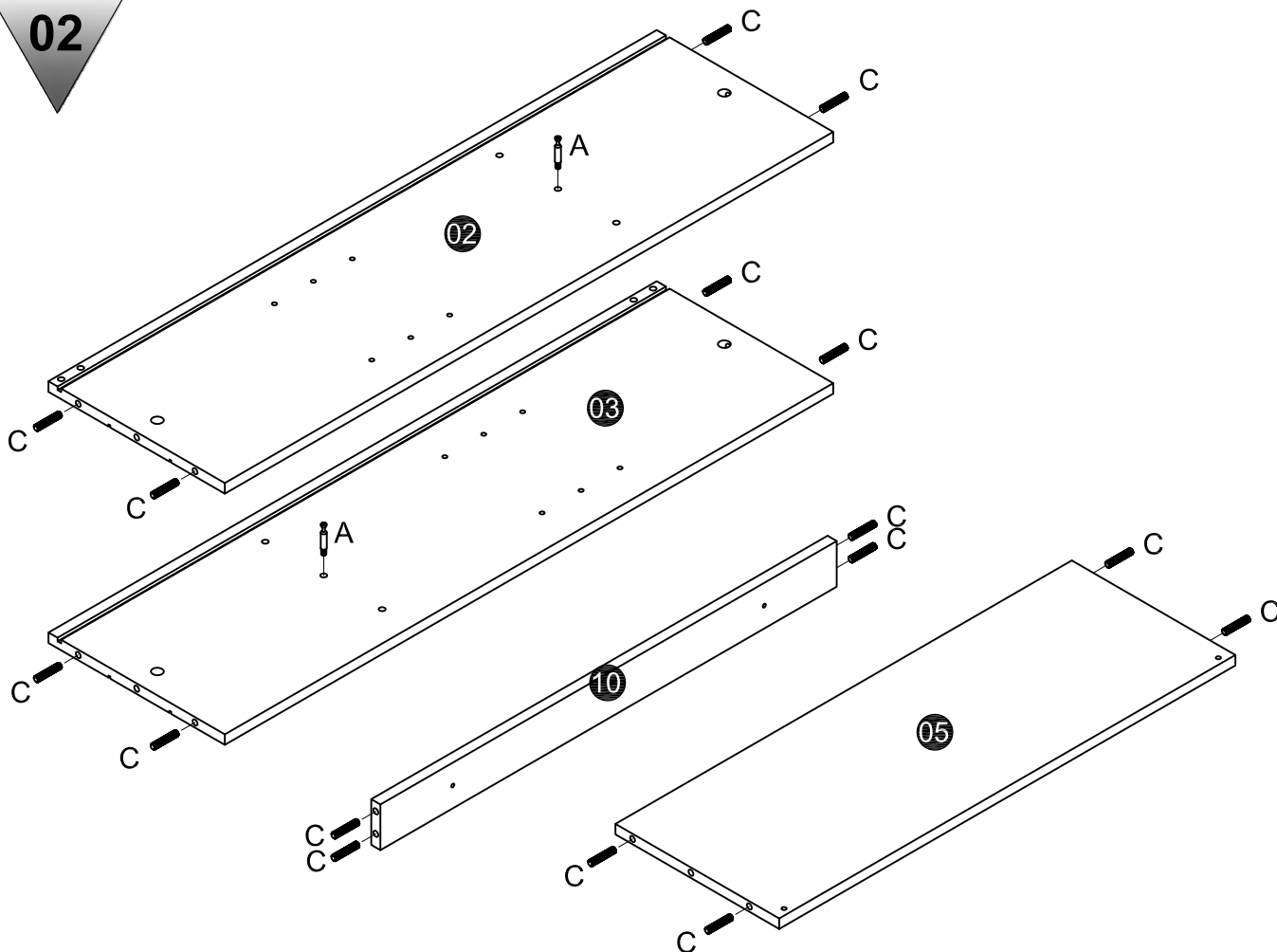


<p>A CAM lock dowel x6</p> 	<p>B CAM lock x6</p> 	<p>C Wood dowel x16 Ø6 x30mm</p> 	<p>D Magnetic catch x1</p> 	<p>E Screw x8 Ø8x10mm</p> 
<p>F Shelf support x4</p> 	<p>H Washer x 2</p> 	<p>I Handle x2</p> 	<p>J Bolt x2</p> 	<p>K Screw x2 Ø2x30mm</p> 
<p>L Wall anchor x2</p> 	<p>M Rear panel hook x4</p> 	<p>N Stickers x6</p> 	<p>O Rotating shaft x4</p> 	

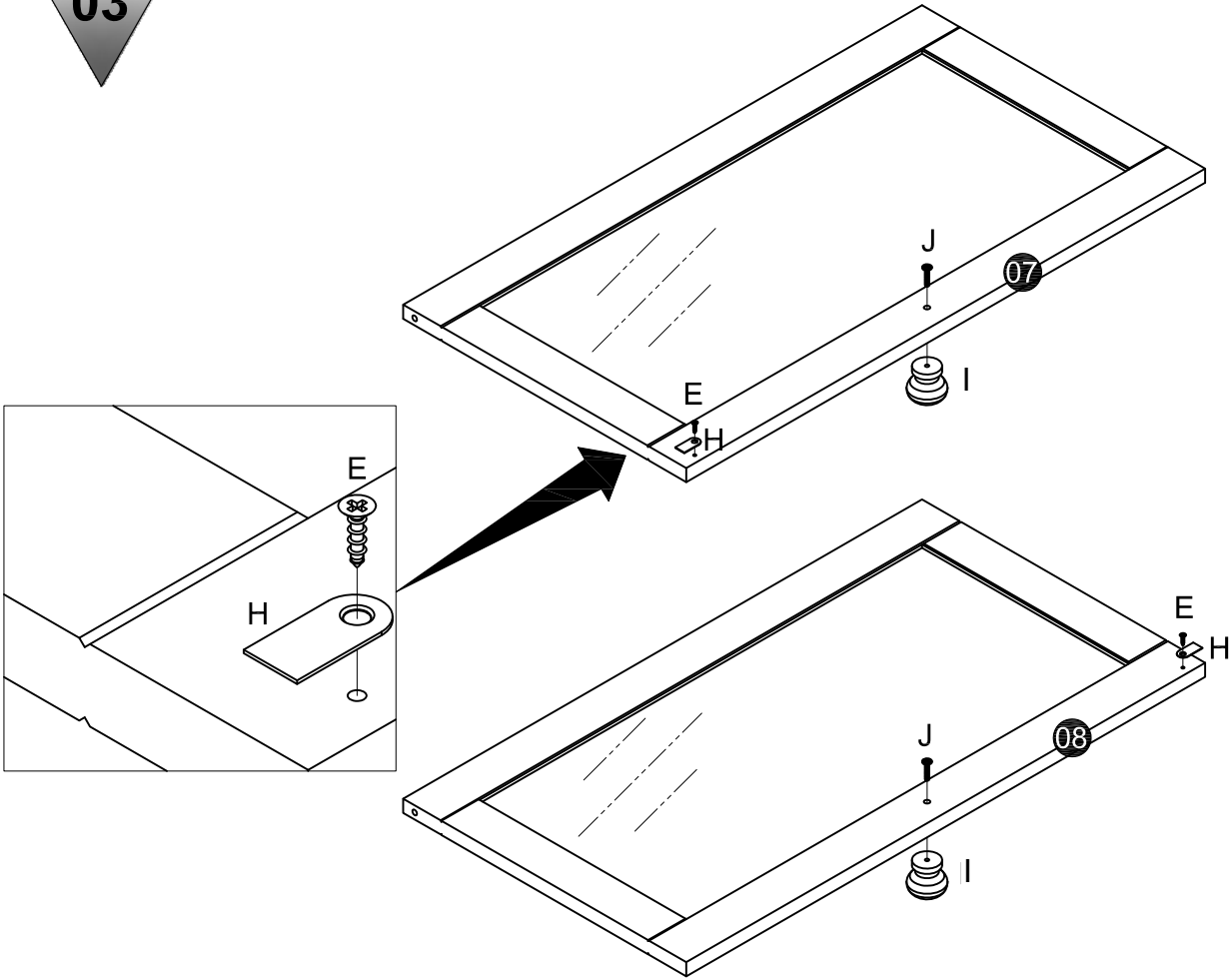
01



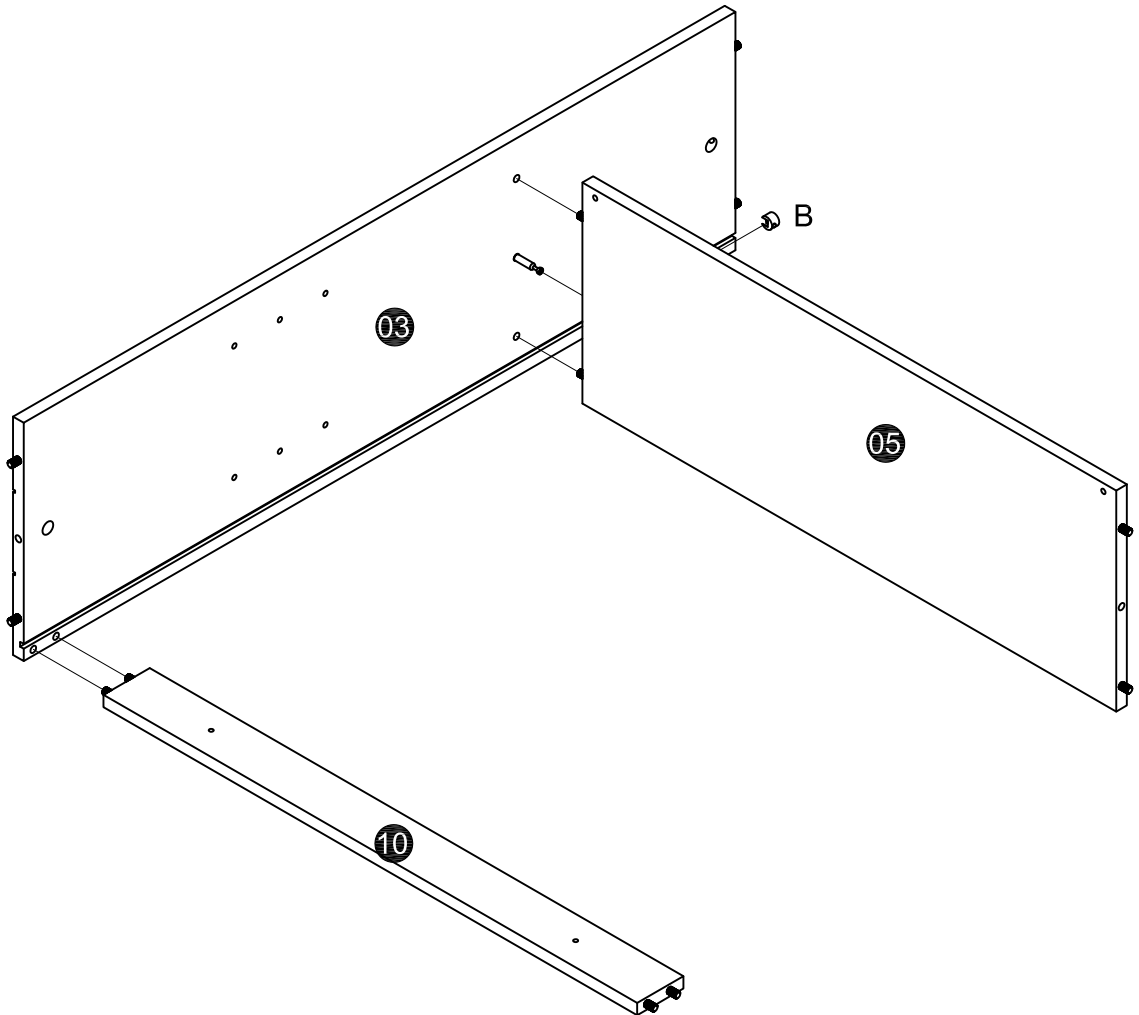
02



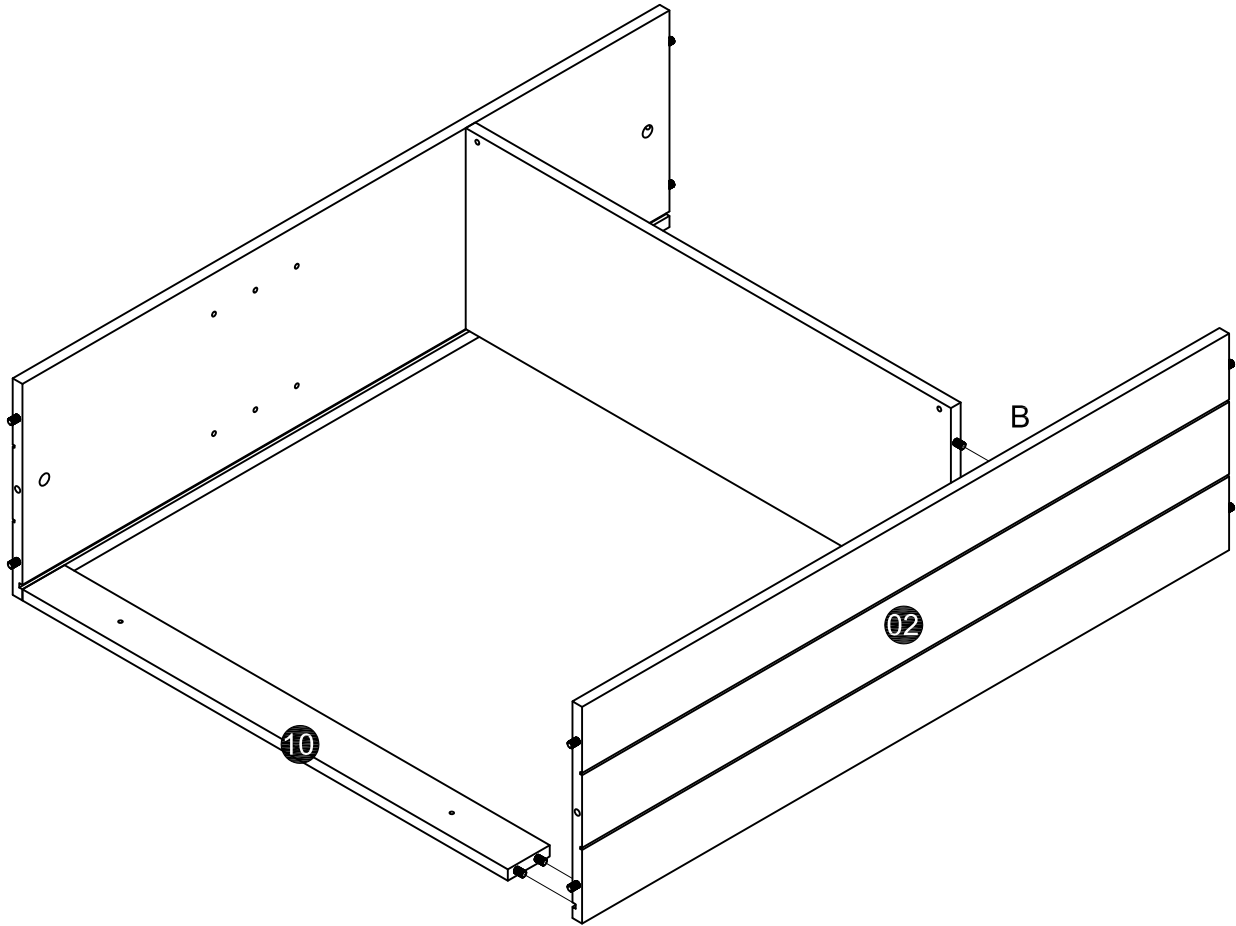
03



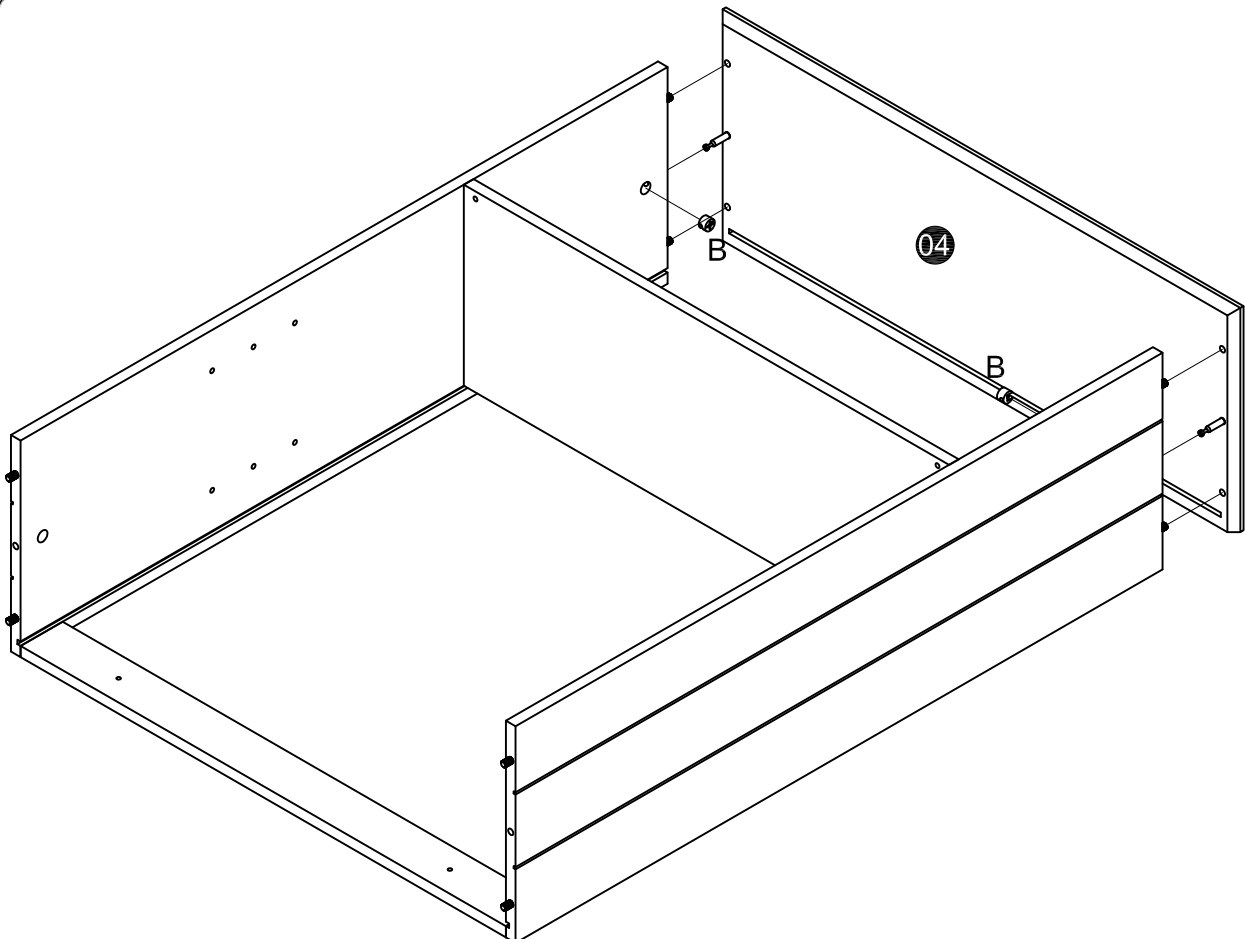
04



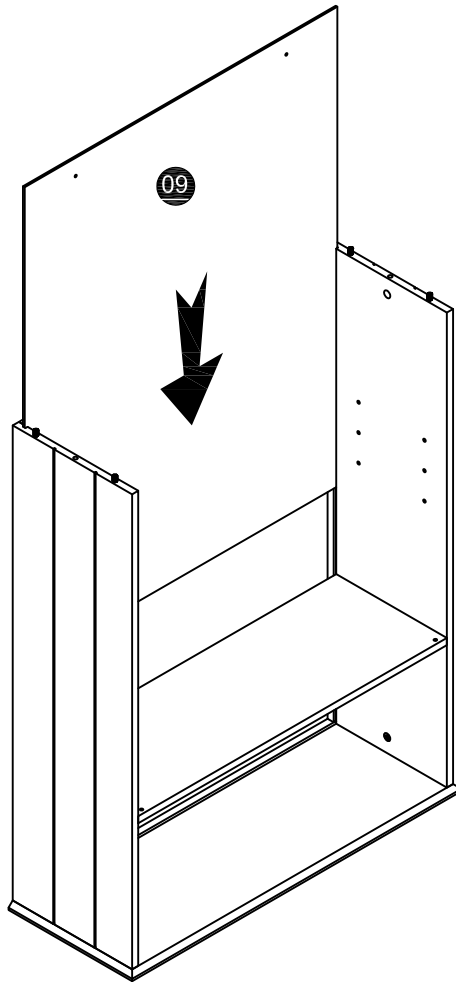
05



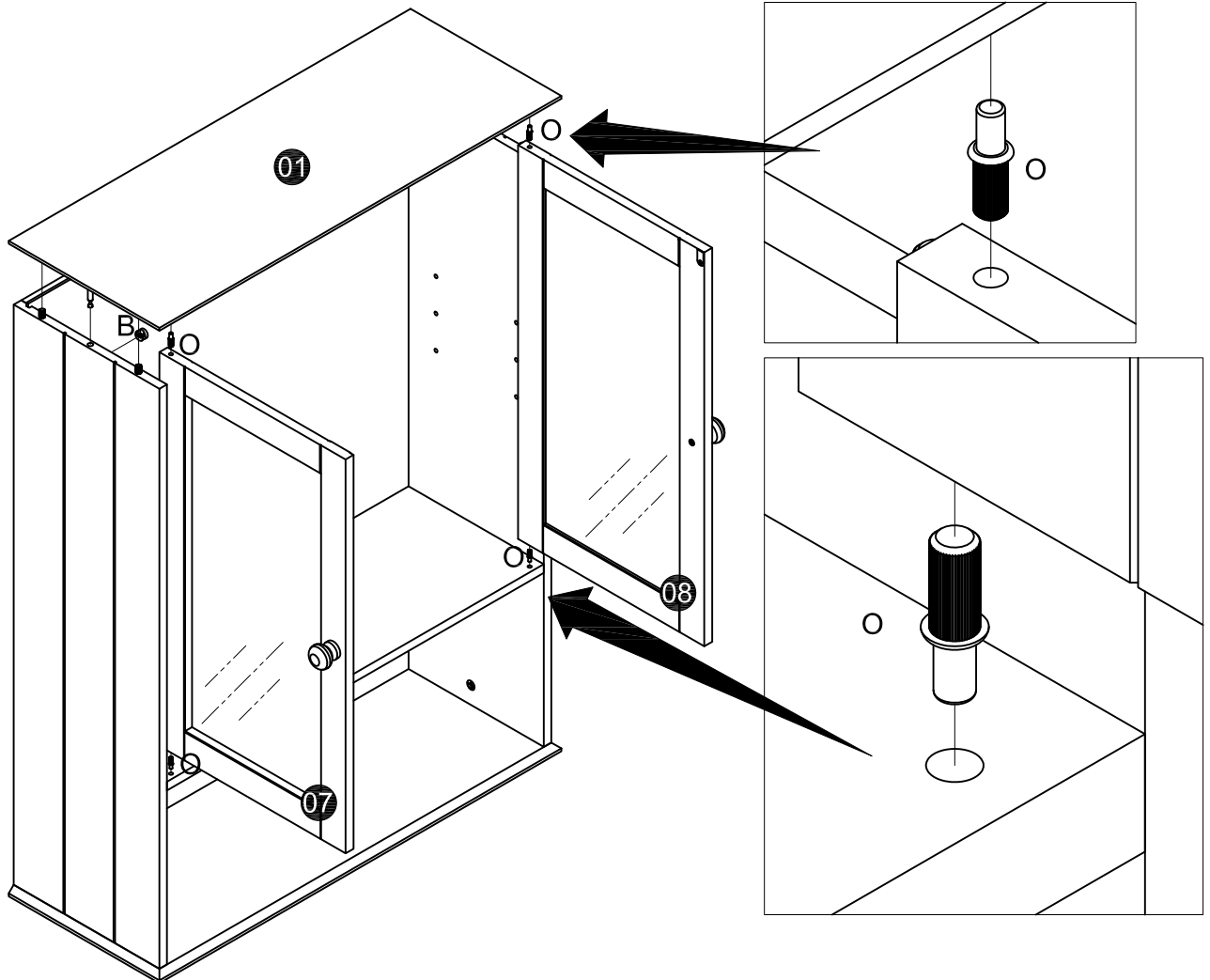
06



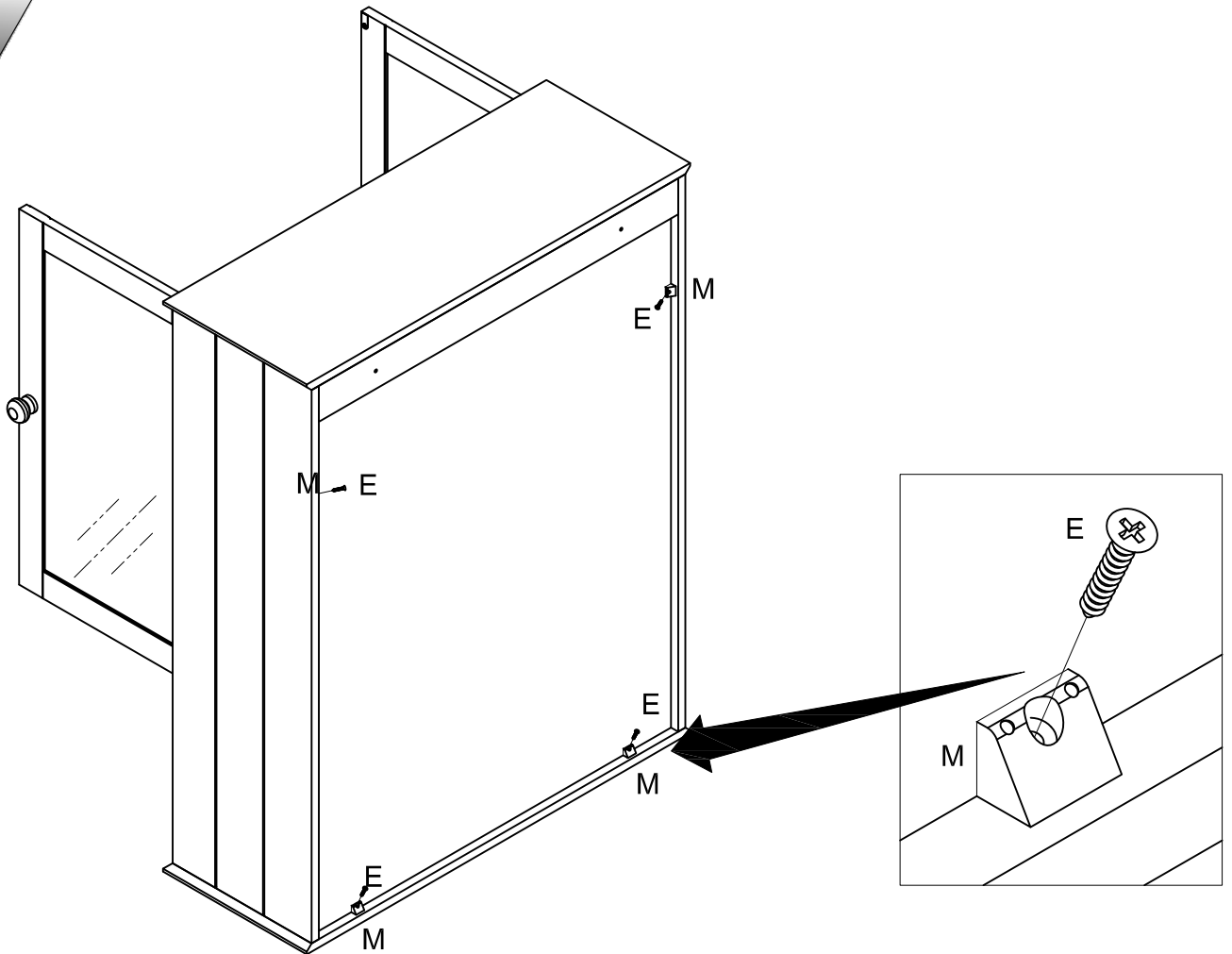
07



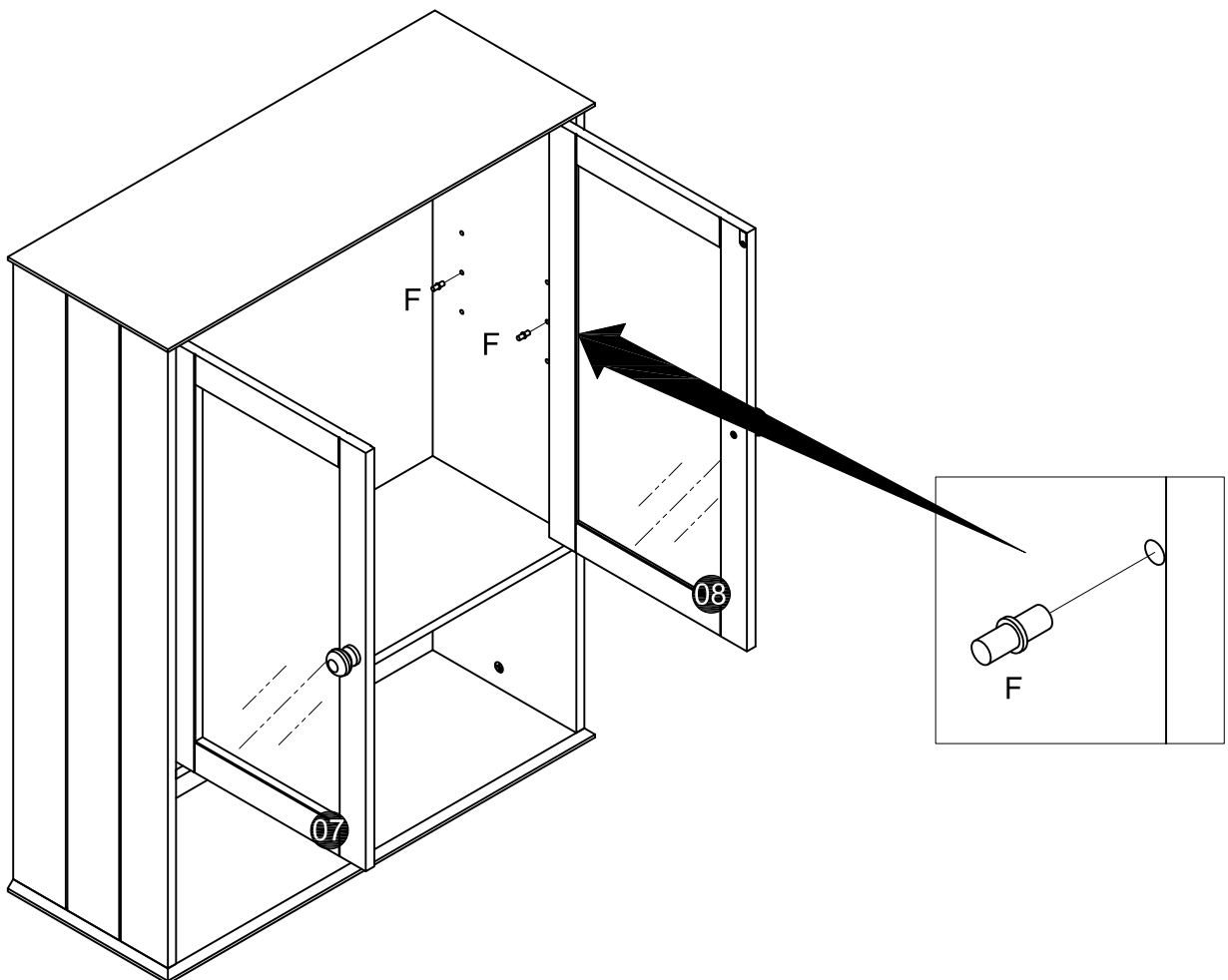
08



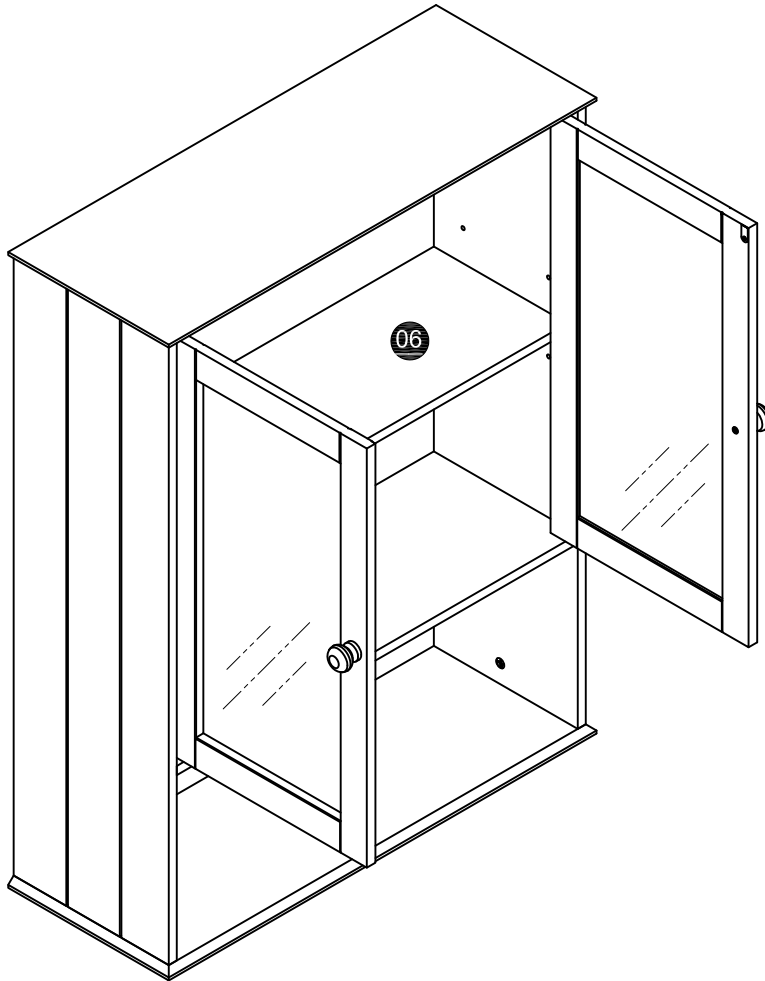
09



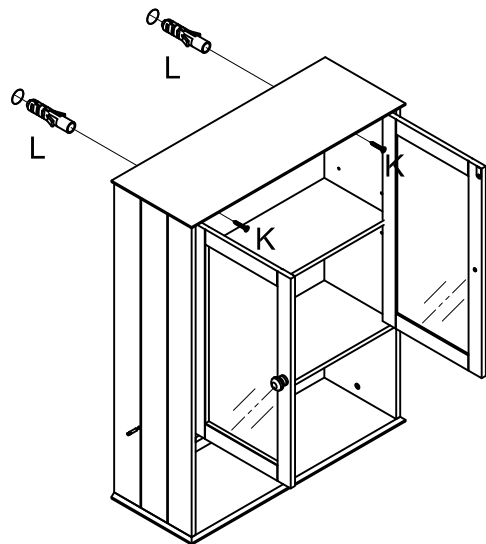
10



11



12







For assistance with assembly, or to request replacement parts, log onto our website or call Customer Service.

**DO NOT RETURN THE PRODUCT TO THE STORE.**

Si vous avez besoin d'aide pour le montage, ou pour demander des pièces de rechange, connectez-vous sur notre site Web ou appelez le service à la clientèle.

**NE RETOURNEZ PAS LE PRODUIT AU MAGASIN.**

Para obtener ayuda sobre el montaje o para solicitar piezas de repuesto, conéctese a nuestra página web o llame a Atención al cliente.

**NO DEVUELVA EL PRODUCTO A LA TIENDA.**

Wenn Sie Hilfe beim Aufbau oder Ersatzteile benötigen, melden Sie sich auf unserer Webseite an oder rufen Sie unseren Kundenservice an.

**GEBEN SIE DAS PRODUKT NICHT IM GESCHÄFT ZURÜCK.**

Als u hulp nodig heeft bij de montage of vervangende onderdelen wilt bestellen, kunt u inloggen op onze website of bellen met de klantenservice.

**BRENG HET PRODUCT NIET TERUG NAAR DE WINKEL.**

Per assistenza al montaggio, o per richiedere pezzi di ricambio, accedi al nostro sito o chiama il servizio clienti.

**NON RESTITUIRE IL PRODOTTO AL NEGOZIO.**

Para obter ajuda na montagem, ou para solicitar peças de substituição, inicie a sessão no nosso sítio da Internet ou ligue para o Serviço de Apoio ao Cliente.

**NÃO DEVOLVA O PRODUTO À LOJA.**

US,

UK:

DREAMS LIVING LIMITED. UNIT 4  
HAY HALL BUSINESS PARK 132-150  
REDFERN ROAD TYSELEY B11 2BE  
Tel:03300581588,  
Email:info@dreamsliving.co.uk

Spain:

Other European Countries: