

## SETTING UP YOUR PRODUCT

- Carefully remove all parts from packaging.
- Make sure you have all parts listed according to your model:
  - TD001 - 4 Acrylic Panels & 8 Cross Connectors
  - TD002 - 4 Acrylic Panels & 8 Cross Connectors
  - TD003 - 2 Acrylic Panels, 2 Stainless Steel Brackets & 4 Cross Connectors
  - TD004 - 2 Acrylic Panels, 2 Stainless Steel Brackets & 4 Cross Connectors
  - TD005 - 1 Acrylic Panel & 2 Stainless Steel Brackets
  - TD006 - 1 Acrylic Panel & 2 Stainless Steel Brackets
  - TD007 - 1 Acrylic Panel & 2 Stainless Steel Brackets
  - TDK001 - 3 Acrylic Panels, 4 Stainless Steel Brackets & 2 Cross Connectors
  - TDK002 - 3 Acrylic Panels, 4 Stainless Steel Brackets & 2 Cross Connectors
  - TDK003 - 7 Acrylic Panels, 8 Stainless Steel Brackets & 6 Cross Connectors
  - TDK004 - 7 Acrylic Panels, 8 Stainless Steel Brackets & 6 Cross Connectors
  - TDK005 - 7 Acrylic Panels, 8 Stainless Steel Brackets & 6 Cross Connectors
- To assemble, insert L-Bracket (a) into Bracket Housing (b) at an angle as shown in Figure 1. If part is already assembled, simply loosen the L-Bracket (a) by unscrewing the bottom screw (c) with M2.5 Allen Key.
- Place Bracket Housing (b) on the edge of table. Push L-Bracket (a) up against the bottom of the table as shown in Figure 2. While clamping the Bracket Housing (b) and L-Bracket (a) against table, tighten the bottom screw (c).
- Repeat with other bracket if applicable.
- Loosen top screw (e). Place Acrylic Panel (d) inside the Bracket Housing (b) and tighten top screw (e) as shown in Figure 3.
- Be careful as to not over-tighten the screws.
- Use the Cross Connector (f) to attach additional panels together as shown in Figure 4.

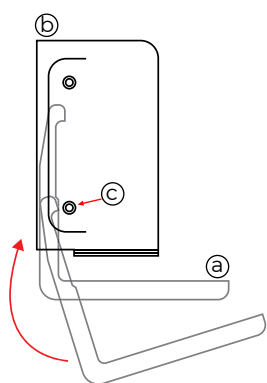


Figure 1

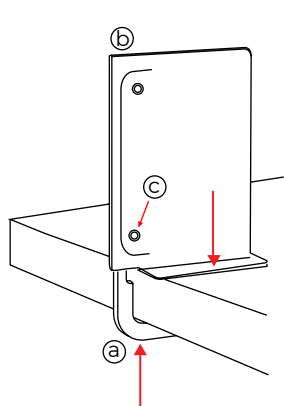


Figure 2

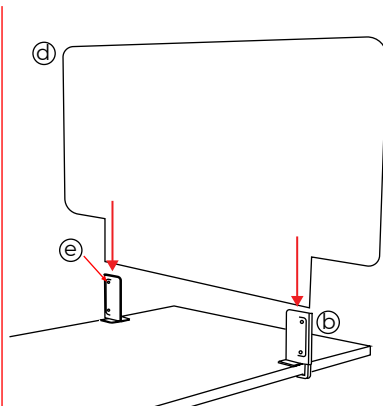


Figure 3

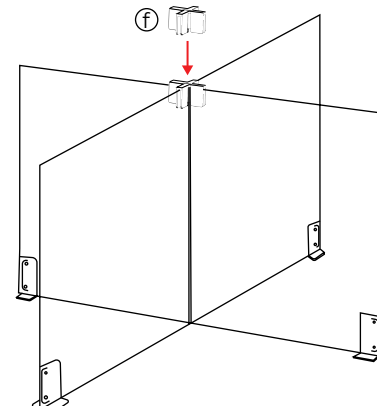


Figure 4

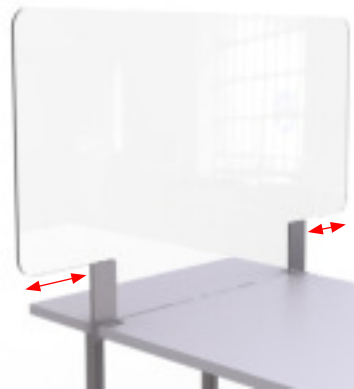
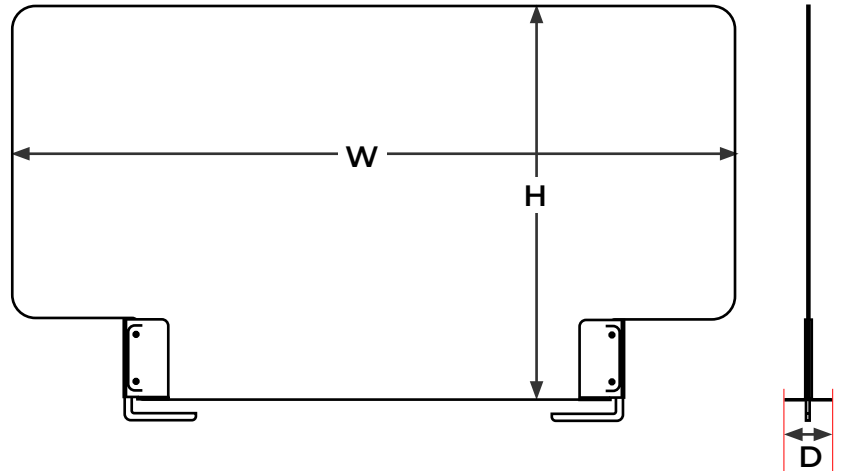


## SPECIFICATIONS

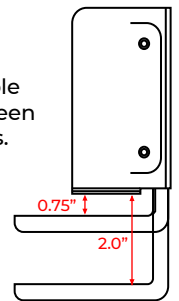
Material: 0.16IN Clear Acrylic		
Item Number	Dimension W x D x H (IN)	Fits Table Width (IN):
TD001	17.84x0.16x20	-
TD002	24.82x0.16x20	-
TD003	18.33x2.25x20	-
TD004	21.26x2.25x20	-
TD005	36x2.25x20	24
TD006	42.79x2.25x20	30
TD007	48.8x2.25x20	36
Kits		
TDK001	42x30x20	42x30
TDK002	36x36x20	36x36
TDK003	24x72x20	24x72
TDK004	30x72x20	30x72
TDK005	36x72x20	36x72

## REPLACEMENT PARTS

Item Number	Description	Material
TDC001	Cross Connector	Polypropylene
SM358	Bracket	Stainless Steel
SMM038	Screw	Stainless Steel



L-Bracket can be adjusted to fit table thicknesses between 0.75" to 2.0" inches.



The acrylic panel in TD005, TD006, and TD007 extends past the table approximately 6 inches to create barrier between people sitting next to each-other.

## CLEANING & CARE INSTRUCTIONS

- DO NOT put any part of the unit through dishwasher or dryer machine.
- DO NOT use any abrasive materials such as scrapers or metal-based brushes.
- DO NOT use harsh chemicals or abrasive cleaners.

### Acrylic Care:

To maintain the quality of your sneeze guard, wash all parts in warm water with a mild soap. Rinse thoroughly with clean, cold water. Dry with a soft sponge or cloth to prevent water spots.

### Stainless Steel Care:

Metal Care: Wipe down with damp microfiber cloth and always wipe dry with a microfiber cloth. Store in a dry and well-ventilated place.

